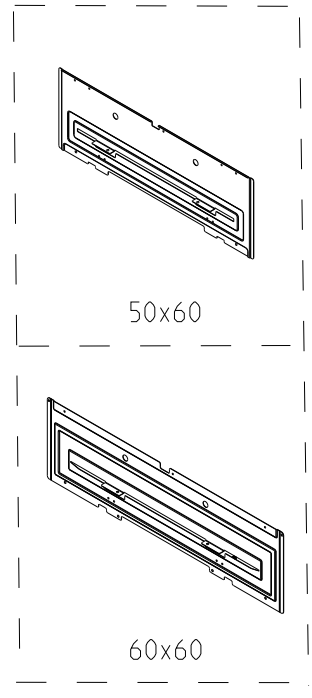
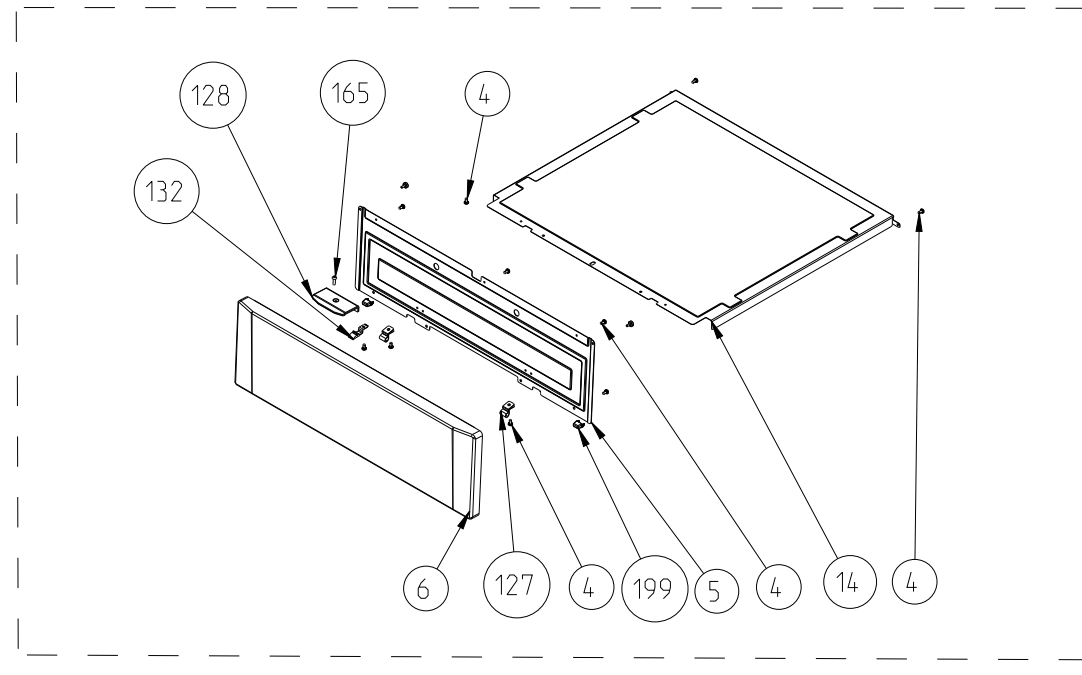


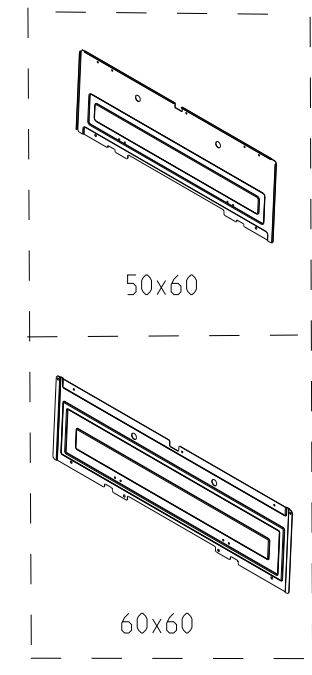
WARMER DRAWER ASSEMBLY



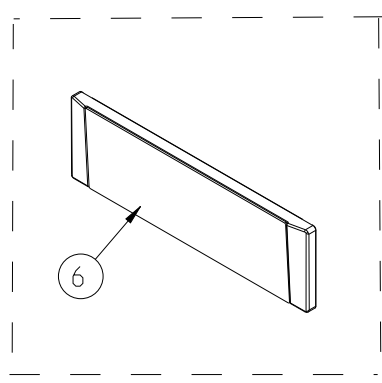
WARMER DRAWER INNER COVER



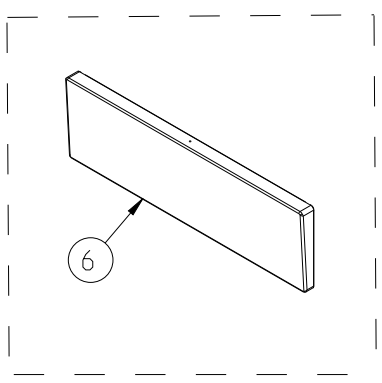
FLAP DRAWER ASSEMBLY (OPTIONAL)



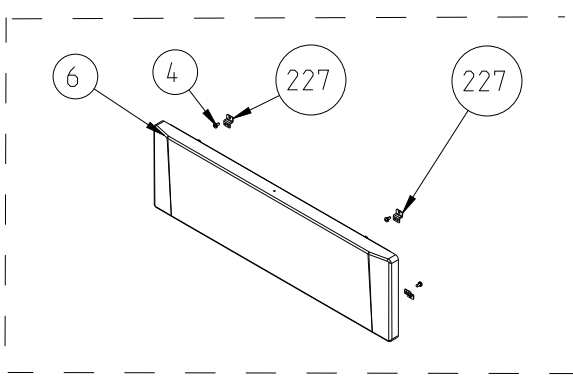
FLAP DRAWER INNER COVER



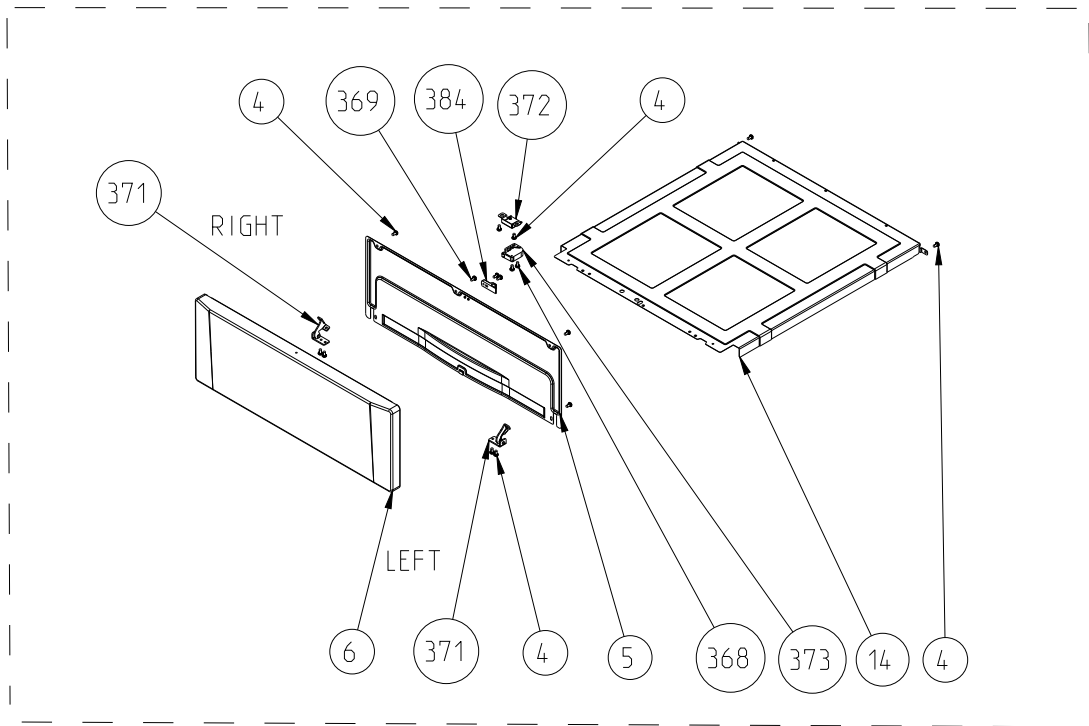
3D GLASS DRAWER PANEL (OPTIONAL)



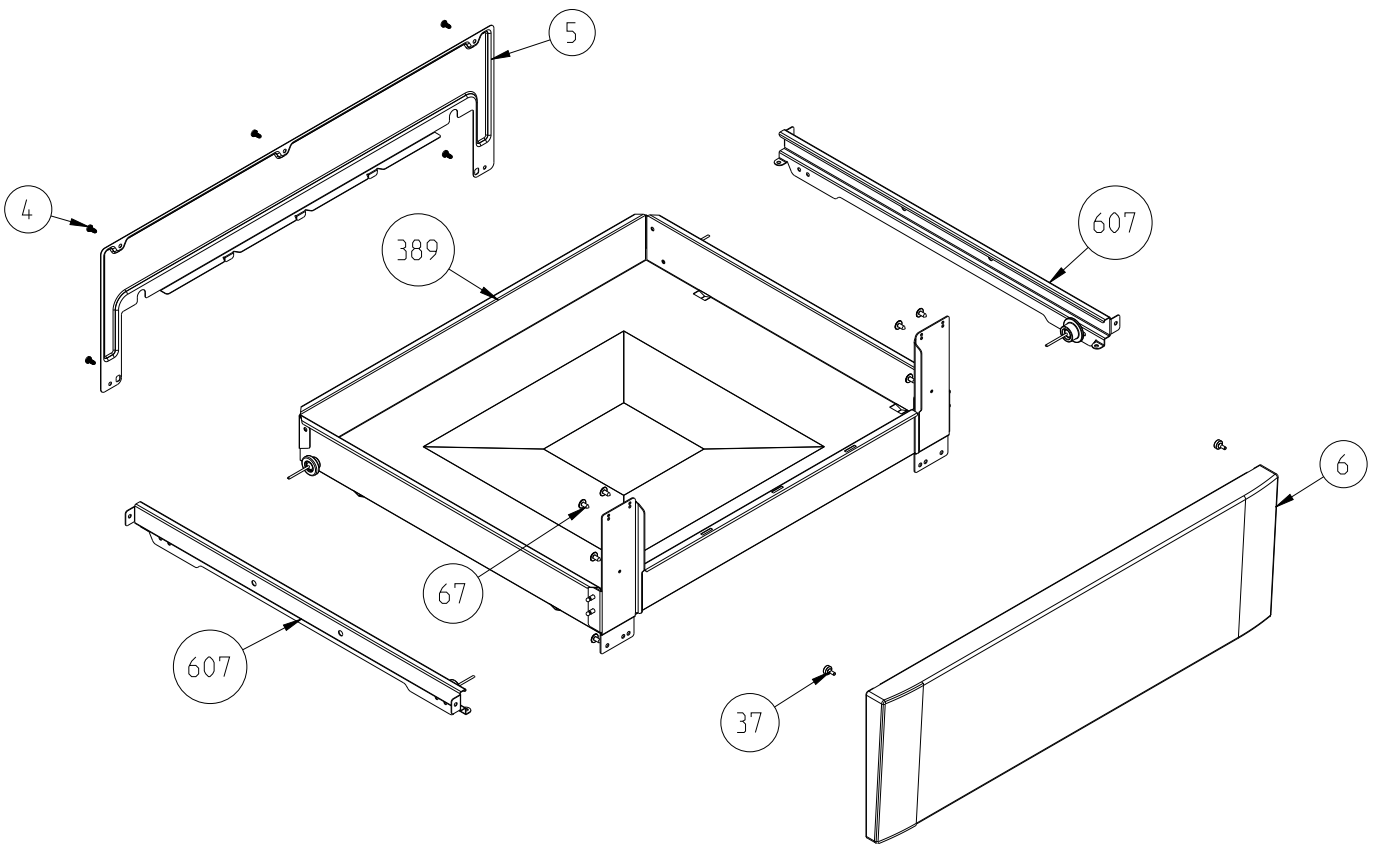
FLAT DRAWER PANEL (OPTIONAL)



FIXED DRAWER ASSEMBLY (OPTIONAL)

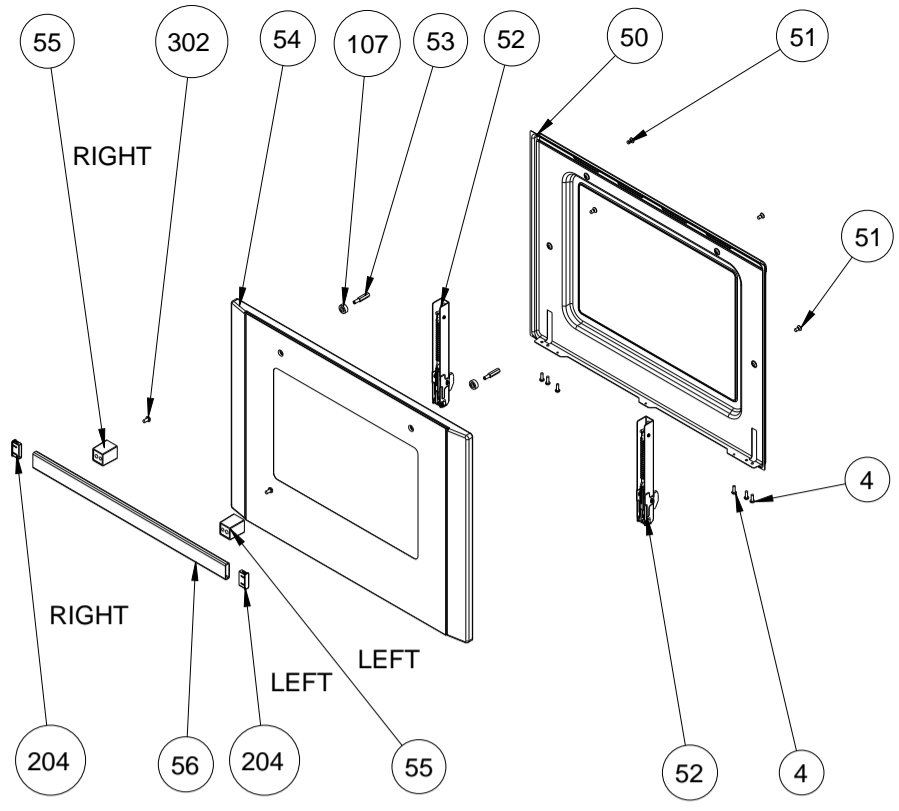


PUSH-PULL FLAP DRAWER ASSEMBLY
(OPTIONAL)

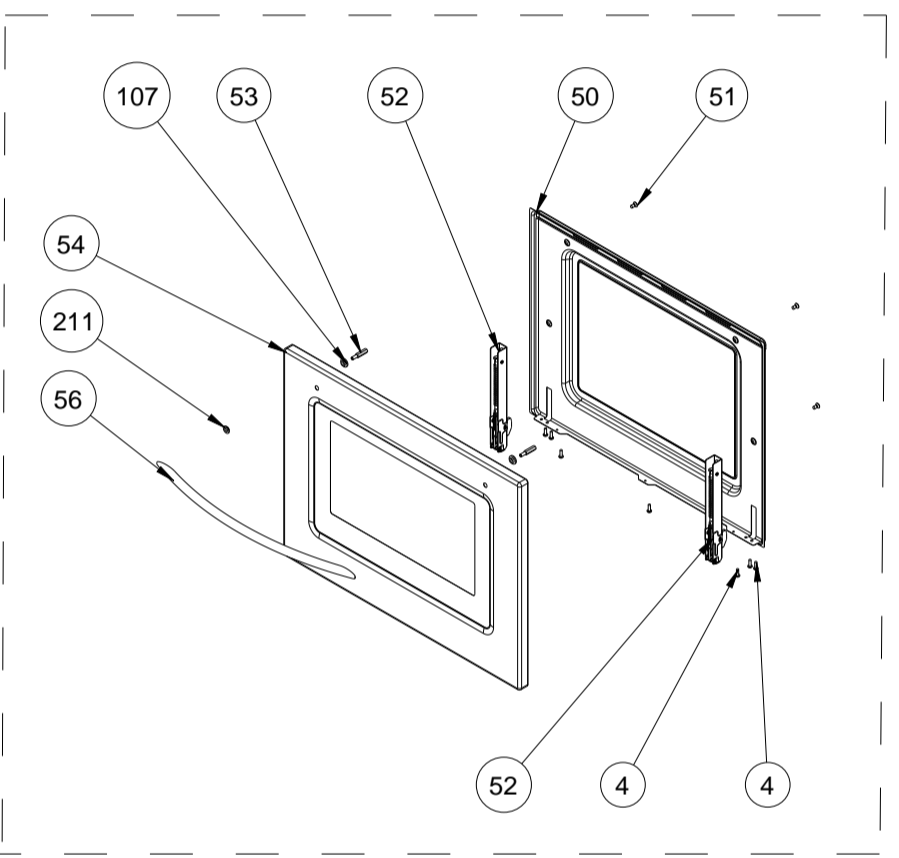


4WG DRAWER ASSEMBLY (OPTIONAL)

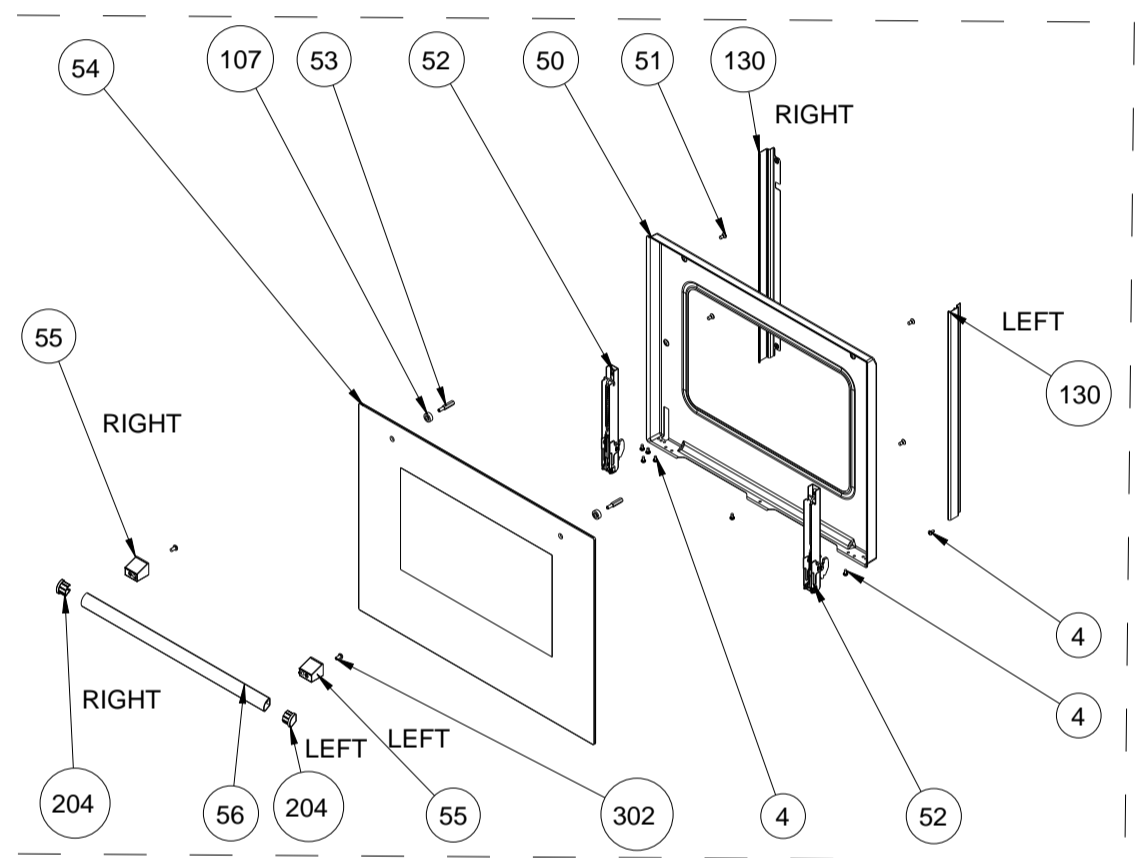
DRAWER ASSEMBLY PARTS	
POSITION NUMBER	PART NAME
1	WARMER DRAWER BODY
4	SCREW (3.9*9.5)
5	DRAWER INNER COVER
6	DRAWER PANEL
14	BOTTOM INSULATION COVER
35	WARMER DRAWER BODY GUIDE (RIGHT/LEFT)
37	DRAWER PANEL STOPPER
67	DRAWER BRACKET CONTACT SCREW
127	FLAP HINGE COUNTERPART SPRING
128	FLAP DRAWER HANDLE
132	FLAP DRAWER LOCKING LATCH
165	FLAP DRAWER HANDLE CONTACT SCREW
199	FLAP DRAWER BUMPER
227	FIXED DRAWER PANEL ASSEMBLY BRACKET
368	FLAP DRAWER LOCKING CONTACT SCREW
369	FLAP DRAWER LOCKING COUNTERPART CONTACT SCREW
371	FLAP DRAWER HINGE (RIGHT/LEFT)
372	FLAP DRAWER LOCKING BRACKET
373	FLAP DRAWER LOCKING(MINI LATCH)
384	FLAP DRAWER LOCKING COUNTERPART(MINI LATCH)
389	DRAWER BOX
607	4WG DRAWER RAIL GROUP (60*60,50*60)
The exploded views given in this document are generic.They include all possible versions of the product.For specific part codes,please refer to the bom list of regarding model	



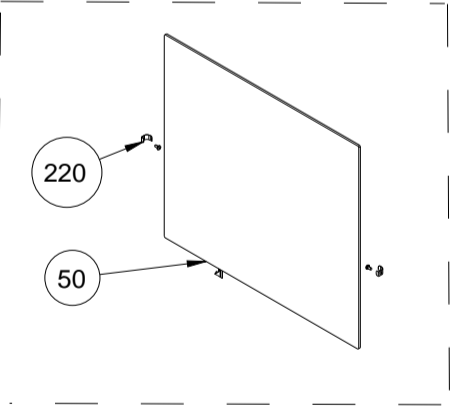
3D OVEN DOOR
(POSITION NO 374)



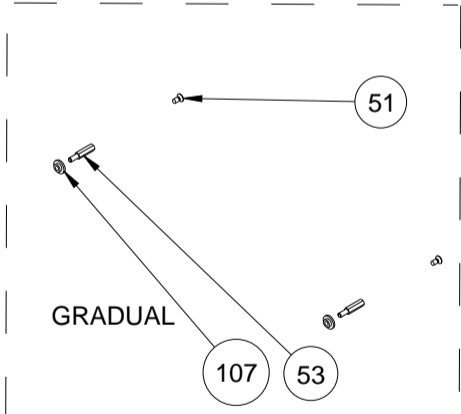
SOLID TYPE
(OPTIONAL)
(POSITION NO 375)



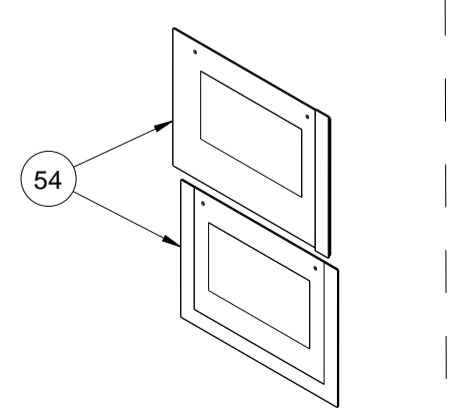
FLAT TYPE OVEN DOOR
(OPTIONAL)
(POSITION NO 376)



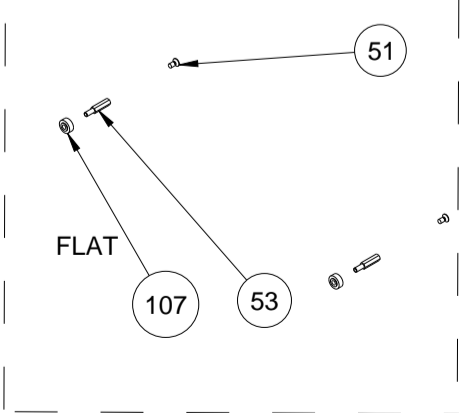
INTERVAL GLASS
(OPTIONAL)



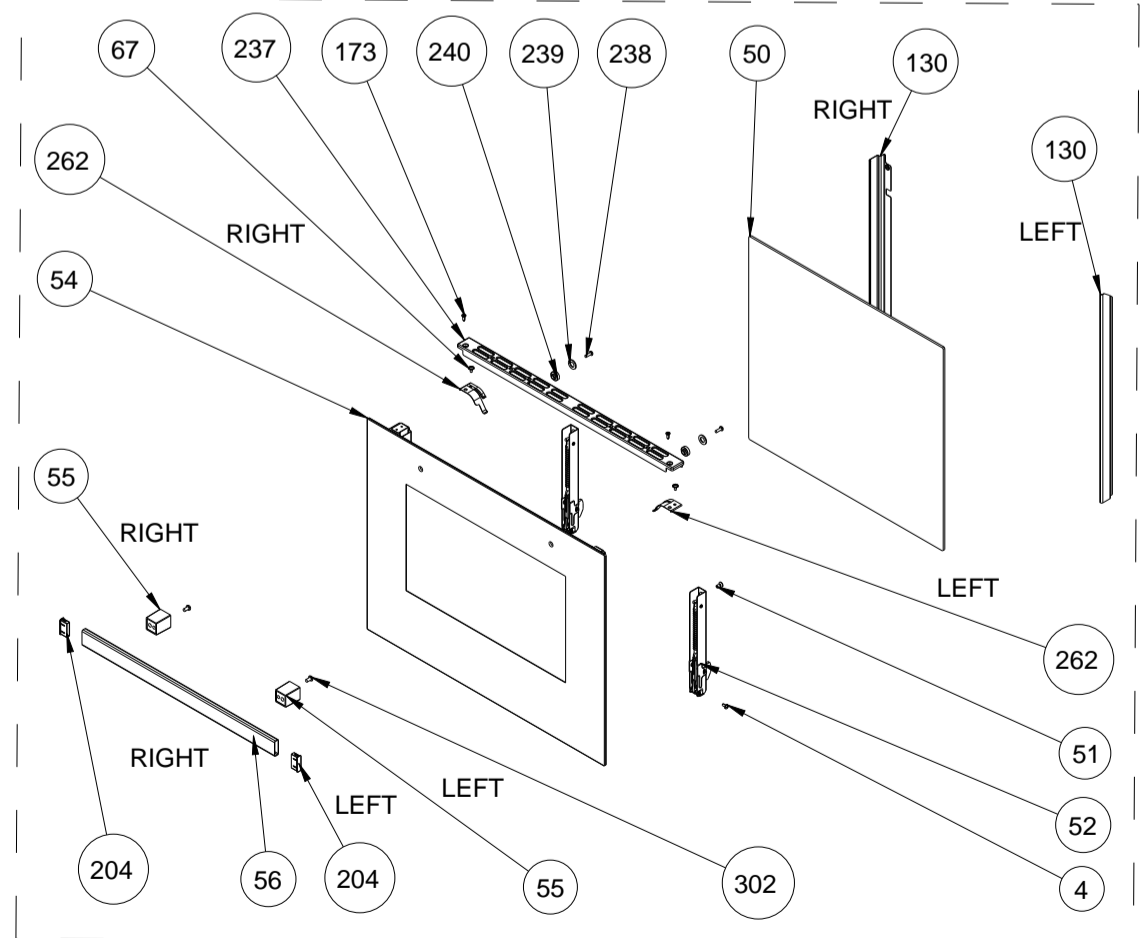
GRADUAL
HANDLE ASSEMBLY GROUP
(OPTIONAL)
(POSITION NO 49)



OVEN DOOR OUTER GLASS ASSEMBLY
WITH INOX ADD-ON TYPES
(OPTIONAL)



FLAT
HANDLE ASSEMBLY GROUP
(OPTIONAL)
(POSITION NO 49)



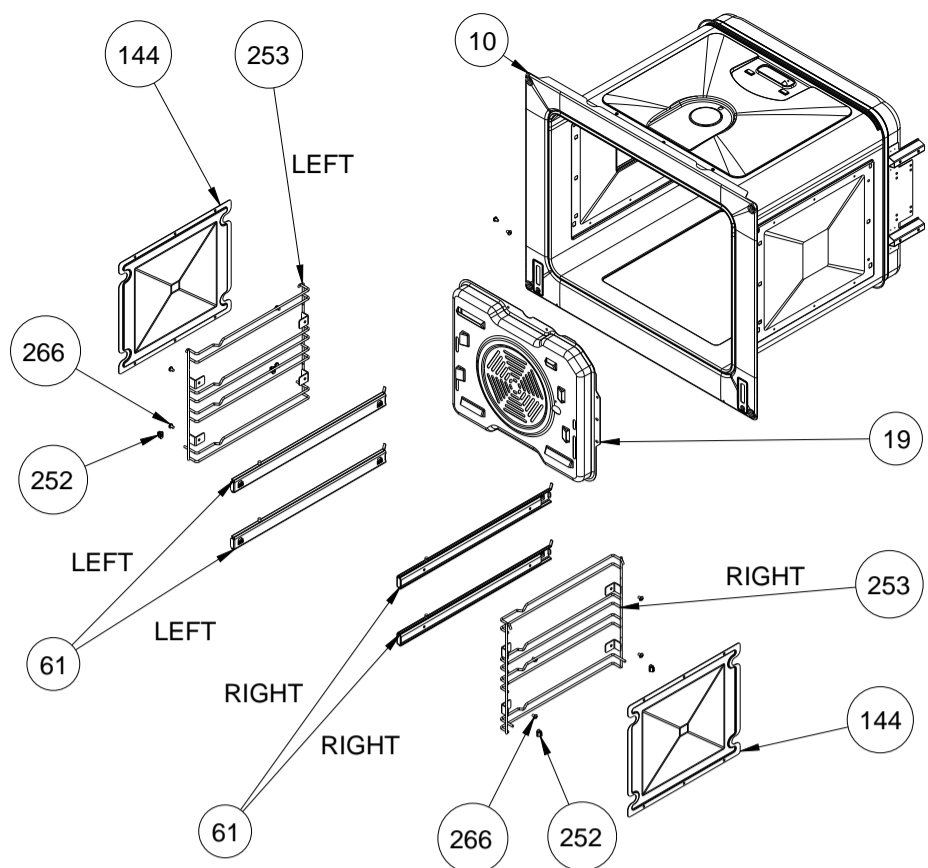
FLAT OVEN DOOR WITH FULL GLASS STRUCTURE
(OPTIONAL)
(POSITION NO 377)

*Metal frames on outer glass, handle types, handle taps and brackets are optional. Your cooker may be different cosmetically.

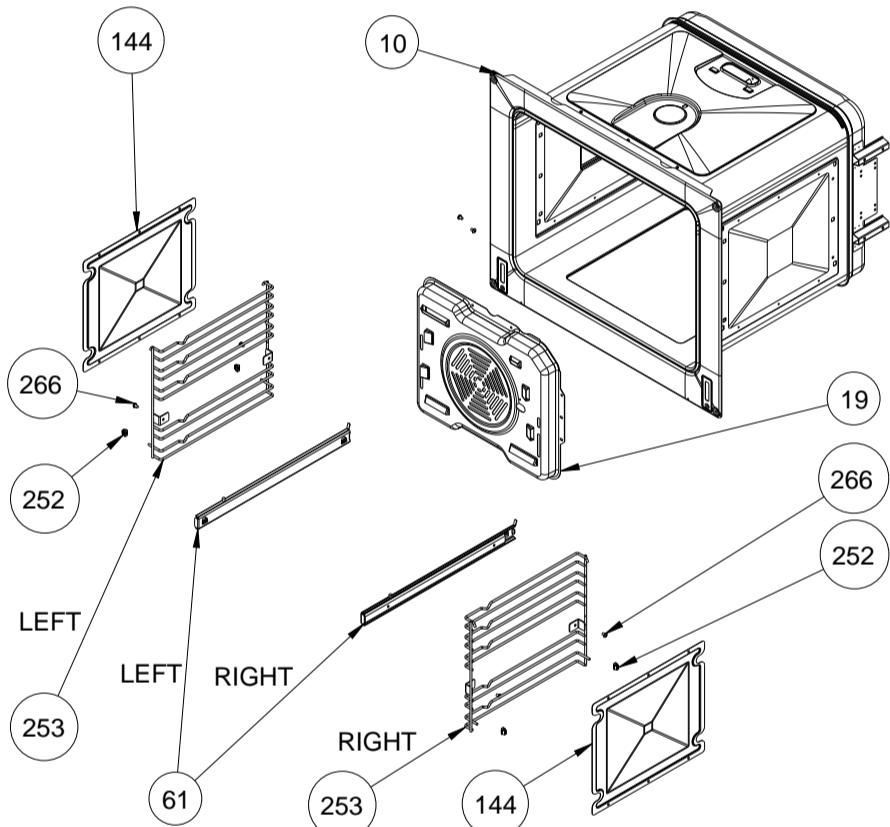
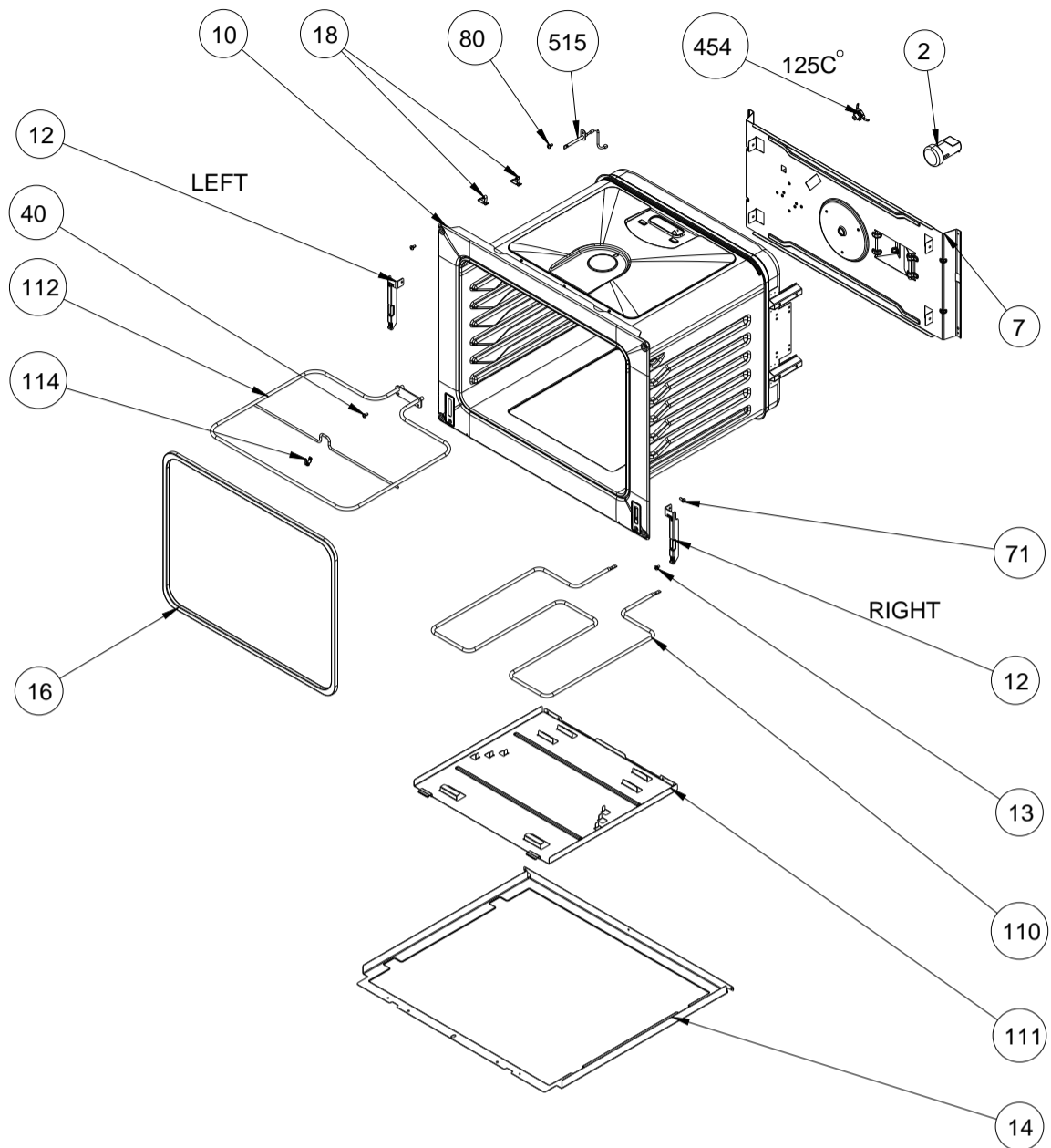
OVEN DOOR OUTER GLASS ASSEMBLY PARTS

POSITION NUMBER	PART NAME
4	SCREW (KNURLED, 3.9*9.5, BLACK)
49	HANDLE ASSEMBLY GROUP
50	INNER GLASS ASSEMBLY
51	INNER LID TOP CONTACT SCREW
52	OVEN DOOR HINGE
53	OVEN DOOR HANDLE ASSEMBLY STUD
54	OUTER GLASS ASSEMBLY
55	HANDLE BRACKET / BRACKET WITH CAP (LEFT / RIGHT)
56	HANDLE BODY
67	REMOVABLE INNER GLASS SPRING CONTACT SCREW
107	WASHER
130	SIDE CLOSING PROFILE (FOR FLAT OVEN DOOR WITH FULL GLASS)
173	DOUBLE GLAZED OVEN DOOR METAL TRIM CONTACT SCREW
204	HANDLE TAP
211	HANDLE ASSEMBLY GASKET
220	INTERVAL FRONT PANEL SPRING
237	DOUBLE GLAZED OVEN DOOR METAL TRIM
238	OVEN DOOR HANDLE CONTACT SCREW
239	HANDLE FIXING BUSH
240	SILICONE WASHER
262	REMOVABLE INNER GLASS SPRING (LEFT / RIGHT)
302	HANDLE BRACKET CONTACT SCREW
374	SOLID TYPE OVEN DOOR ASSEMBLY (3D)
375	SOLID TYPE OVEN DOOR (FLAT / OBLIQUE)
376	SOLID TYPE OVEN DOOR ASSEMBLY
377	OVEN DOOR GROUP

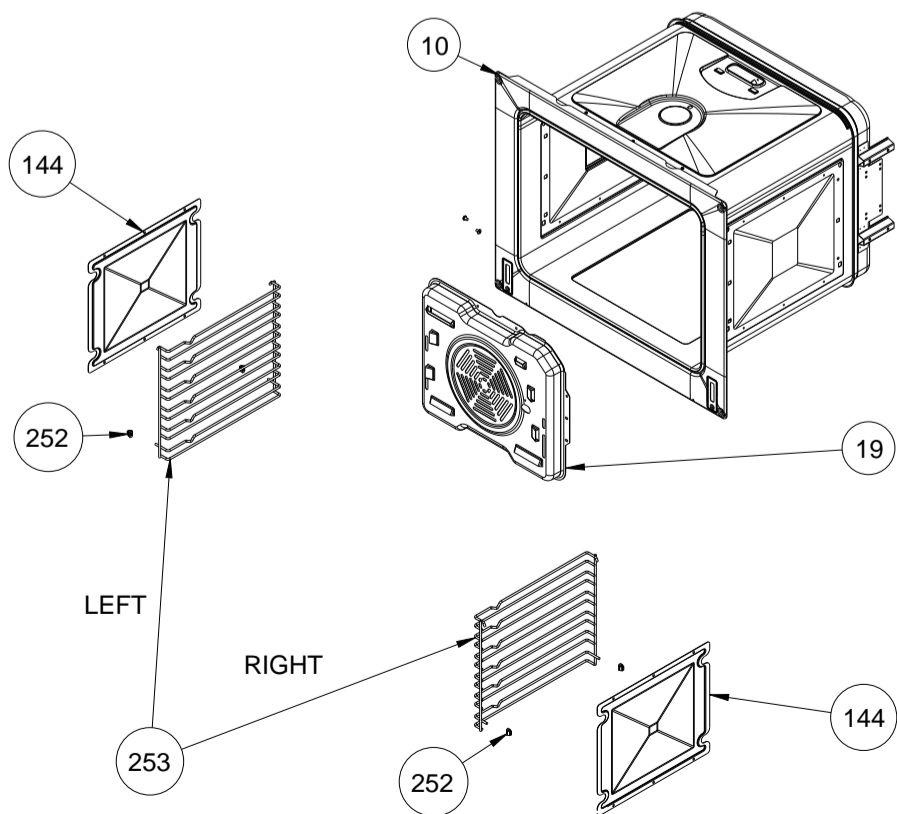
“The exploded views given in this document are generic. They include all possible versions of the product. For specific part codes, please refer to the bom list of regarding model.”



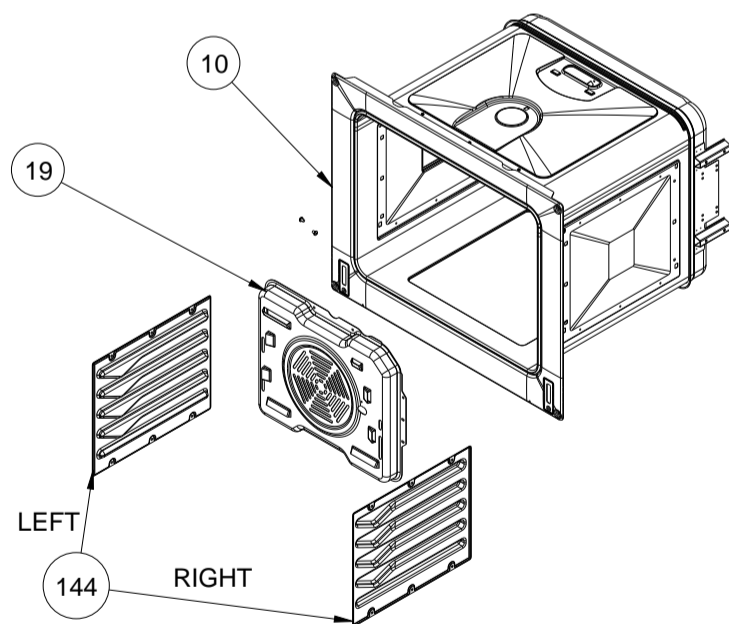
WIRE SHELF CAVITY ASSEMBLY WITH / WITHOUT CATALYTIC PANEL
 OPTIONAL : DOUBLE TELESCOPIC RAILS (R / L)



WIRE SHELF CAVITY ASSEMBLY WITH / WITHOUT CATALYTIC PANEL
 OPTIONAL : TELESCOPIC RAIL (R / L)



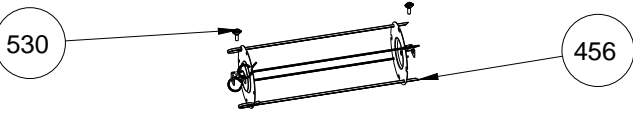
WIRE SHELF CAVITY ASSEMBLY WITH / WITHOUT CATALYTIC PANEL
 (OPTIONAL)



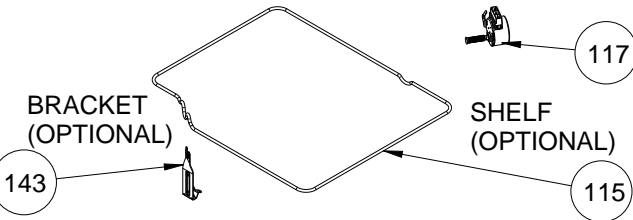
CAVITY ASSEMBLY WITH CATALYTIC SHELF
 (OPTIONAL)



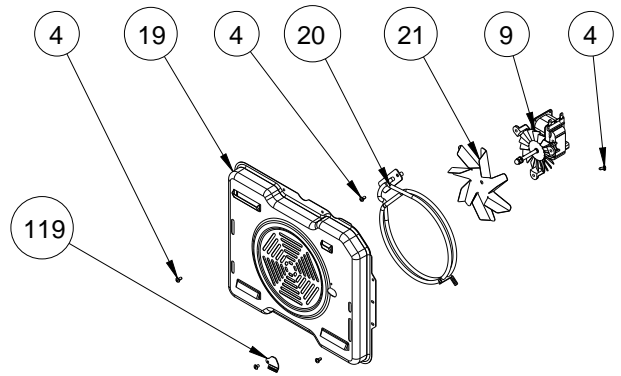
TURNSPIT SKEWER



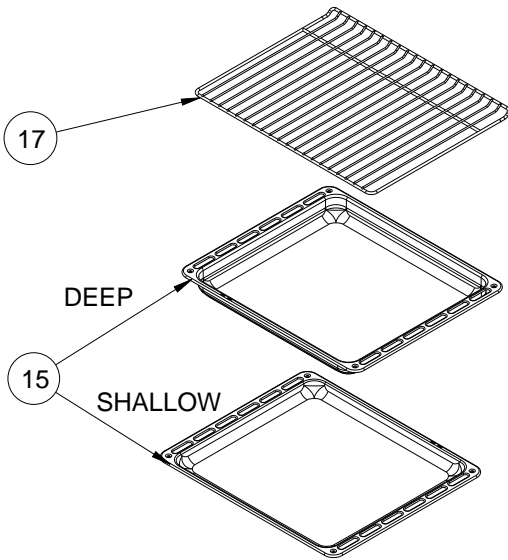
SHISH KEBAB ACCESSORY (OPTIONAL)



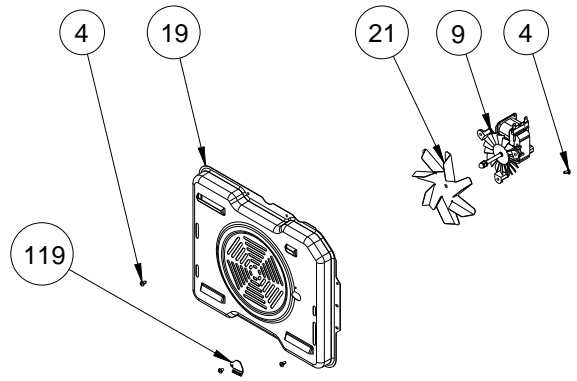
TURNSPIT (OPTIONAL)



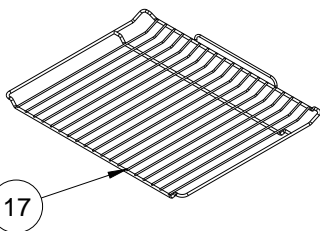
RING HEATING ELEMENT WITH FAN (OPTIONAL)



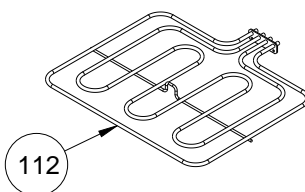
TRAYS & GRID (OPTIONAL)



(FAN COVER/ FAN IMPELLER(6 WINGS) / FAN MOTOR) (OPTIONAL)



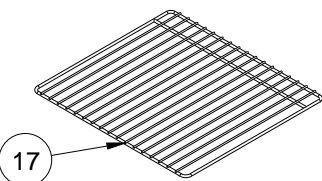
LOCKED



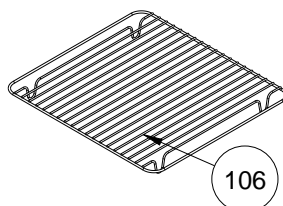
TOP AND GRILL HEATING ELEMENT (OPTIONAL)



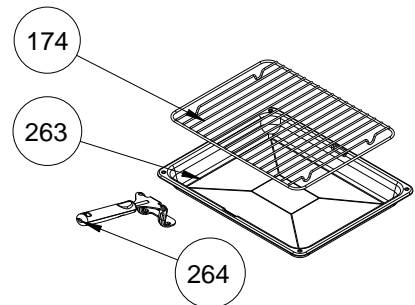
THERMIST BULB HOLDER/BRACKET



W. TELESCOPIC RAIL
GRID (OPTIONAL)



DEEP TRAY GRID (OPTIONAL)



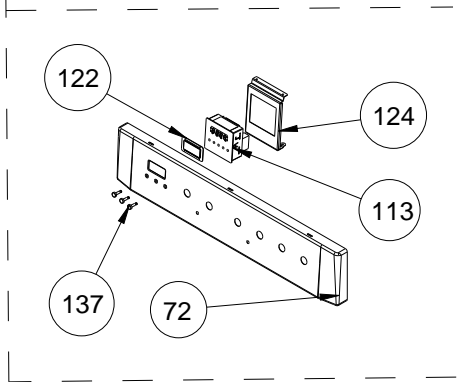
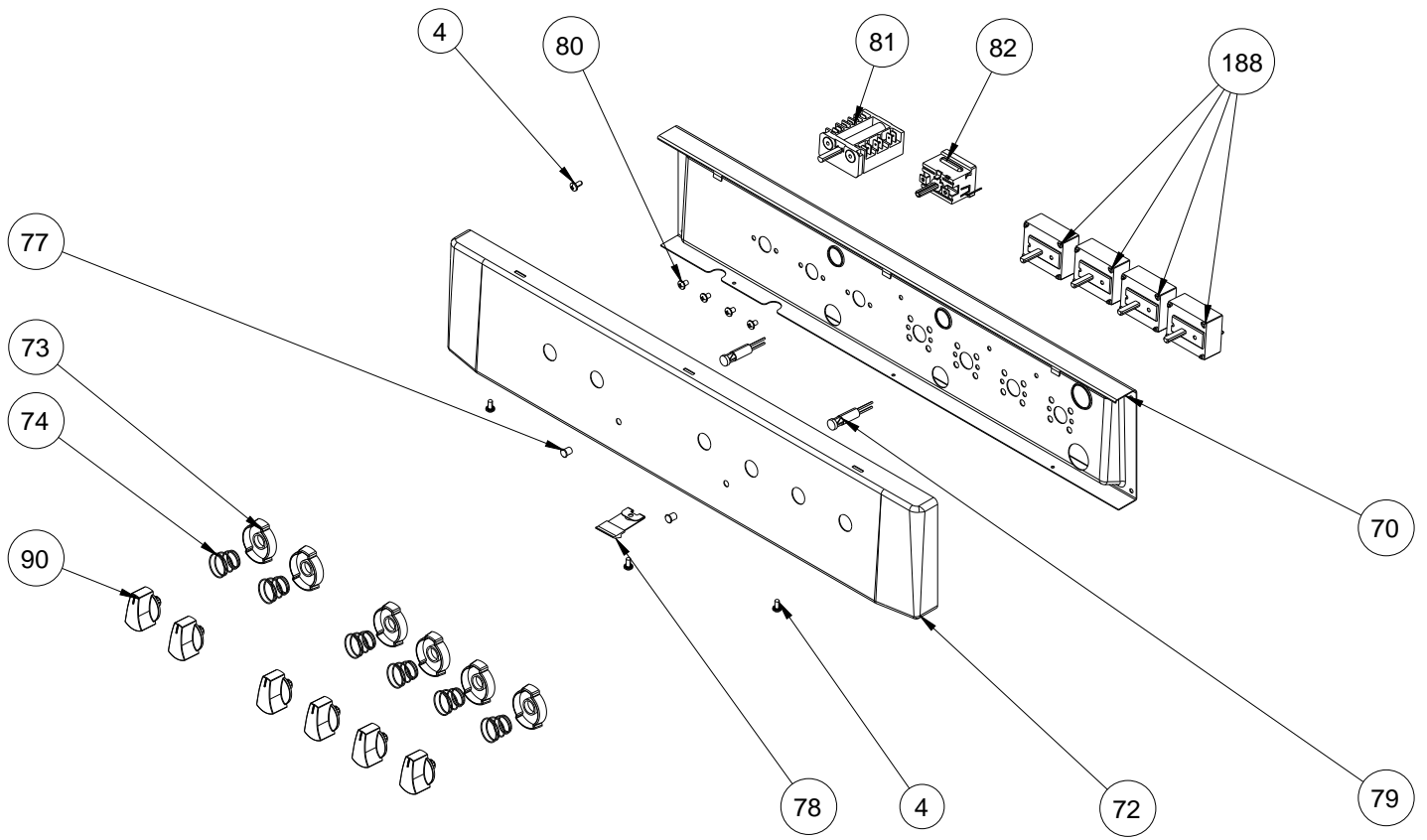
GRILL PAN AND HANDLE SET (TRAY SET FOR GRILL) (POSITION NO 265) - (OPTIONAL)

CAVITY ASSEMBLY PARTS

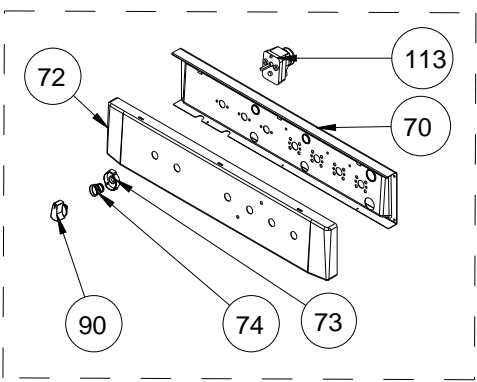
POSITION NUMBER	PART NAME
2	OVEN LIGHT
4	SCREW (3.9*9.5)
7	REAR INSULATION COVER
9	FAN MOTOR
10	CAVITY
12	HINGE COUNTERPART (LEFT / RIGHT)
13	HINGE COUNTERPART FRONT CONTACT SCREW
14	BOTTOM INSULATION COVER
15	TRAY (DEEP / SHALLOW , BLACK)
16	OVEN DOOR GASKET
17	GRID (LOCKED,W. TELESCOPIC RAIL)
18	THERMOSTAT BULB BRACKET
19	FAN COVER
20	RING TUBULAR HEATING ELEMENT
21	FAN IMPELLER
61	TELESCOPIC RAIL (RIGHT, LEFT)
71	HINGE COUNTERPART SIDE CONTACT SCREW
80	SCREW (KNURLED, M 4*6)
106	DEEP TRAY GRID
110	BOTTOM HEATING ELEMENT
111	BOTTOM HEATING ELEMENT HOLDER
112	TOP AND GRILL HEATING ELEMENT
114	TOP HEATING ELEMENT BULB BRACKET
115	TURNSPIT GRILL
116	TURNSPIT SKEWER
117	TURNSPIT MOTOR
119	TURNSPIT HOLE COVER
143	TURNSPIT HOUSE (or alternative : TURNSPIT GRILL)
144	CATALYTIC PANEL WITH WIRE SHELF (ENAMELLED) SHELF COVER (RIGHT/LEFT, CATALYTIC ENAMELLED)
174	TRAY GRID
253	WIRE SHELF (RIGHT / LEFT)
255	WIRE SHELF FIXING SCREW
263	GRILL PAN
264	GRILL PAN HANDLE
265	TRAY SET (SMALL, BLACK)
266	TELESCOPIC RAIL CONTACT SCREW
454	LIMIT THERMOSTAT NC 125°C (OPTIONAL)
456	SHISH KEBAB ACCESSORY
479	THERMOSTAT BULB HOLDER (ELECTRIC)
515	ELECTRONIC THERMOSTAT
530	EYE SCREW (M 5*12,AISI304)

"The exploded views given in this document are generic. They include all possible versions of the product.

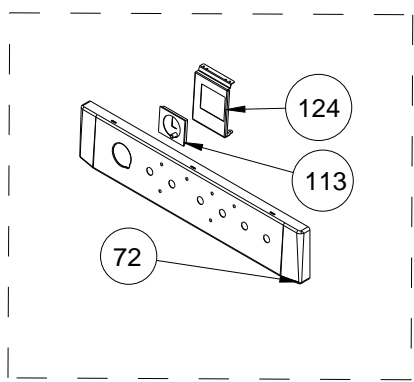
For specific part codes, please refer to the bom list of regarding model."



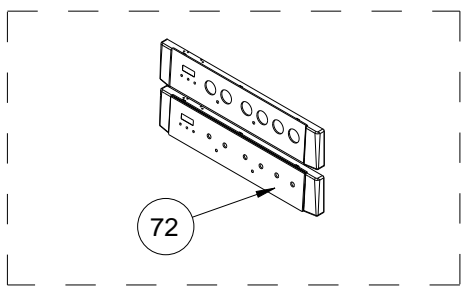
DIGITAL TIMER (OPTIONAL)



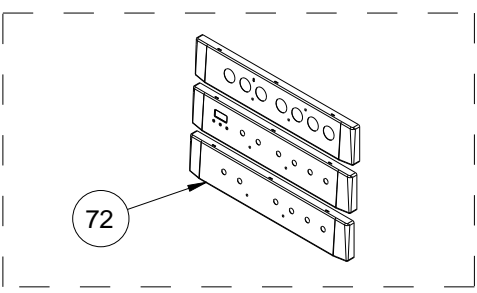
MECHANIC TIMER (OPTIONAL)



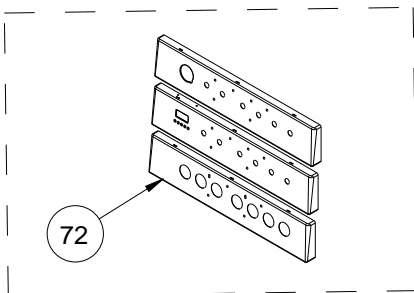
ANALOG TIMER (OPTIONAL)



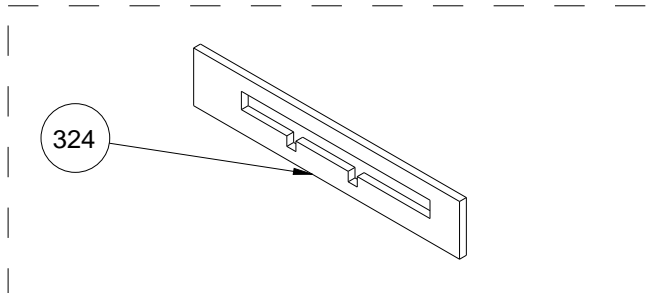
GLASS CONTROL PANELS (OPTIONAL)



3D METAL CONTROL PANELS (OPTIONAL)



FLAT METAL CONTROL PANELS (OPTIONAL)



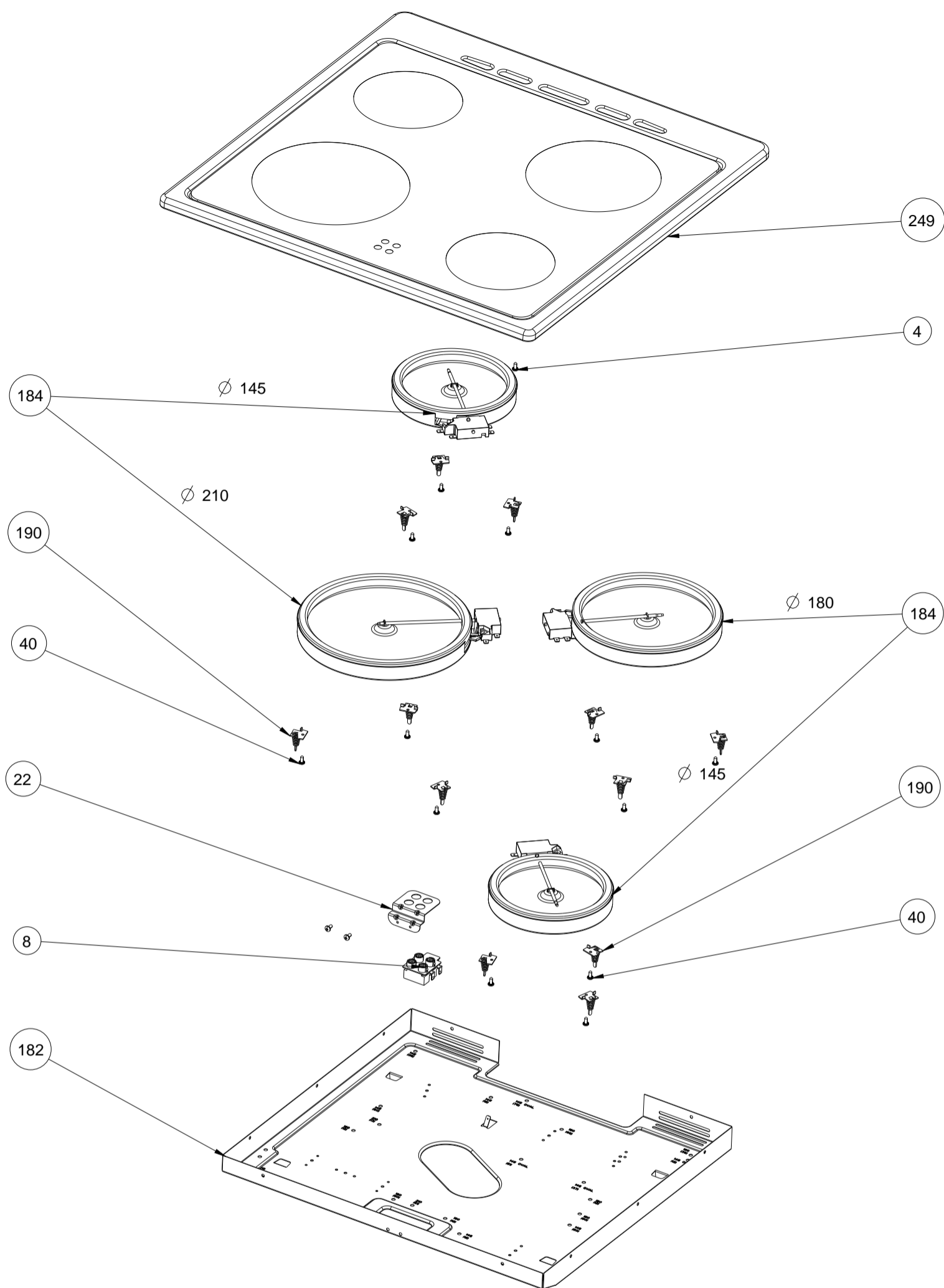
FRONT PANEL INSULATION (IZOPAN) (OPTIONAL)

CONTROL PANEL ASSEMBLY PARTS

POSITION NUMBER	PART NAME
4	SCREW (3.9*9.5)
70	INNER PANEL
72	FRONT PANEL GROP (GLASS / METAL)
73	KNOB RING
74	KNOB SPRING
77	SIGNAL LAMP LENS
78	CHILD LOCK
79	SIGNAL LAMP BODY
80	ELECTRICAL KOMPONENT CONTACT SCREW
81	FUNCTION SELECTOR SWITCH / HOTPLATE SWITCH
82	CAPILLARY THERMOSTAT
90	KNOB - ELECTRICAL
113	TIMER (MECHANIC / DIGITAL / ANALOG)
122	TIMER LENS
124	TIMER HOLDER (DIGITAL / ANALOG)
137	TIMER BUTTON
188	ENERGY REGULATOR
324	FRONT PANEL INSULATION (IZOPAN)

“The exploded views given in this document are generic. They include all possible versions of the product.

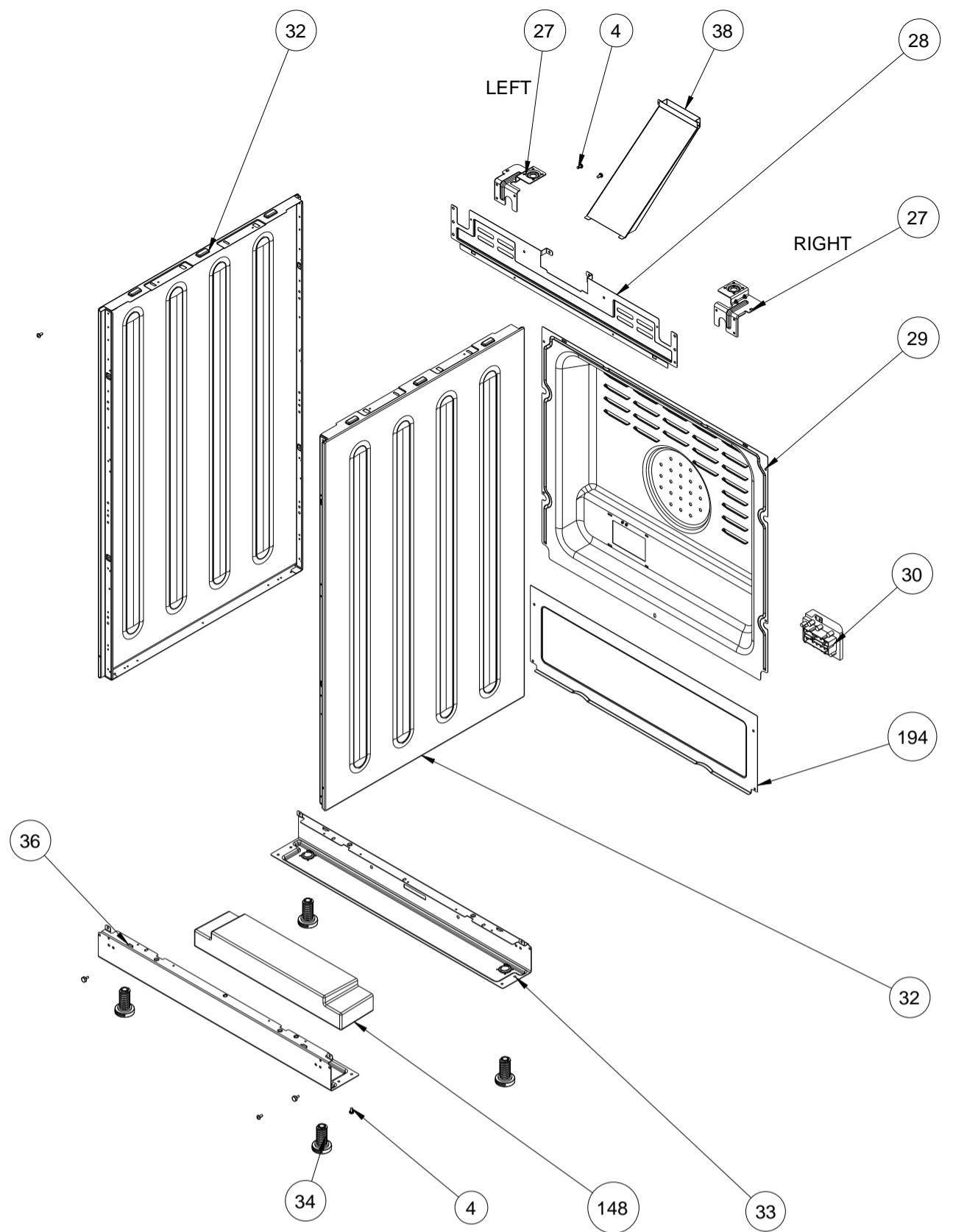
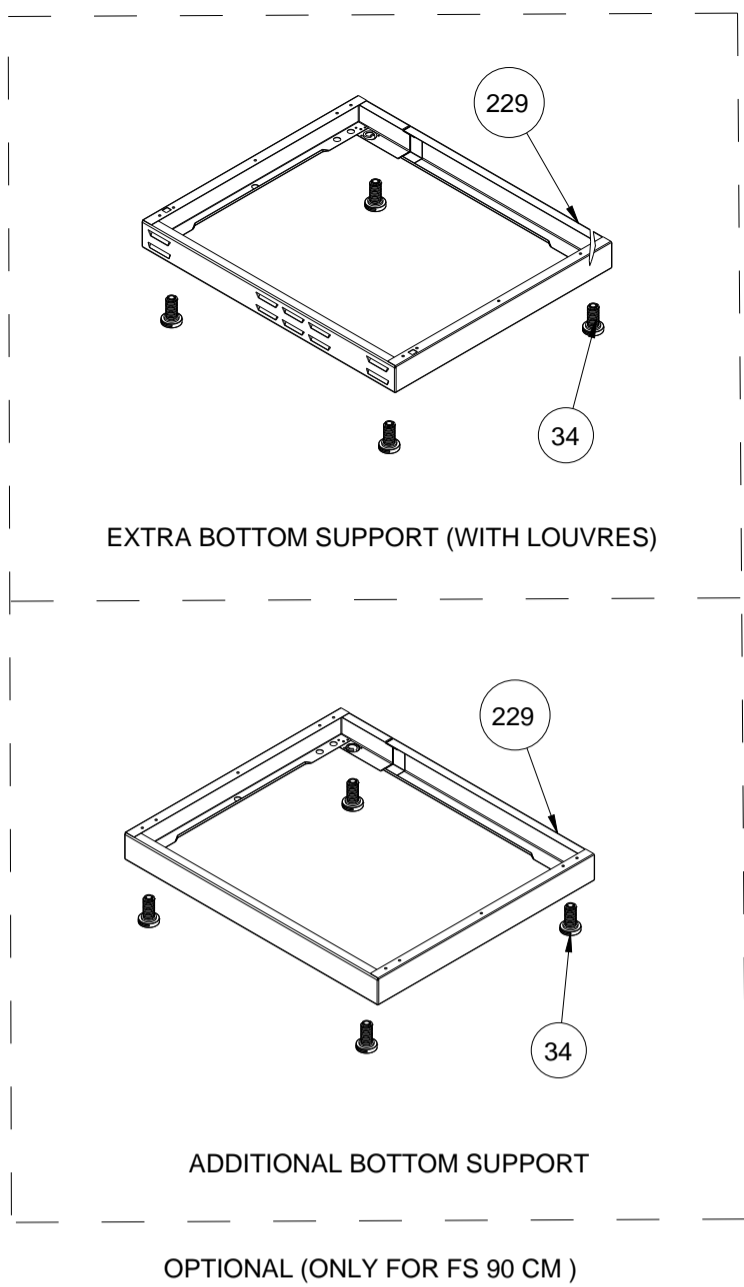
For specific part codes, please refer to the bom list of regarding model.”



COOKTOP ASSEMBLY PARTS

POSITION NUMBER	PART NAME
4	SCREW (3.9*9.5)
8	HOT SURFACE INDICATOR LIGHT
22	HOT SURFACE INDICATOR LIGHT HOLDER
40	HIGHLIGHT HEATING FIXING BRACKET ASSEMBLY CONTACT SCREW
182	VITROCERAMIC HOB BOTTOM COVER
184	HIGHLIGHT HEATING (Ø145, Ø180, Ø210)
190	HIGHLIGHT HEATING FIXING BRACKET ASSEMBLY
249	CERAMIC GLASS ASSEMBLY

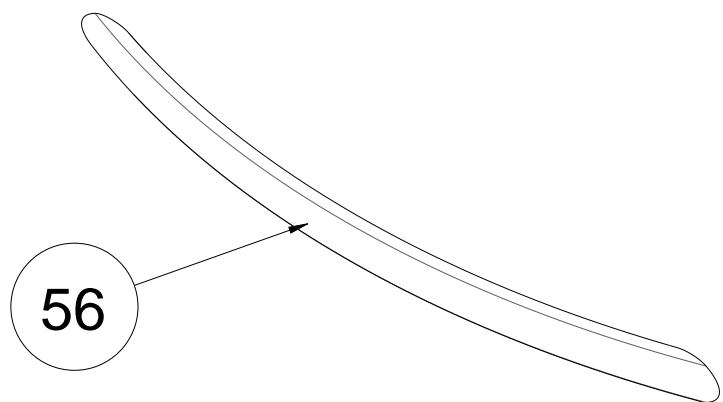
“The exploded views given in this document are generic. They include all possible versions of the product. For specific part codes, please refer to the bom list of regarding



SIDE PANEL ASSEMBLY PARTS	
POSITION NUMBER	PART NAME
4	SCREW (3.9*9.5)
27	COOKTOP ANGLE IRON (LEFT / RIGHT)
28	REAR TOP PANEL
29	REAR PANEL
30	TERMINAL BOX
32	SIDE PANEL
33	REAR PLINTH
34	ADJUSTABLE WHEEL
36	FRONT PLINTH
38	EXHAUST (56/66)
148	CONCRETE WEIGHT
194	REAR BOTTOM LID
229	EXTRA BOTTOM SUPPORT
290	BATTERY BOX
291	BATTERY

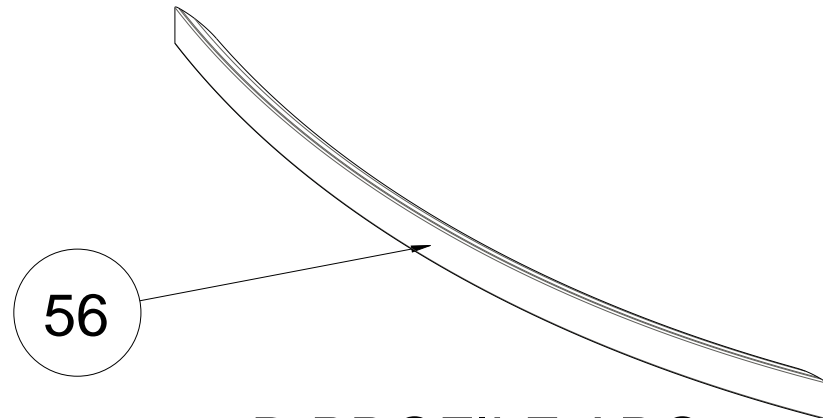
“The exploded views given in this document are generic. They include all possible versions of the product.
For specific part codes, please refer to the bom list of regarding

OVEN DOOR HANDLES (OPTIONAL)
HANDLES WITHOUT TAP & BRACKET



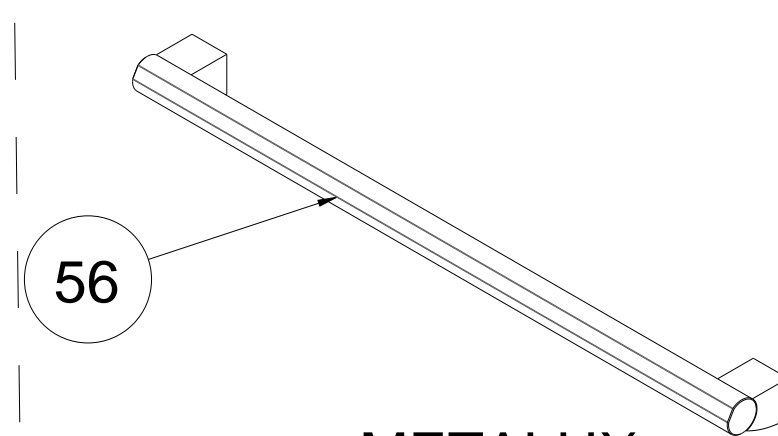
56

ELLIPSE ARC



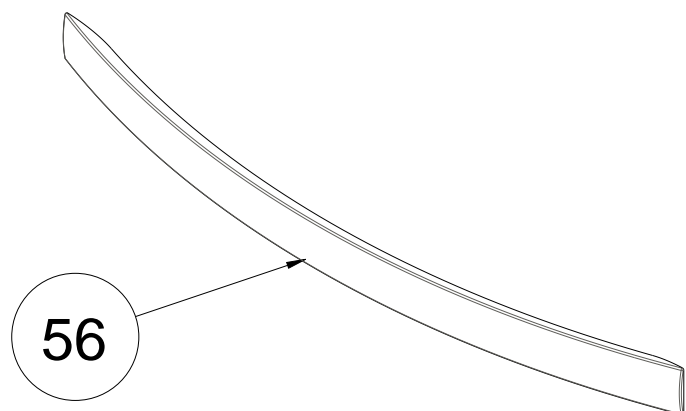
56

D PROFILE ARC



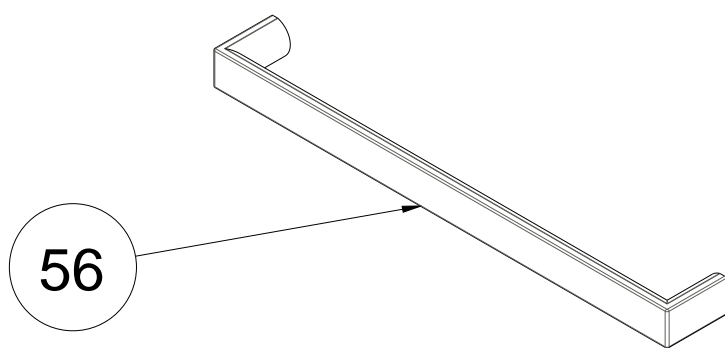
56

METALUX



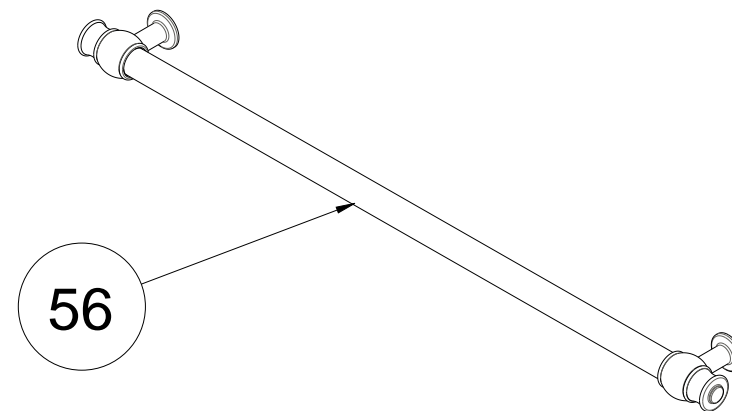
56

D PROFILE ARC, ELECTROLUX
(ONLY FOR FS - OPTIONAL)



56

FNP (ONLY FOR BUILT-IN -
OPTIONAL)

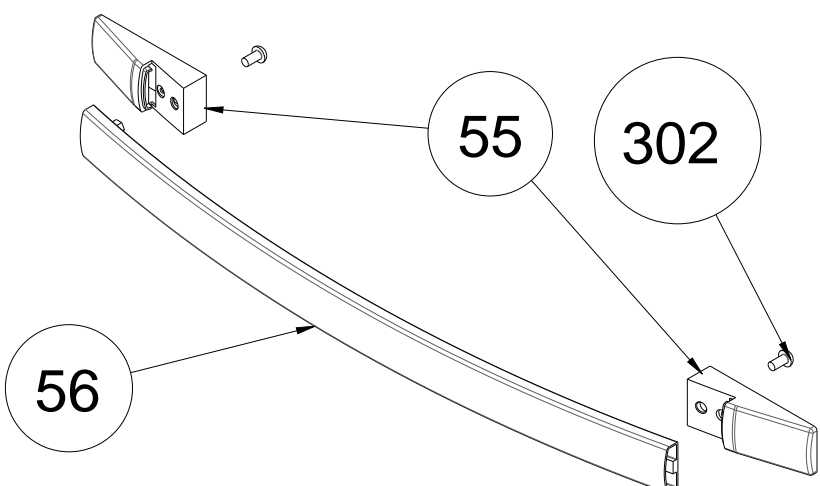


56

RUSTIC

HANDLES WITH BRACKET

HANDLES WITH TUNNEL TAP

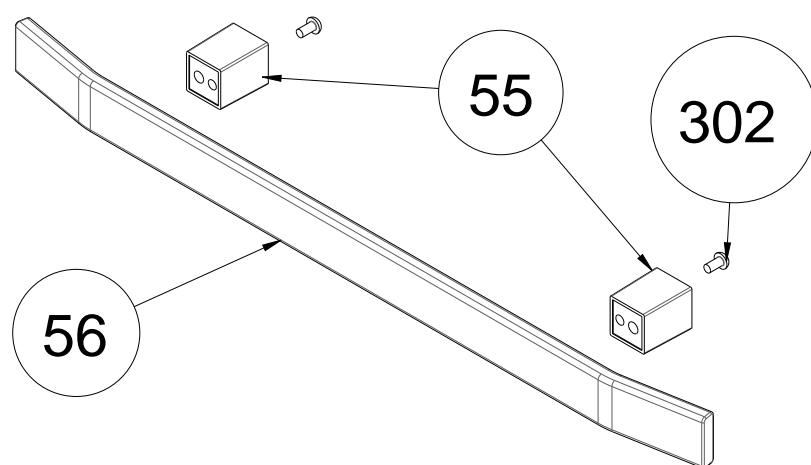


56

55

302

ARC QUADRANGLE

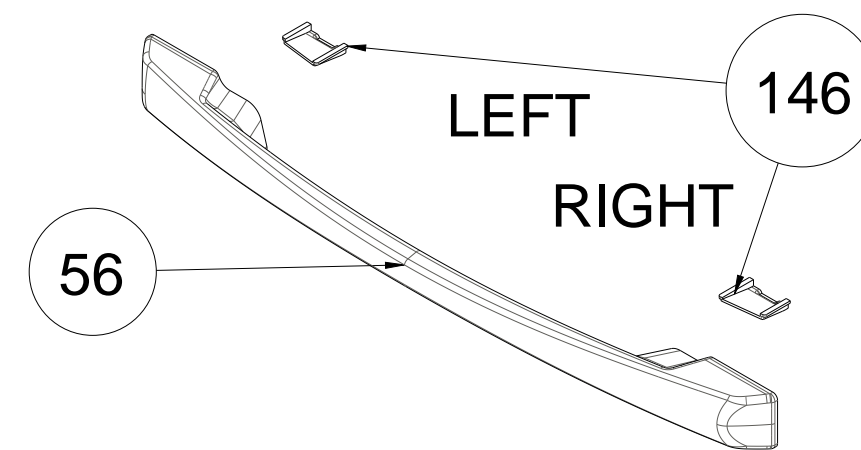


56

55

302

3D QUADRANGLE (ONLY FOR
FS/ NEW G/ BUILT-IN - OPTIONAL)



56

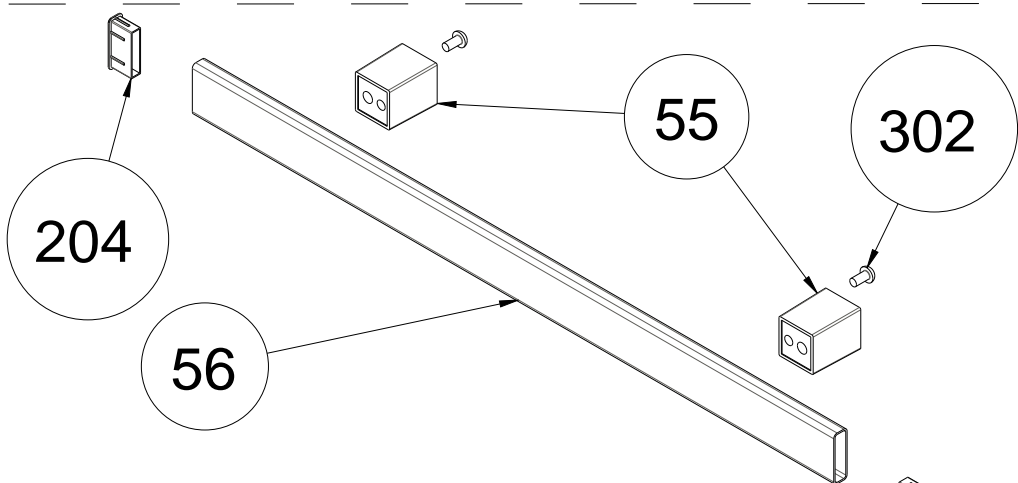
LEFT

RIGHT

146

NO FAN TYPE (ONLY FOR
BUILT-IN - OPTIONAL)

HANDLES WITH TAP & BRACKET



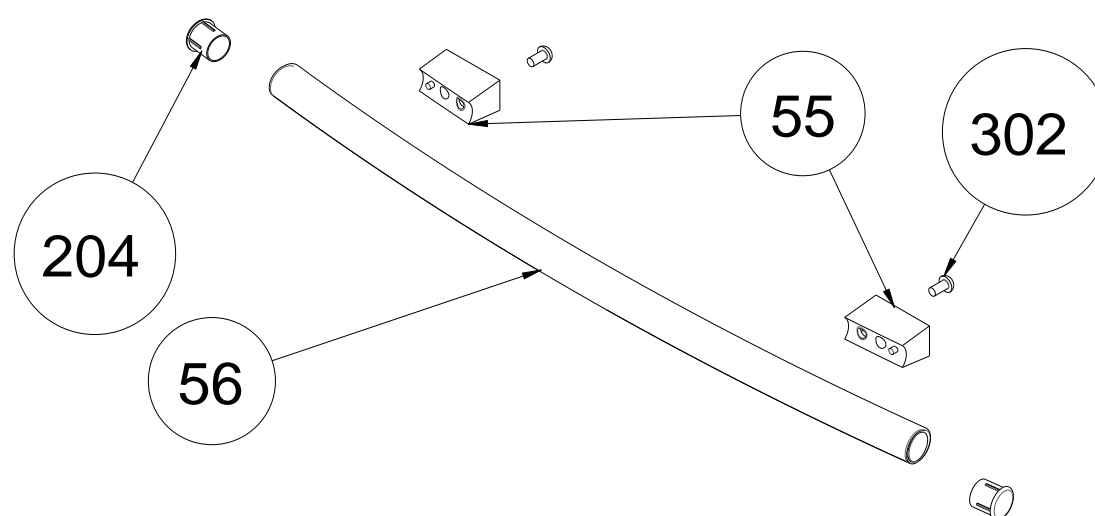
204

56

55

302

FLAT QUADRANGLE
(ONLY FOR FS/ NEW G/ BUILT-IN - OPTIONAL)



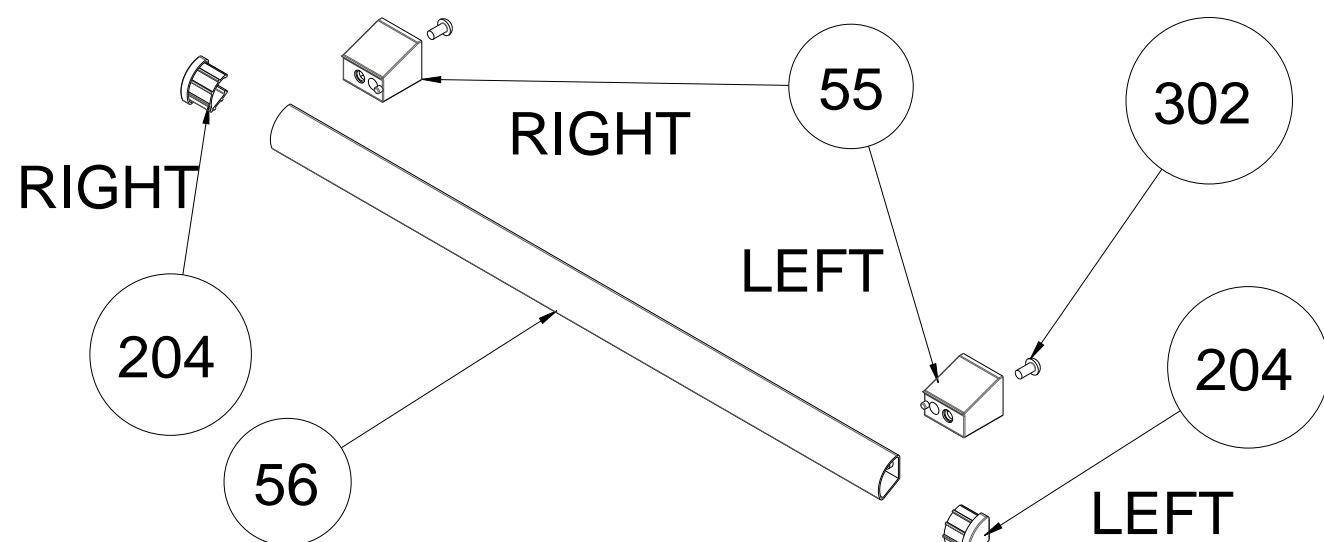
204

56

55

302

ARC TUBE



RIGHT

204

56

RIGHT

LEFT

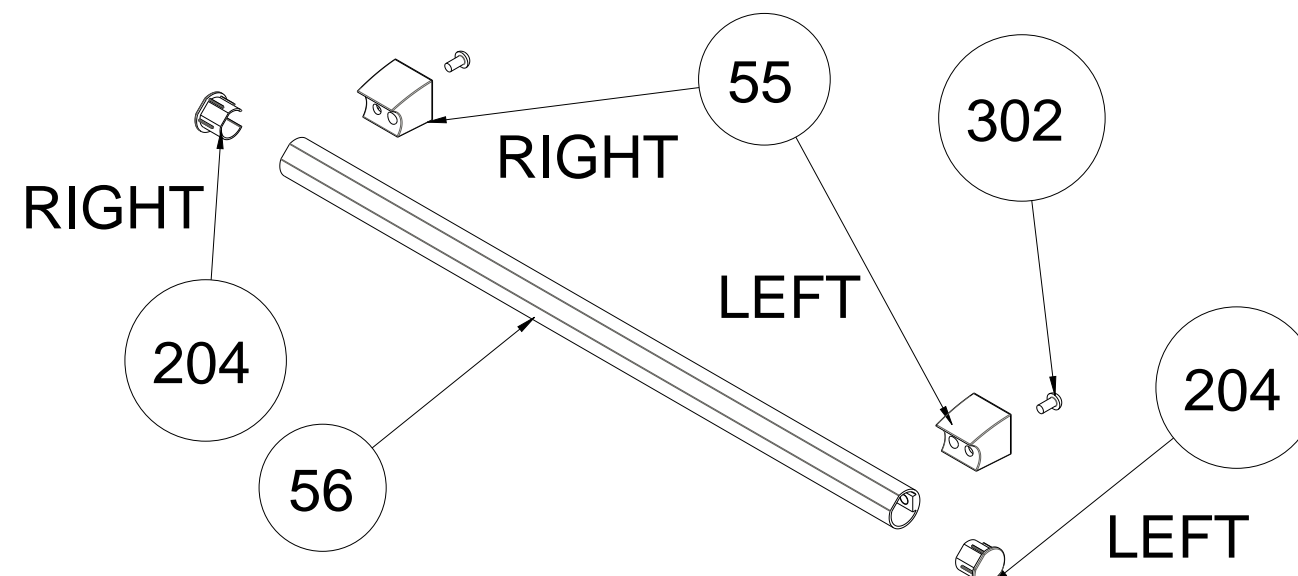
55

302

204

LEFT

FLAT SLICE



RIGHT

204

56

RIGHT

LEFT

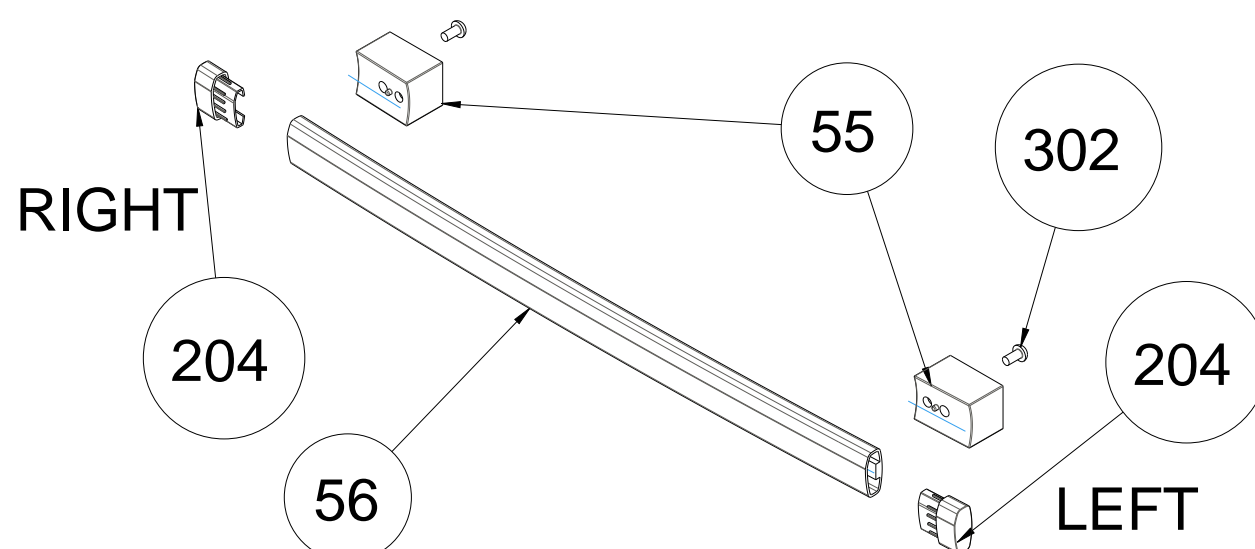
55

302

204

LEFT

TRIO



RIGHT

204

56

55

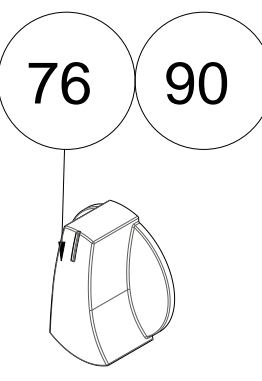
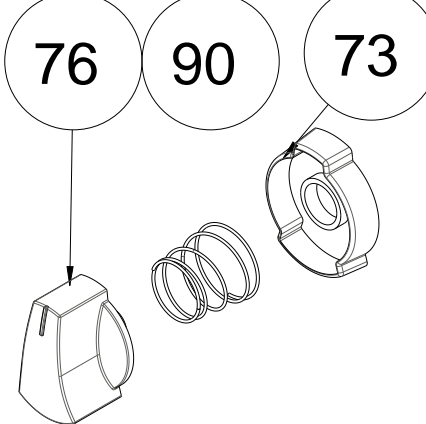
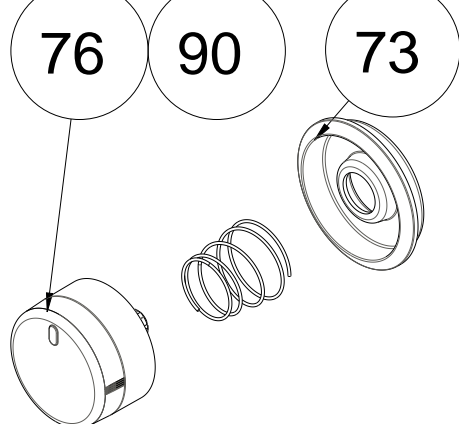
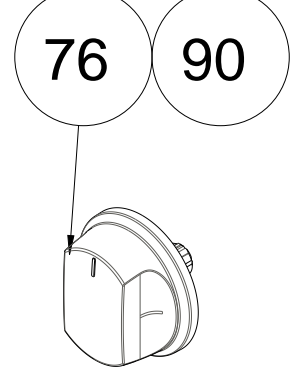
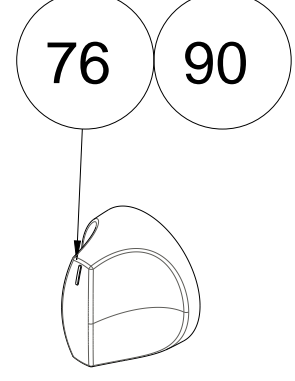
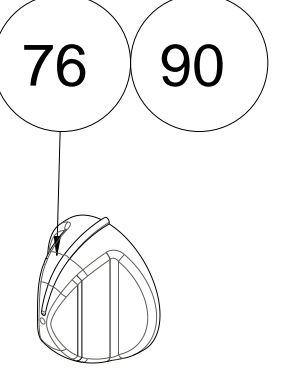
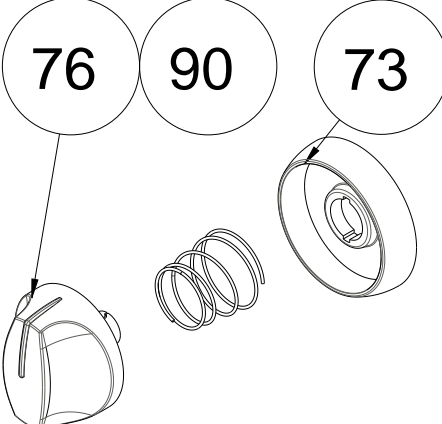
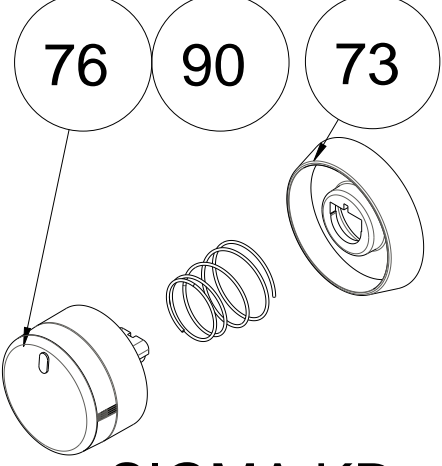
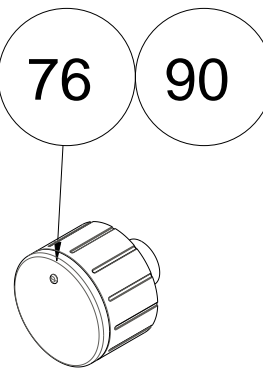
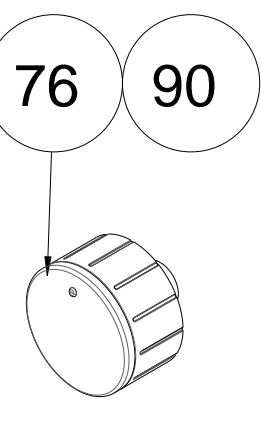
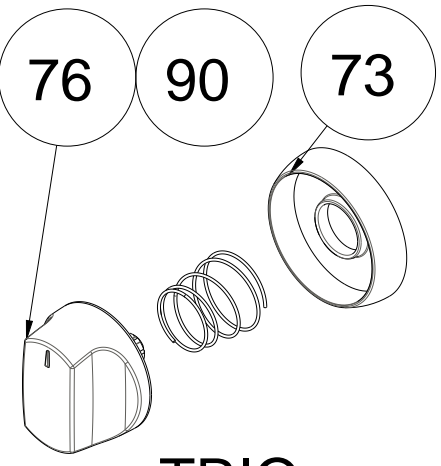
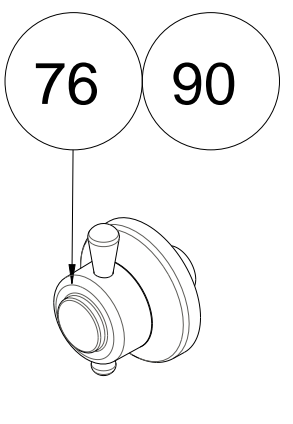
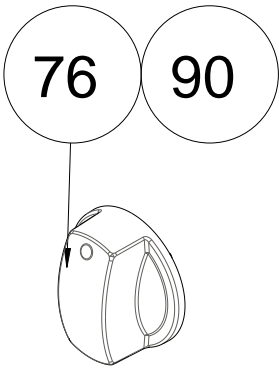
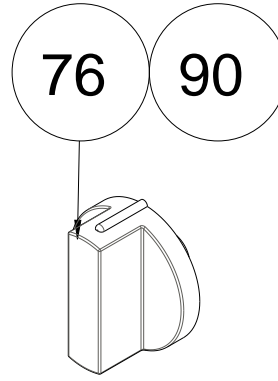
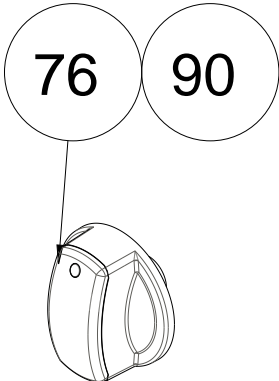
302

204

LEFT

CURVED QUADRANGLE

KNOBBS (ONLY FOR FS - OPTIONAL)

 <p>76 90</p> <p>DELTA</p>	 <p>76 90 73</p> <p>DELTA RING</p>	 <p>76 90 73</p> <p>SIGMA (SMALL)</p>	 <p>76 90</p> <p>ALFA</p>	 <p>76 90</p> <p>GAMA</p>	 <p>76 90</p> <p>ZETA</p>
 <p>76 90 73</p> <p>ELECTROLUX</p>	 <p>76 90 73</p> <p>SIGMA KD</p>	 <p>76 90</p> <p>SMALL MACRO</p>	 <p>76 90</p> <p>BIG MACRO</p>	 <p>76 90 73</p> <p>TRIO</p>	 <p>76 90</p> <p>RUSTIC RISUS</p>
 <p>76 90</p> <p>ECLIPSE</p>	 <p>76 90</p> <p>NORD</p>	 <p>76 90</p> <p>JANNU</p>			