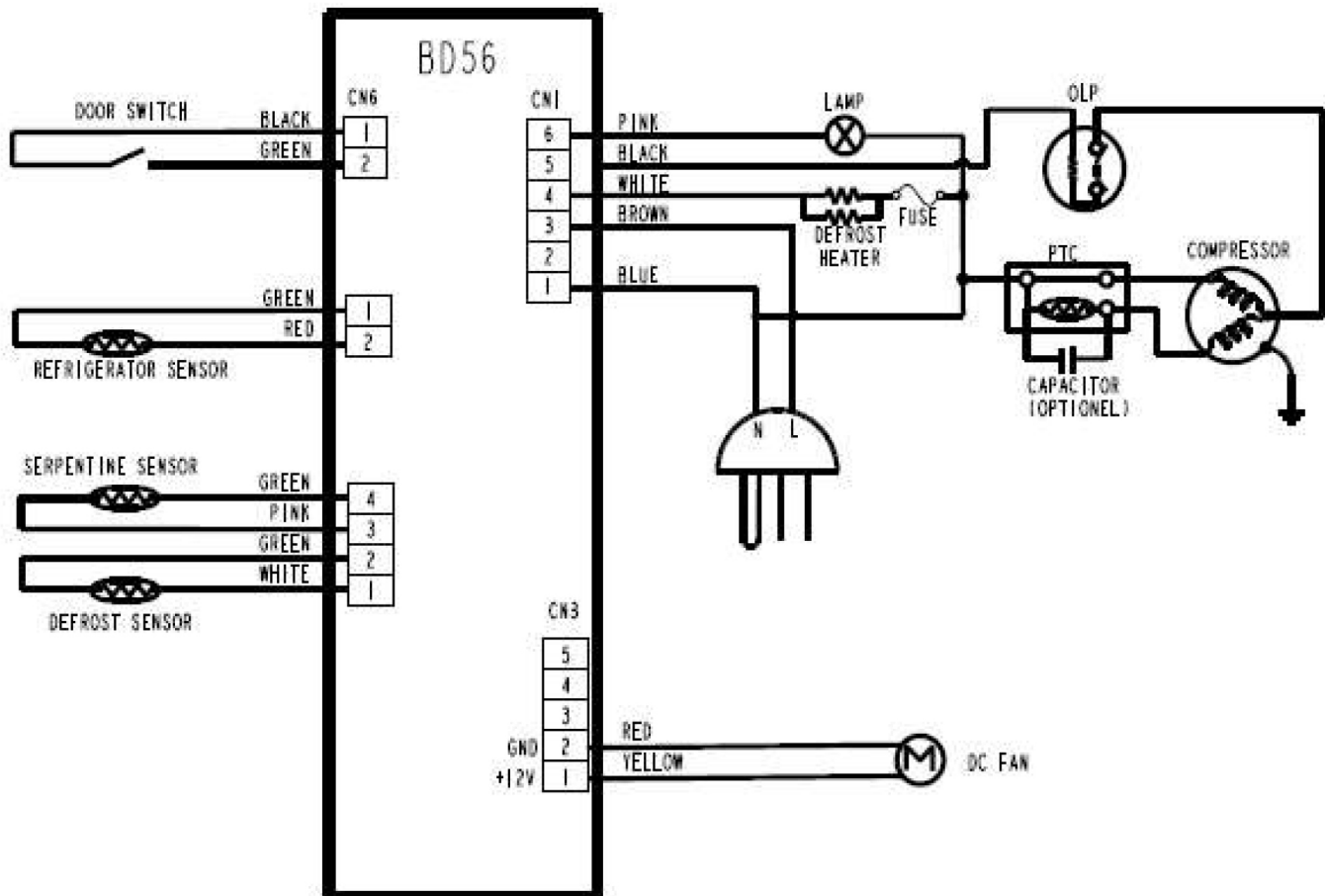


**289 MECHANIC**  
**CIRCUIT DIAGRAM**

**CUSTOMER  
SUPPORT**



**JANUARY 2019**