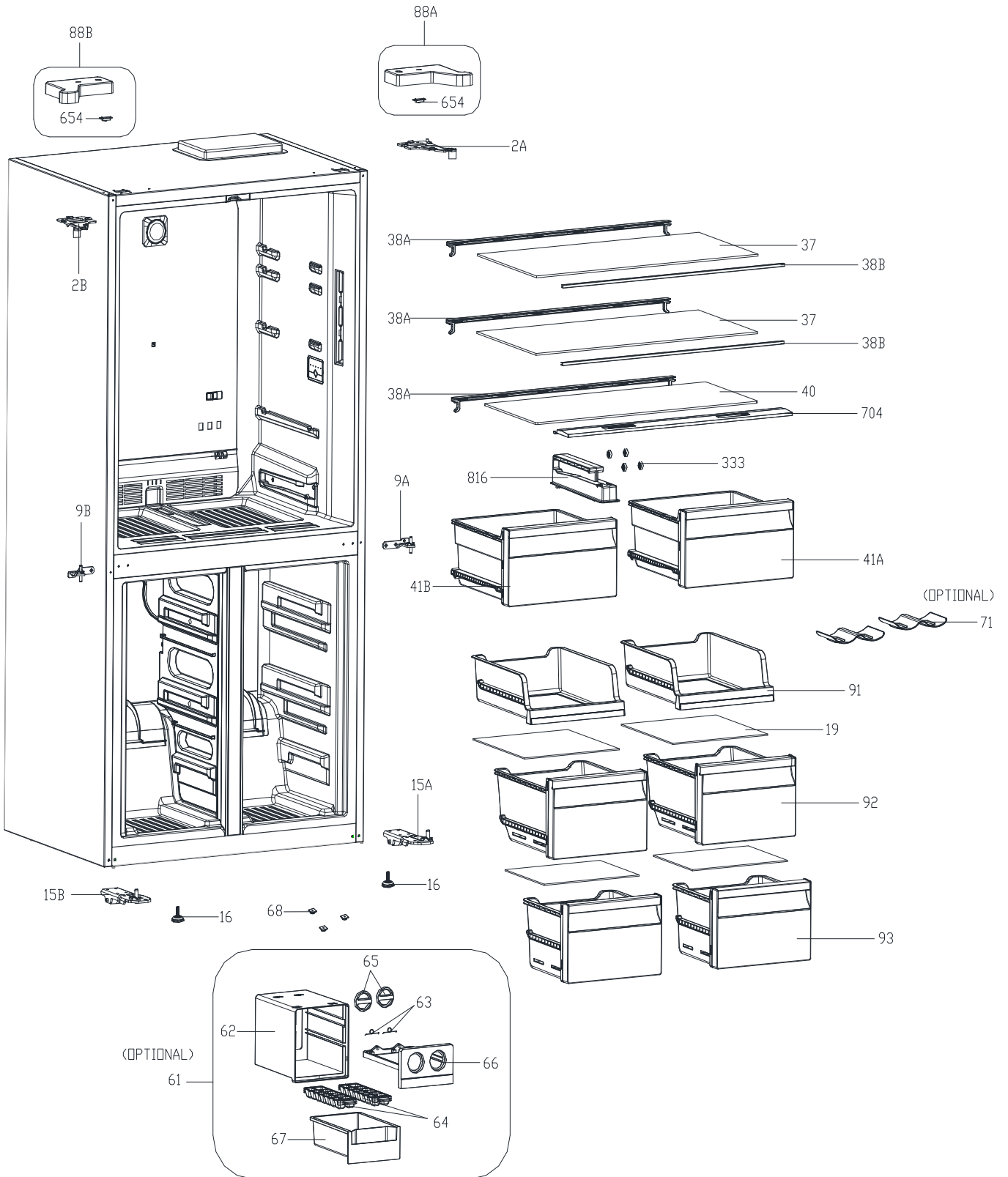


VESTEL
WHITE GOODS

620 ELECTRONIC
INTERIOR PARTS

CUSTOMER
SUPPORT



OCTOBER 2021

VESTEL WHITE GOODS	620 ELECTRONIC	CUSTOMER SUPPORT
	INTERIOR PARTS LIST	

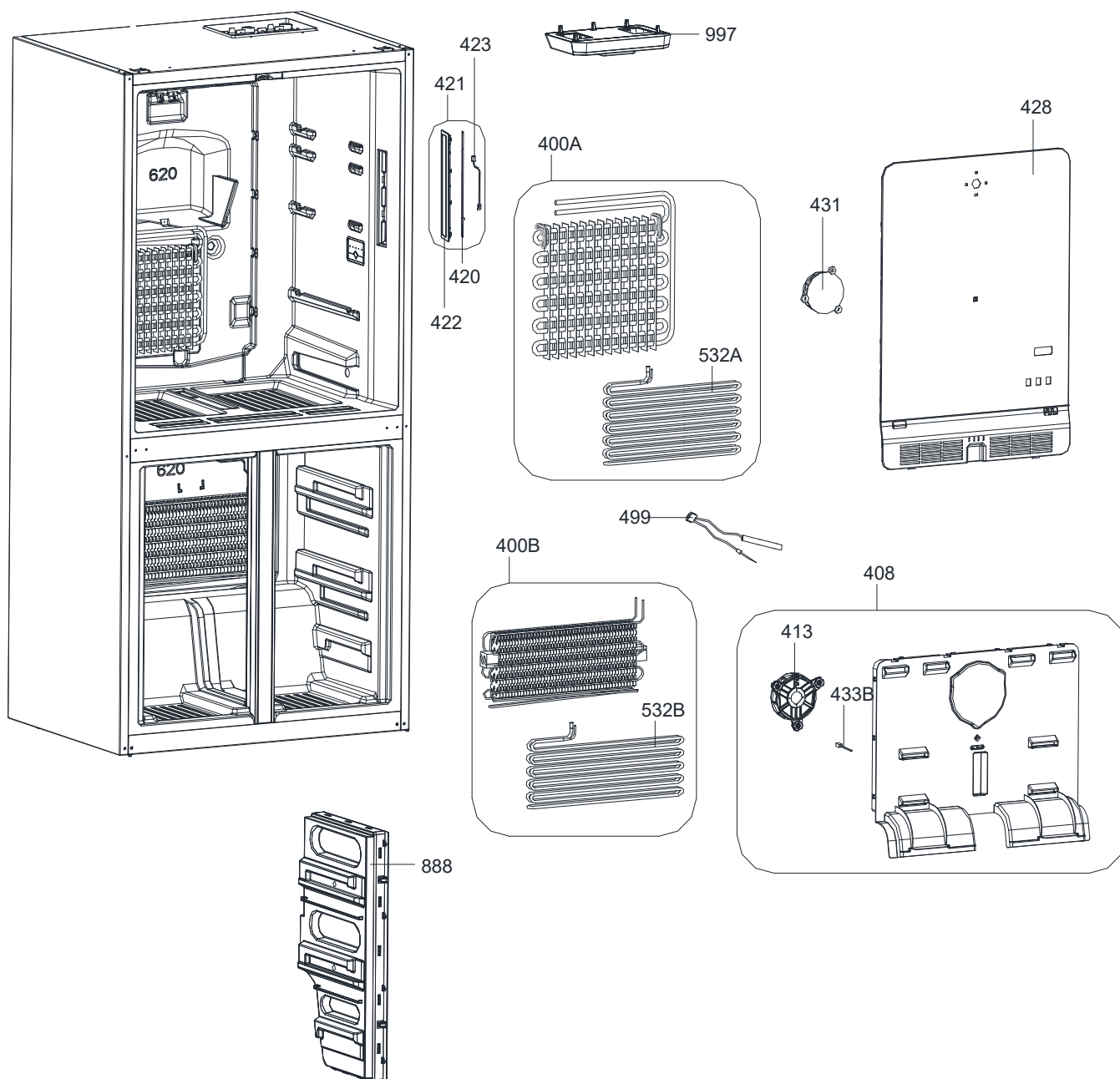
POSITION NUMBER	PART NAME
2A	TOP HINGE GR/RIGHT 620
2B	TOP HINGE GR/LEFT 620
9A	MIDDLE HINGE GR/RIGHT 620
9B	MIDDLE HINGE GR/LEFT 620
16	ADJUSTABLE FOOT M8X35
15A	BOTTOM HINGE/RIGHT 620
15B	BOTTOM HINGE/LEFT 620
19	F GLASS SHELF/620
37	R GLASS SHELF/620
38A	R.GLASS SHELF BACK TRIM 643
38B	R.GLASS SHELF FRONT TRIM 643
40	CRISPER GLASS SHELF/620
41A	CRISPER/620 RIGHT
41B	CRISPER/620 LEFHT
61	ICEMATIC/653 (OPTIONAL)
62	ICEMAKER COVER/653
63	ICE TRAY SPRING
64	ICETRAY 653
65	ICETRAY KNOB/653
66	ICETRAY FRAME/653
67	ICEMAKER BASKET/653
68	HOLDER PIN-653
71	WINE RACK PLS (OPTIONAL)
88A	TOP HINGE COVER GR/RIGHT 620
88B	TOP HINGE COVER GR/LEFT 620
91	F.STORAGE RACK GR/620
92	FREEZER MIDDLE BASKET GR
93	FREEZER BOTTOM BASKET GR
333	CRISPER ROLLER/540
654	REED SWITCH GR
704	CRISPER FLAP GR
816	CRSIPER PARTITION GR/620

OCTOBER 2021

VESTEL
WHITE GOODS

620 ELECTRONIC
MULTIFLOW PARTS

CUSTOMER
SUPPORT



OCTOBER 2021

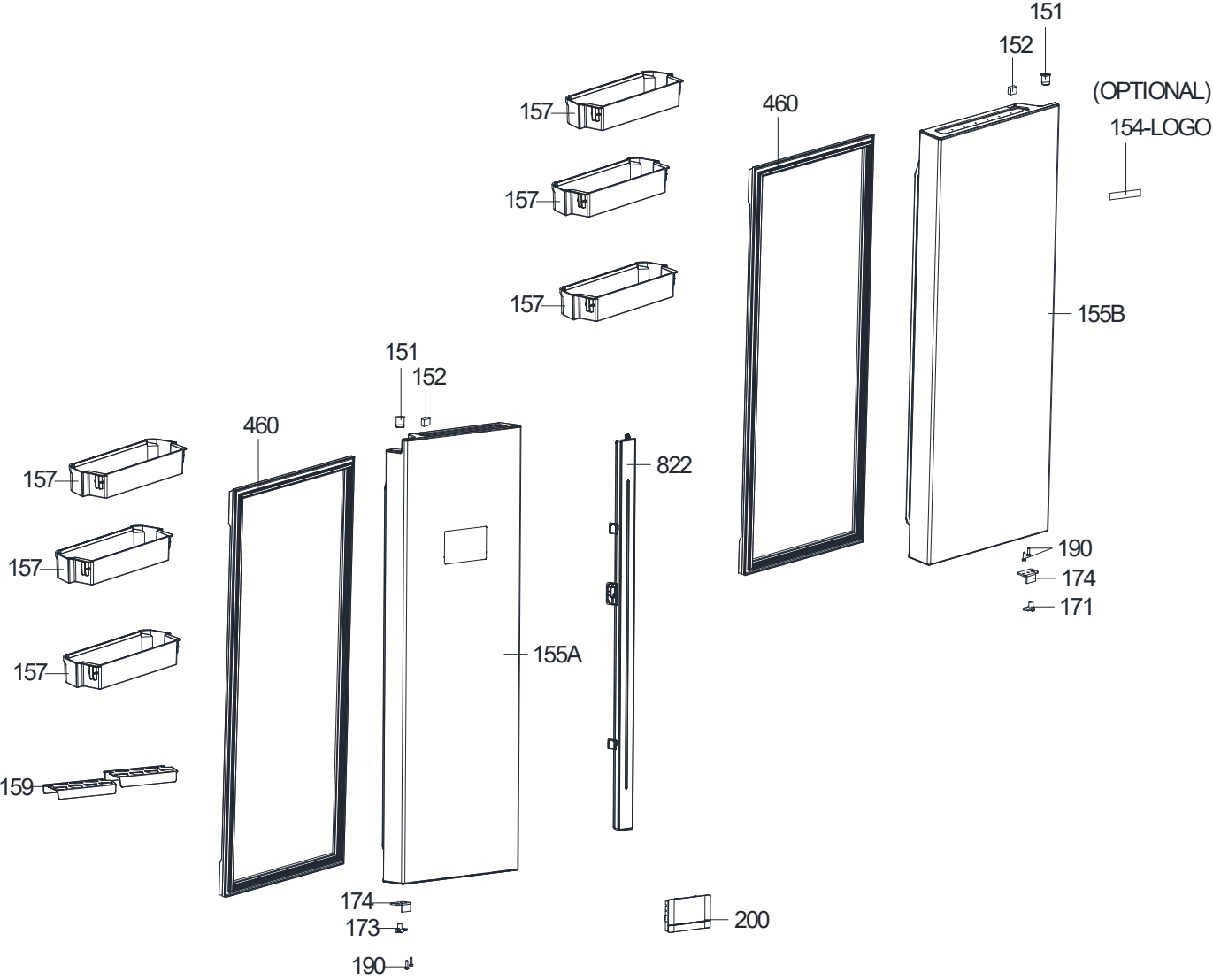
VESTEL WHITE GOODS	620 ELECTRONIC	CUSTOMER SUPPORT
	MULTIFLOW PARTS LIST	

POSITION NUMBER	PART NAME
400A	FIN EVAP/620-COOLER
400B	FIN EVAP/620-FREEZER
408	F MULTIFLOW GR/620
413	RADYAL FAN MOTOR
420	LED ST/2835*9/8*220MM/BDL02 (U)
421	LED COVER GR
422	LED COVER
423	LED CABLE
428	R MULTI FLOW GR./620
431	FAN MOTOR
433B	SENSOR/STANDARD/R6K/800MM
499	TERMAL FUSE
532A	FIN EVAP HEATER/COOLER/620
532B	FIN EVAP HEATER/FREEZER/620
888	FREEZER RAIL
997	PC FILTER

OCTOBER 2021

VESTEL WHITE GOODS	620 ELECTRONIC	CUSTOMER SUPPORT
	DOOR ASSY. PARTS-1	

UPPER DOOR GROUP



OCTOBER 2021

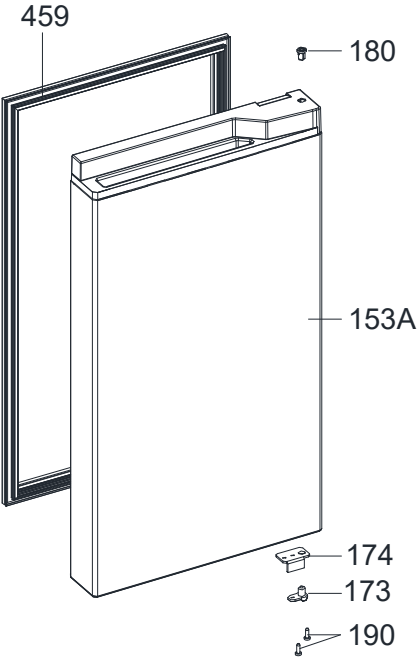
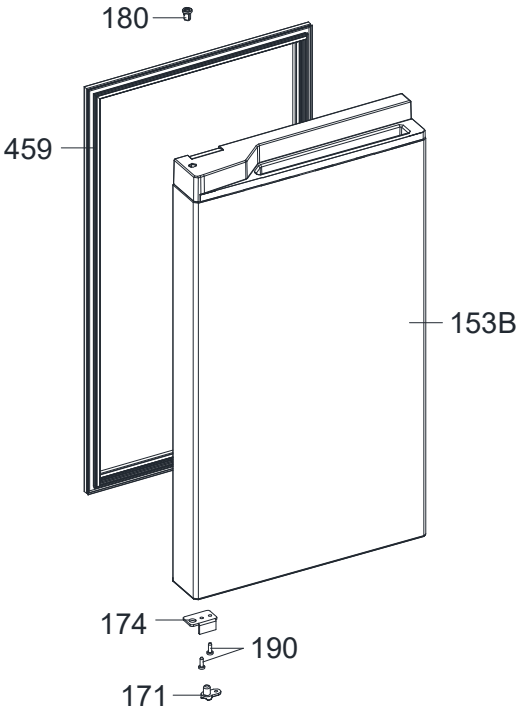
VESTEL WHITE GOODS	620 ELECTRONIC	CUSTOMER SUPPORT
	DOOR ASSY. PARTS LIST-1	

POSITION NUMBER	PART NAME
151	BUSHING/910
152	MAGNET
154	LOGO
155A	R DOOR ASSY/620-LEFT
155B	R DOOR ASSY/620-RIGHT
157	DOOR SHELF/620
159	EGG HOLDER
171	STOPPER/620-RIGHT
173	STOPPER/620-LEFT
174	STOPPER REINFORCEMENT SHEET/620
190	SCREW,P,RYSB,3.5X12,C,ST,A3K
200	DISP.PAN.GR
460	R DOOR GASKET/620
822	TRIZ BAR GR.620

OCTOBER 2021

VESTEL WHITE GOODS	620 ELECTRONIC	CUSTOMER SUPPORT
	DOOR ASSY. PARTS-2	

**BOTTOM
DOOR GROUP**



OCTOBER 2021

VESTEL WHITE GOODS	620 ELECTRONIC	CUSTOMER SUPPORT
	DOOR ASSY. PARTS LIST-2	

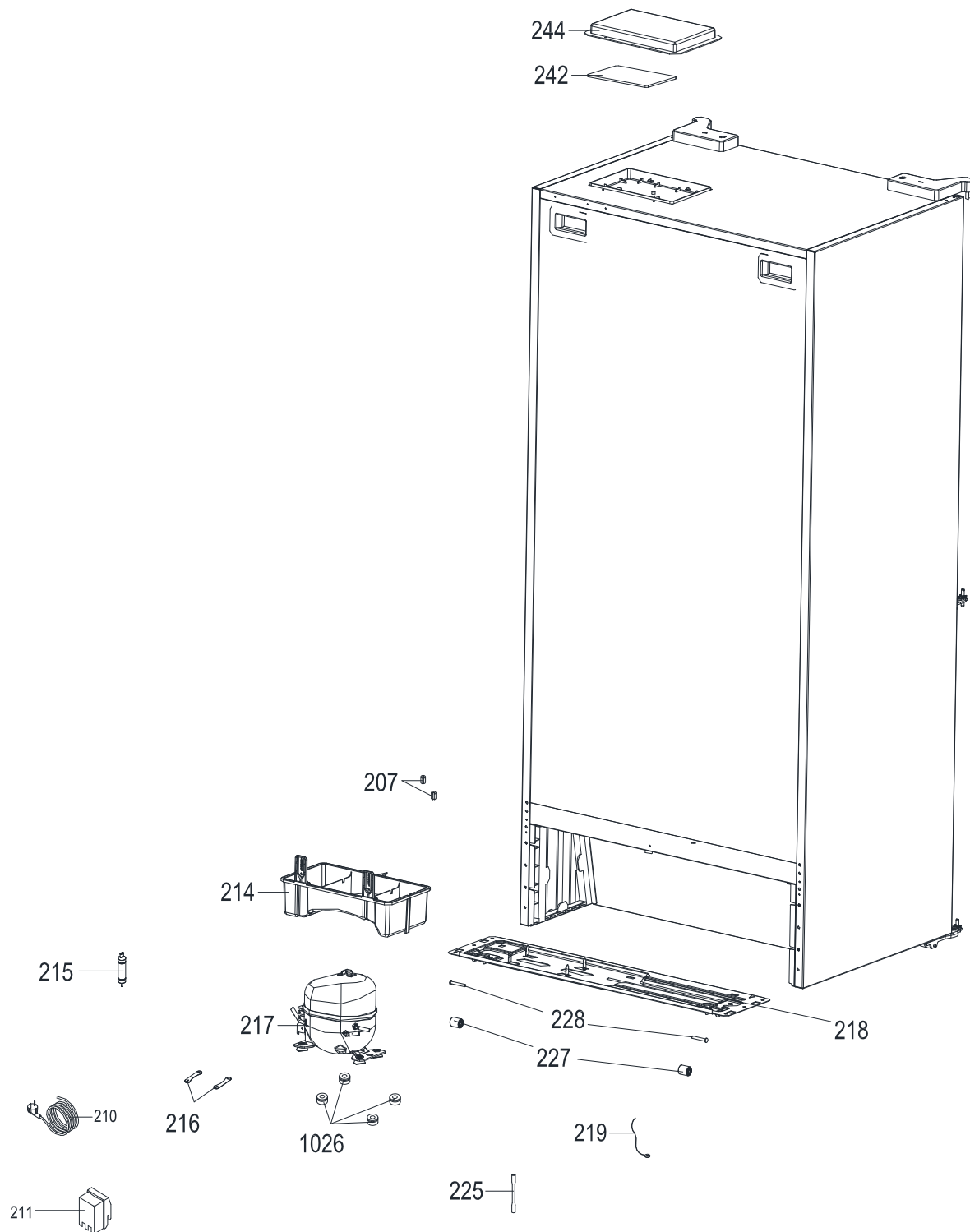
POSITION NUMBER	PART NAME
153A	F DOOR ASSY/620-LEFT
153B	F DOOR ASSY/620-RIGHT
171	STOPPER/620-RIGHT
173	STOPPER/620-LEFT
174	STOPPER REINFORCEMENT SHEET/620
180	BUSHING/345S
190	SCREW,P,RYSB,3.5X12,C,ST,A3K
459	F DOOR GASKET/620

OCTOBER 2021

VESTEL
WHITE GOODS

620 ELECTRONIC
COOLING SYSTEM PARTS

CUSTOMER
SUPPORT



OCTOBER 2021

VESTEL WHITE GOODS	620 ELECTRONIC	CUSTOMER SUPPORT
	COOLING SYSTEM PARTS LIST	

POSITION NUMBER	PART NAME
207	ANTIVIBRATION (CONDANSER)
210	POWER CORD
211	INVERTER
214	EVAPORATING TRAY GR
215	DRYER
216	COMP FIXING BRACKET
217	COMPRESSOR
218	COMP BASEMENT
219	GROUNDLY WIRE
225	SERVICE TUBE
227	FRONT/BACK WHEEL
228	REAR WHELL PIN
242	MAIN BOARD/620
244	MAIN BOARD BOX
1026	COMP.RUBBER

OCTOBER 2021