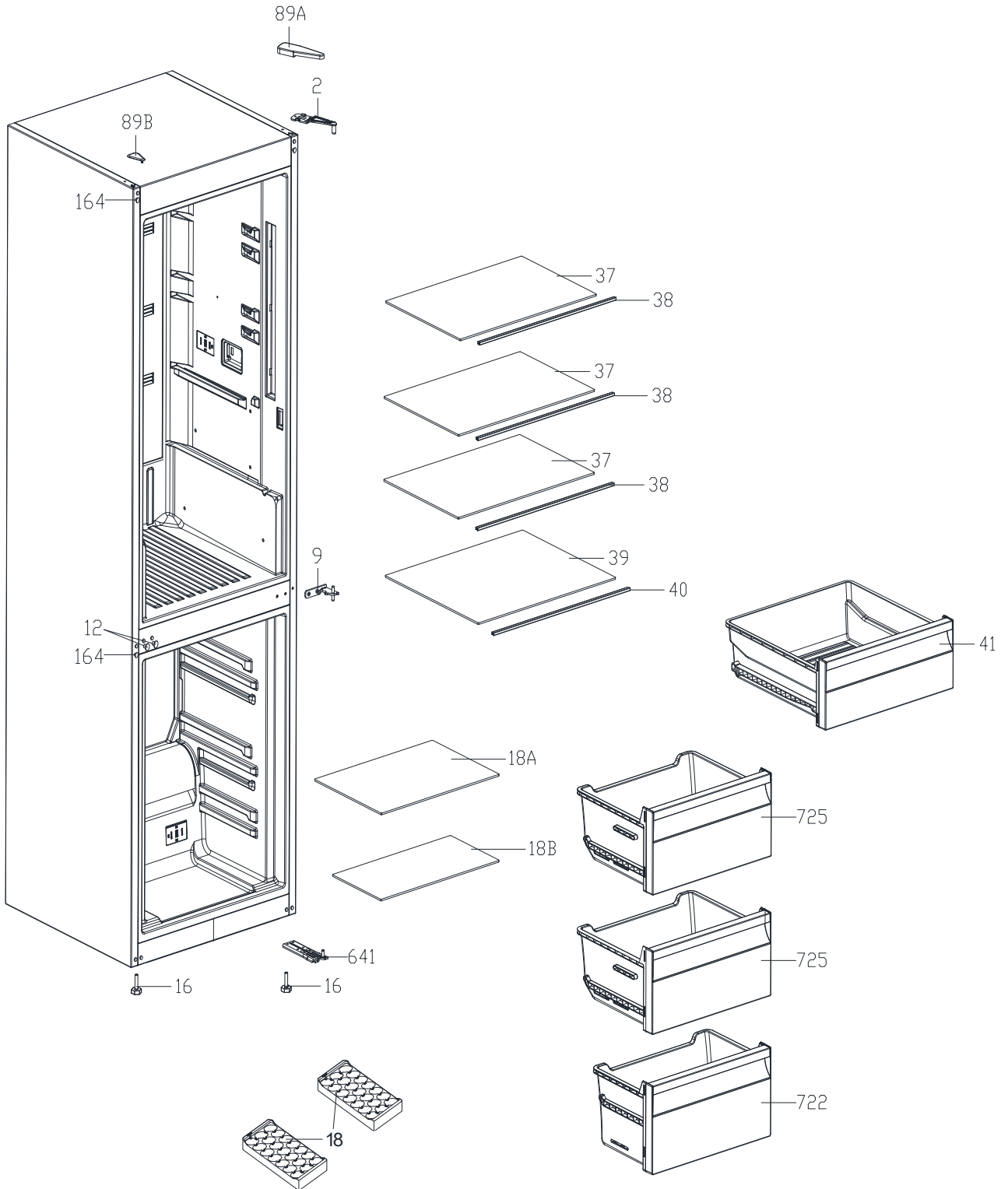


	<b>379 ELECTRONIC - FDUO</b>	<b>CUSTOMER SUPPORT</b>
	<b>INTERIOR PARTS</b>	

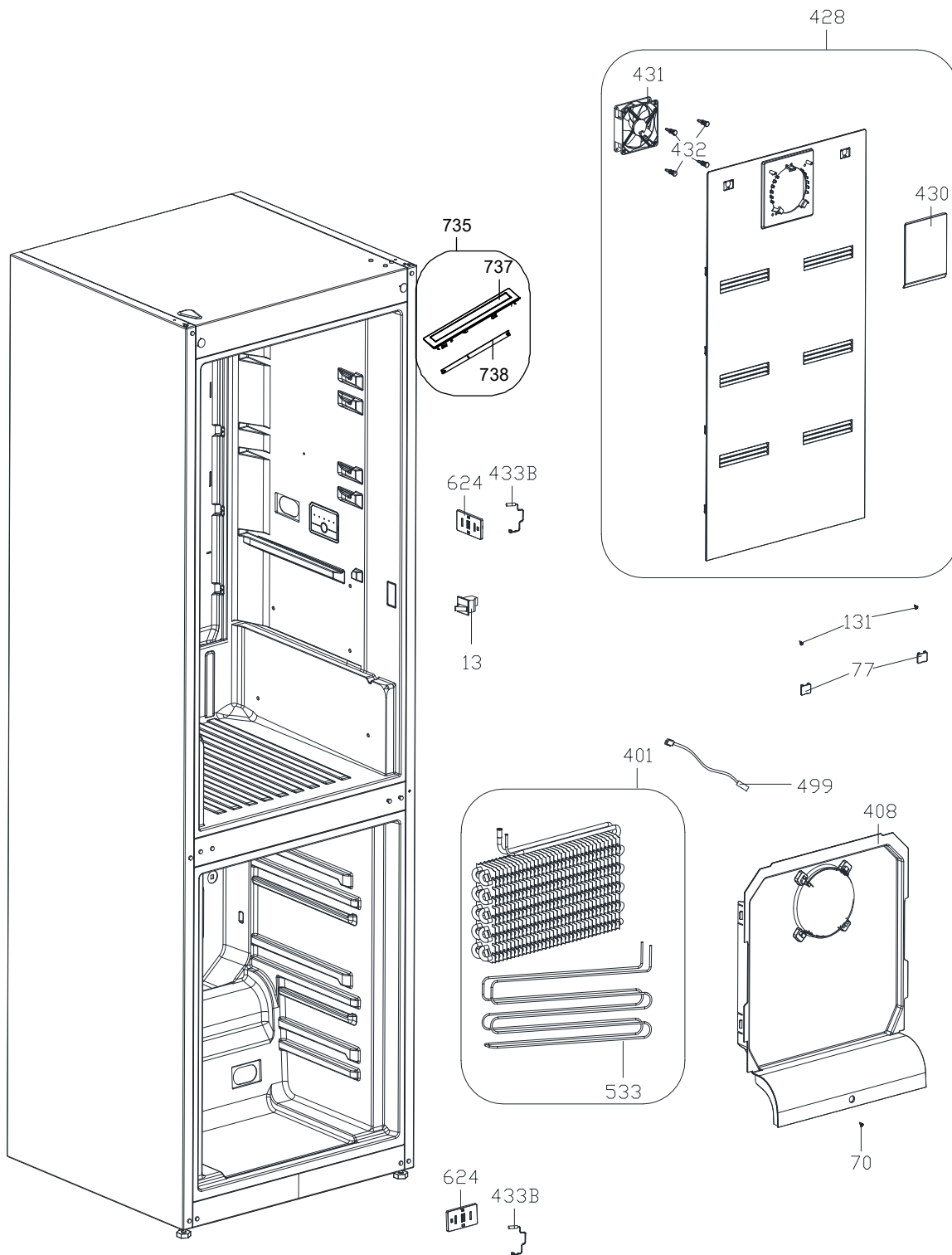


**APRIL 2021**

<b>HYUNDAI</b>	<b>379 ELECTRONIC - FDUO</b>	<b>CUSTOMER SUPPORT</b>
	<b>INTERIOR PARTS LIST</b>	

<b>POSITION NUMBER</b>	<b>PART NAME</b>
2	TOP HINGE
9	HINGE MIDDLE
12	MIDDLE HINGE SREW CAP(BIG)
16	ADJUSTABLE FOOT M8X35
18	ICE TRAY
18A	F. GLASS SHELF TOP GR/379
18B	F. GLASS BOTTOM GR/379
37	R GLASS SHELF/379
38	R.GLASS SHELF FRONT
39	CRISPER GLASS SHELF/379
40	CRISPER FLAP GR/379
41	CRISPER GR/379
89A	HINGE COVER
89B	HINGE COVER CAP
164	DOOR HANDLE SCREW CAP
641	BOTTOM HINGE GR/373
722	BOTTOM BASKET GR./379
725	TOP BASKET GR./379

**APRIL 2021**



<b>HYUNDAI</b>	<b>379 ELECTRONIC - FDUO</b>	<b>CUSTOMER SUPPORT</b>
	<b>MULTIFLOW PARTS LIST</b>	

<b>POSITION NUMBER</b>	<b>PART NAME</b>
13	LAMP SWITCH
77	HEAD PANEL CAP/2451S
131	SCREW KA 40*14 YSB-C-INOX
401	FIN EVAPORATOR/353-373
408	F MULTIFLOW
428	R MULTI FLOW
430	COOLING FAN
431	TUR.FAN MOT
432	MOTOR FAN KAU.916-NEW
533	FIN EVAP HEATER/373/230V/124W
735	LED/COVER/GR/319/VEL
737	LED COVER/319
738	LED STRIP
433B	SENSOR/STANDARD/R6K/70MM/SINGLE

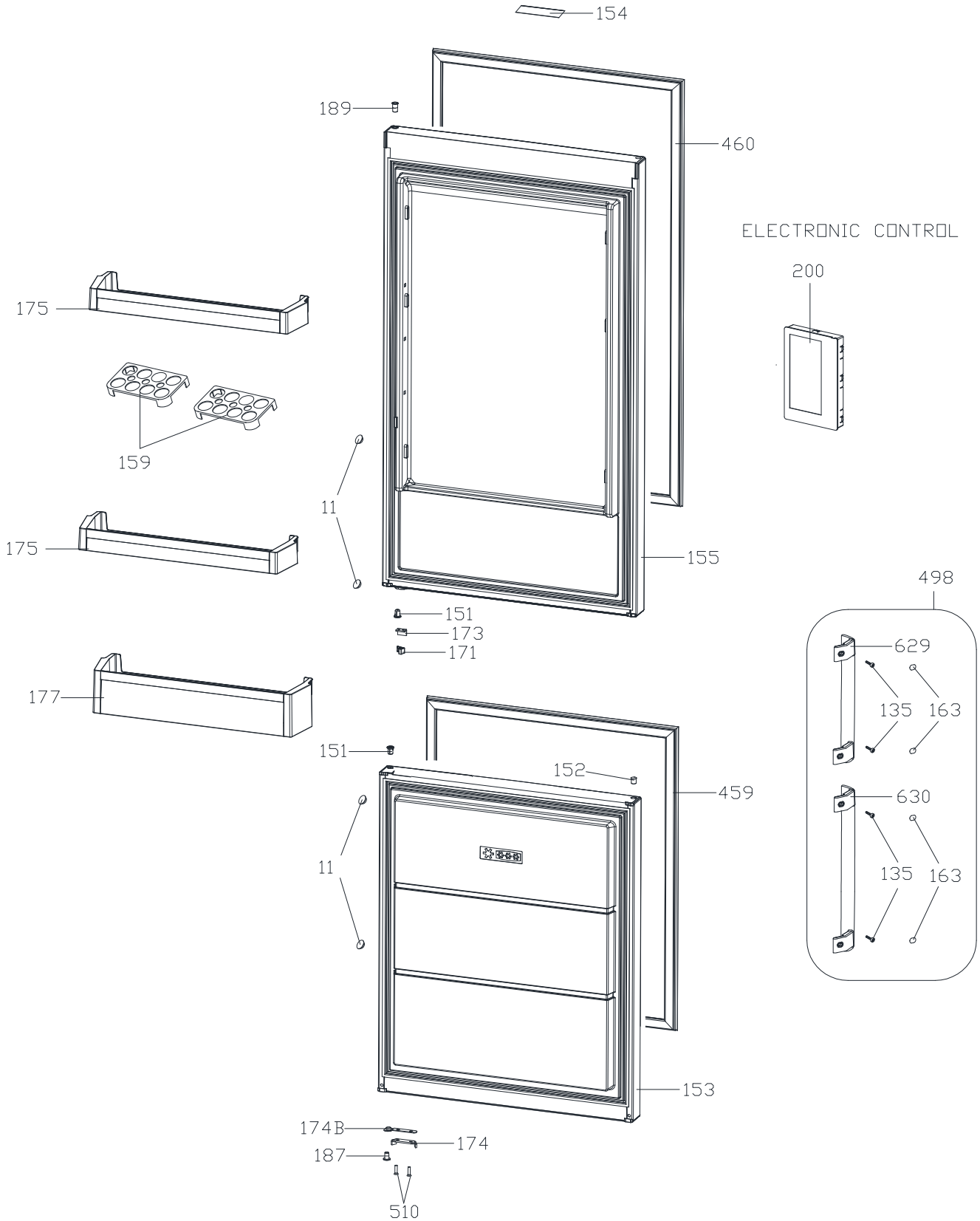
**APRIL 2021**

**HYUNDAI**

**379 ELECTRONIC - FDUO**

**DOOR ASSY. PARTS**

**CUSTOMER  
SUPPORT**



**APRIL 2021**

<b>HYUNDAI</b>	<b>379 ELECTRONIC - FDUO</b>	<b>CUSTOMER SUPPORT</b>
	<b>DOOR ASSY. PARTS LIST</b>	

<b>POSITION NUMBER</b>	<b>PART NAME</b>
11	MIDDLE HINGE SREW CAP(SMALL)
135	SCREW ST 4.2*13 SPECIAL12-C
151	BUSHING/345
152	BUSHING CAP
153	F DOOR ASSY/373
154	LOGO
155	R DOOR ASSY/373
159	EGG HOLDER
163	DOOR HANDLE VMK CAP
200	DIS.PA.GR/FDUO
171	STOPPER REINFORCEMENT PLS. 373
173	DOOR CATCHER STOPPER/473
174	R BOTTOM STOPPER/HC
174B	R BOTTOM STOPPER REINFORCEMENT 473
175	CHEESE/BUT.SHELF/373
177	BOTTLE SHELF/373
187	BUSHING/345CE
189	BUSHING/540CE
459	B/D GASKET
460	T/D GASKET
498	DOOR HANDLE KIT VMK (220-370)
629	DOOR HANDLE VMK 220 GR
630	DOOR HANDLE VMK 370 GR
510	SCREW TT M5*20 YHB-F

**ABBREVIATIONS :**

ASSY : ASSEMBLY  
R : REFRIGERATOR  
F : FREEZER

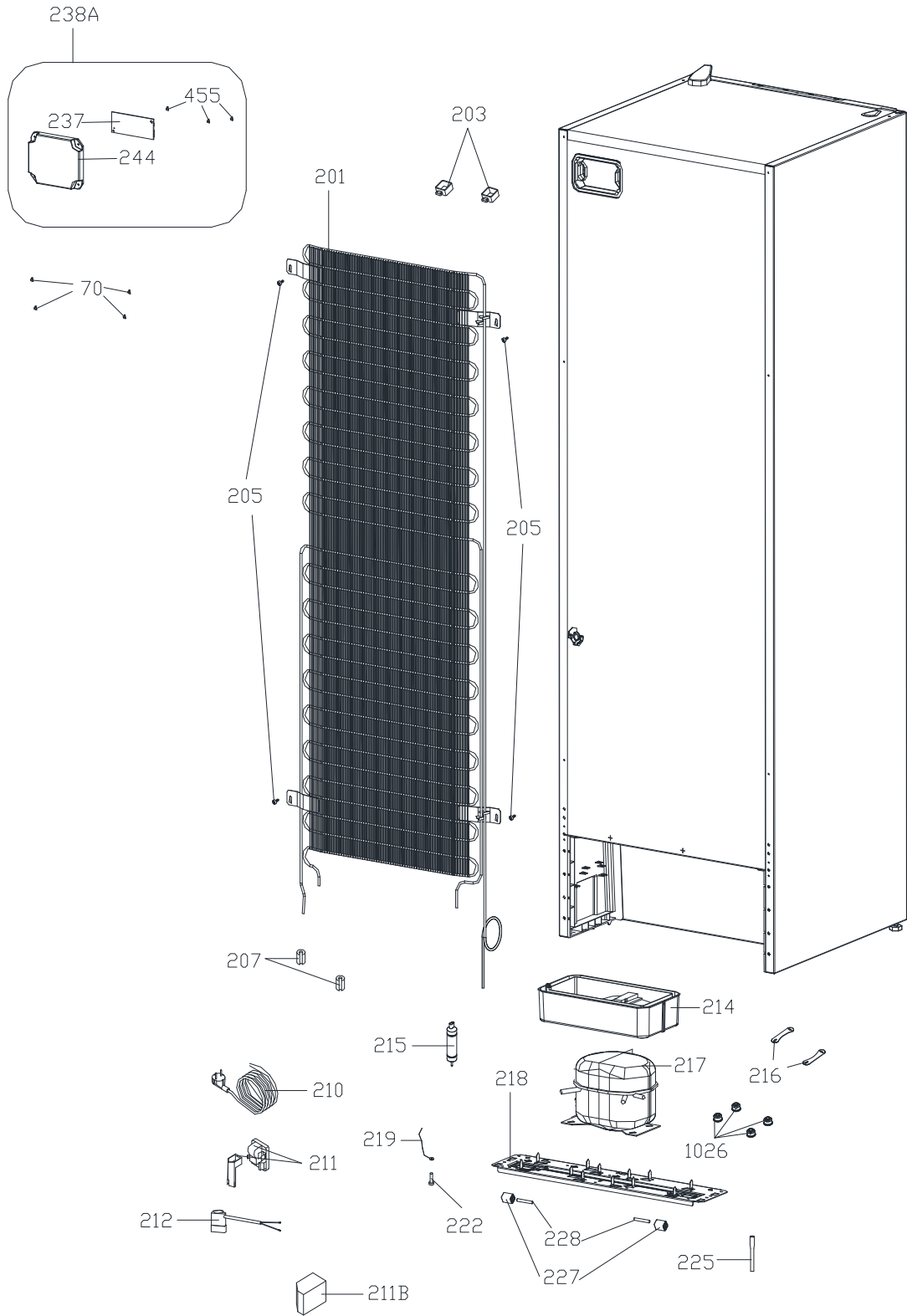
**APRIL 2021**

**HYUNDAI**

**379 ELECTRONIC - FDUO**

**CUSTOMER  
SUPPORT**

**UNIT PARTS**



**APRIL 2021**

<b>HYUNDAI</b>	<b>379 ELECTRONIC - FDUO</b>	<b>CUSTOMER SUPPORT</b>
	<b>UNIT PARTS LIST</b>	

<b>POSITION NUMBER</b>	<b>PART NAME</b>
70	SCREW KA 40*14 YSB-R-F-INOX
201	MAIN CONDANSER GR
203	SPACER
205	SCREW ST 4.8*13 YSB-T-C
207	ANTIVIBRATION (CONDANSER)
210	POWER CORD (2.5m)
211	OVER L.GR
212	CAPACITOR
214	EVAPORATING TRAY
215	DRYER
216	COMP FIXING BRACKET
217	COMPRESSOR
218	COMP BASEMENT/345
219	EARTH WIRE
222	SCREW TT M4*6 YSB-T-F
224	SCREW KA 50*14 YSB-F
225	SERVICE TUBE
227	FRONT/BACK WHEEL
228	PIN OF BACK WHEEL
237	MB/BDA02/373
244	MAINBOARD COVER
455	SCREW KA 30*6 YSB-F
1026	COMPRESSOR RUBBER
211B	COVER FOR COMPRESSOR
238A	MAINBOARD COVER GR 373

**APRIL 2021**