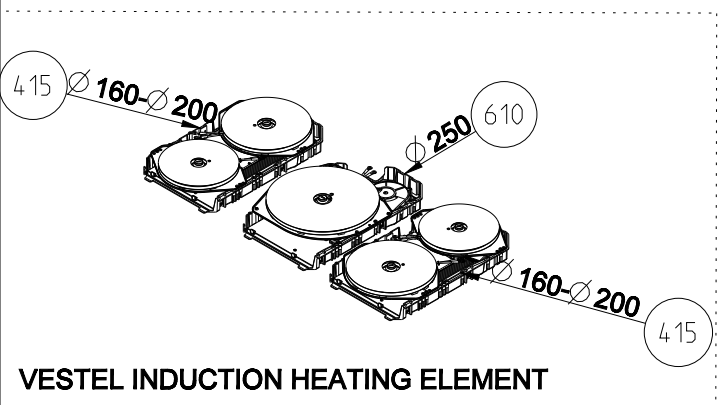


90 CM INDUCTION HOB ASSEMBLY EXPLODED VIEW



VESTEL INDUCTION HEATING ELEMENT

90 CM INDUCTION HOB ASSEMBLY SPARE PART LIST	
POSITION NUMBER	PART NAME
4	SCREW (KNURLED,3.9X9.5)
30	TERMINAL BOX
31	POWER CORD
45	IND BOTTOM LID SEMIFINISHED PR(90CM,ELC)
249	CERAMIC GLASS ASSEMBLY
355	VESTEL IND TC.CNTR SUPPORT(90CM)
415	VESTEL INDUCTION HEATING ELEMENT
429	FIXING BOLT
517	VESTEL IND.TC
518	COIL IND 81-87uH 160MM Rohs
	COIL IND 78-84uH 200MM Rohs
	COIL IND 85-90UH 250MM ROHS
519	VSTL IND LOW FAN 2800RPM 12VDC
521	WIRE SADDLE
523	SCREW P C ZN YSMB 4*10
536	SCREW (CIRCULAR-HEAD 3*6.5)
554	DATA CABLE
555	SILICON CABLE
556	VESTEL INDUCTION BOARD
557	INDUCTION PLASTIC KAIDE
558	DOMINO MAGNETIC FIELD REGULATORY
610	VESTEL INDUCTION HEATING ELEMENT (250MM)
<p>The exploded views given in this document are generic.They include all possible versions of the product.For specific part codes,please refer to the bom list of regarding model.</p>	