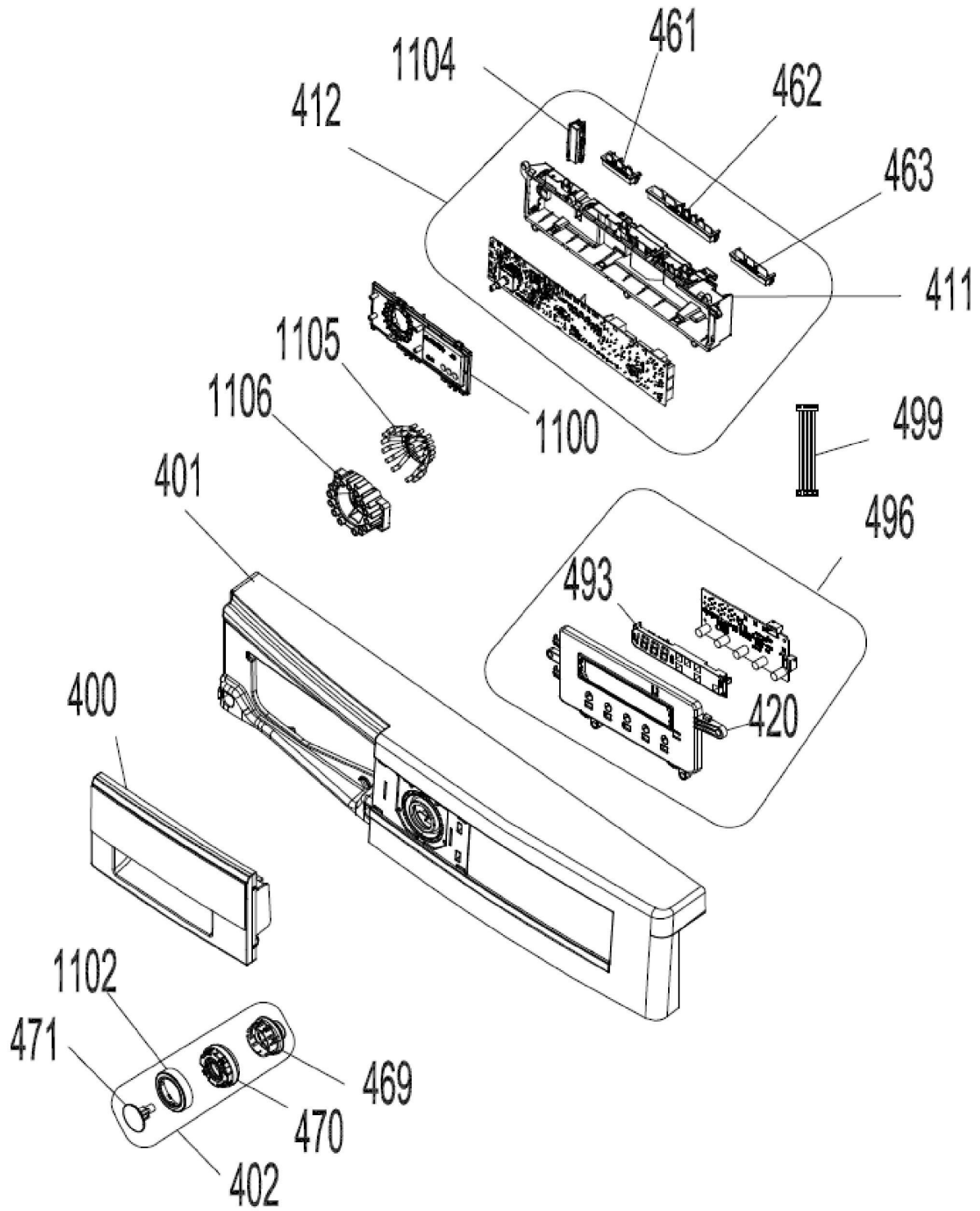


F4 TOUCH PYTHON TJ BLDC JOGDIAL EXPLODED VIEW

CONTROL PANEL PARTS

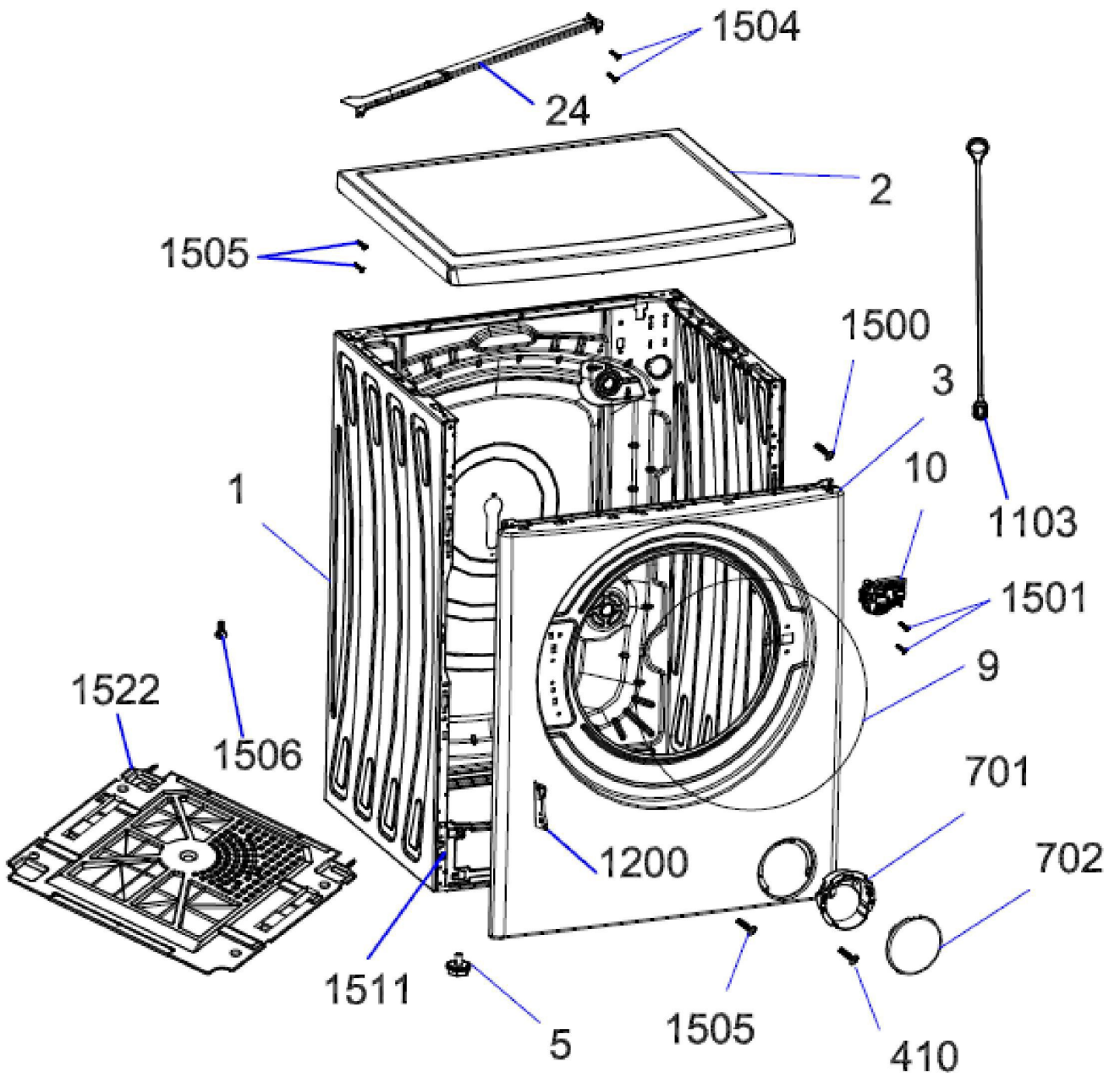


	F4 TOUCH PYTHON TJ BLDC JOGDIAL EXPLODED VIEW
--	---

NO	PART NAME	QUANTITY
400	DETERJAN DRAWER COVER	1
401	CONTROL PANEL	1
402	PR.ADJ.KN GR	1
411	PCB BOX	1
412	ELECTRONIC CARD GR.	1
415	TOUCH BUTTON-16MM	7
496	DISPLAY CARD GR	1
420	DISPLAY CARD BOX	1
493	TOUCH CARD BOX INSERT	1
461	SOCKET HOLDER-J1	1
462	SOCKET HOLDER-J2	1
463	SOCKET HOLDER-J3	1
*469	PROGRAM SELECTION KNOB INSERT	1
*470	PR.SELECTION KNOB BODY	1
*471	PR.SELECTION KNOB COVER	1
499	DISPLAY COMMUNICATION CABLE	1
500	CONTROL PANEL GR.	1
1100	PCB BOX REAR COVER	1
*1102	PROGRAM SELECTION KNOB RING	1
1104	SOCKET HOLDER-J4	1
1105	LIGHTGUIDE SPACER	1
1106	LIGHTGUIDE COVER	1

***469-470-471-1102 “This spare part is optional and depends on agreed specifications. Therefore you may not find this position number in product’s spare part list.”**

FRONT PANEL PARTS



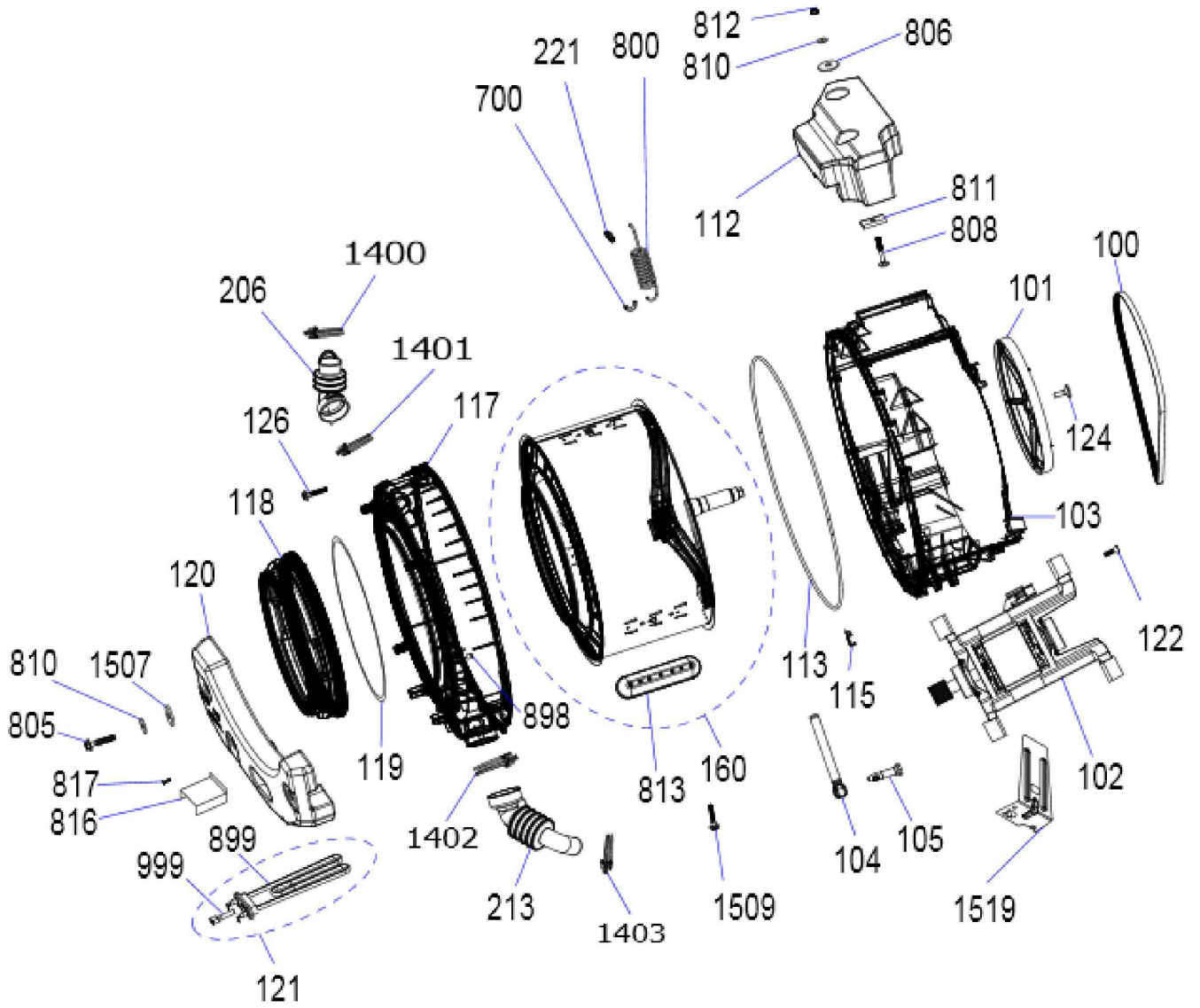
	F4 TOUCH PYTHON TJ BLDC JOGDIAL EXPLODED VIEW
--	---

NO	PART NAME	QUANTITY
1	BODY GROUP PAINTED	1
2	UPPER TRAY GROUP	1
3	FRONT PANEL GROUP	1
5	ADJUSTABLE FEET	4
9	BODY-GASKET CLAMP	1
10	DOOR LOCK	1
24	UPPER SUPPORT BRAKET	1
410	SCREW 4X12 TORX PAN HE.W.COL.UND.HE.SER.	1
701	PUMP COVER HOUSING	1
702	PUMP COVER	1
*1103	EMERGENCY LOCK RELEASE	1
1200	HINGE SUPPORT SHEET	1
*1315	FLOOR PLASTIC GR	1
1500	ST 4,8X9,5 PAN HE.WITH COL.TORX UN.SER.E	4
1501	ISO 7049 ST 4,2X16 TORX	2
1504	ISO 7049 ST 4,2X13 TORX	2
1505	ST 4,2X9,5 TRTSB	5
*1506	SCREW TT M4X8 TSB	1
1511	FRONT PANEL DROP FIXING PLASTIC-I-B	2
*1522	FLOOR PLASTIC GR	1

***1103 - 1315 – 1506 - 1522 “This spare part is optional and depends on agreed specifications. Therefore you may not find this position number in product’s spare part list.”**

F4 TOUCH PYTHON TJ BLDC JOGDIAL EXPLODED VIEW

WASHING GROUP PARTS



F4 TOUCH PYTHON TJ BLDC JOGDIAL EXPLODED VIEW

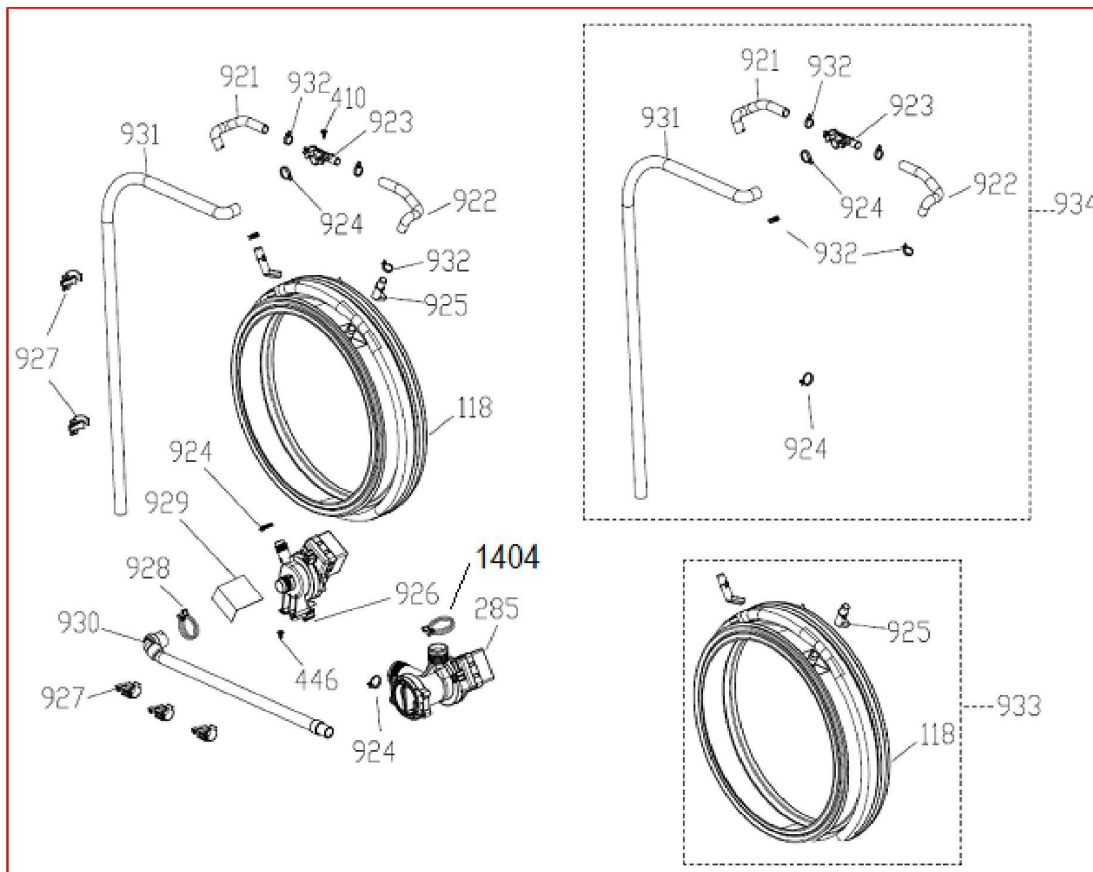
REF. NO	PART NAME	QTY
100	BELT	1
101	DRIVEN PULLEY	1
102	MOTOR	1
103	REAR TUB GROUP	1
104	SHOCK ABSORBER	3
105	SHOCK ABSORBER PIN	3
112	UPPER CONCRETE WEIGHT	1
113	TUB SEAL	1
115	RESISTANCE FIXING WIRE	1
117	FRONT TUB	1
118	TUB BELLOWS SEAL	1
119	TUB GASKET CLIP	1
120	FRONT CONCRETE WEIGHT	1
121	RESISTANCE GR	1
122	SCREW FIXING MOTOR-REAR TUB ASSY.(COUNTERSUNK HEAD BOLT 8X28 TORX)	4
124	BOLT FIXING DRIVEN PULLEY-DRUM SHAFT ASSY. (37020184 SCREW M8x29 THB)	1
*126	BOLT FIXING FRONT TUB-REAR TUB ASSY.(HEXAGON HEAD BOLT 6X30 PT)	*19/24
160	DRUM GROUP	1
206	TUB ENTERANCE WITH BELLOW HOSE	1
213	TUB EXIT BELLOW HOSE WITH BALL	1
221	HANGER SPRING SHEETIRON PLS	2
700	TUB HANGER SPRING PART	2
800	TUB SPRING-PYTHON	2
805	HEXAGON HEAD BOLT 10 X 52	4
806	PLAIN WASHER 8.4X28X3	2
808	MUSHROOM HEAD SQUARE NECK BOLT M 8X65	2
810	WASHER USED AT COUNTERWEIGHT-TUB ASSYS. (CONICAL SPRING WASHER 8.4X18X2 (DIN 6796) (SAFETY))	6
811	UPPER COUNTERWEIGHT BOLT SUPPORT SHEET	2
812	NUT FIXING UPPER COUNTERWITGHT-TUB ASSY. (HEX.NUT WITH FLANGE SERRATED M8 DIN6923)	2
813	PLASTIC LIFTER	3
*816	RESISTANCE PROTECTION FOIL-1-C	1
*817	SCREW FIXING RES. PROT. FOIL-TUB ASSY.(SCREW 3,5X7PAN HEAD WITH COLAR CROSS RE.)	2
898	PSW HOSE MOUNTING RUBBER-10MM	1
899	RESISTANCE WITHOUT NTC	1
999	NTC	1
1400	SCREWED HOSE CLAMP Ø65	1
1401	SPRING TYPE BANT CLAMP	1
1402	HOSE CLAMP SCREW TYPE Ø72	1
1403	HOSE CLAMP Ø38,8	1
1507	WASHER USED TO FIX FRONT COUNTERWEIGHT(PLAIN WASHER 10.5X40X2.5)	4
*1509	SCREW 4X14 PAN HEAD TORX INOX	3
1519	BRACKET_BLDC	1

***816 – 817-1400 -1509 “This spare part is optional and depends on agreed specifications. Therefore you may not find this position number in product’s spare part list.”**

***126 – “Mentioned material varies due to product capacity. Please control the amount of material over product then order.”**

F4 TOUCH PYTHON TJ BLDC JOGDIAL EXPLODED VIEW

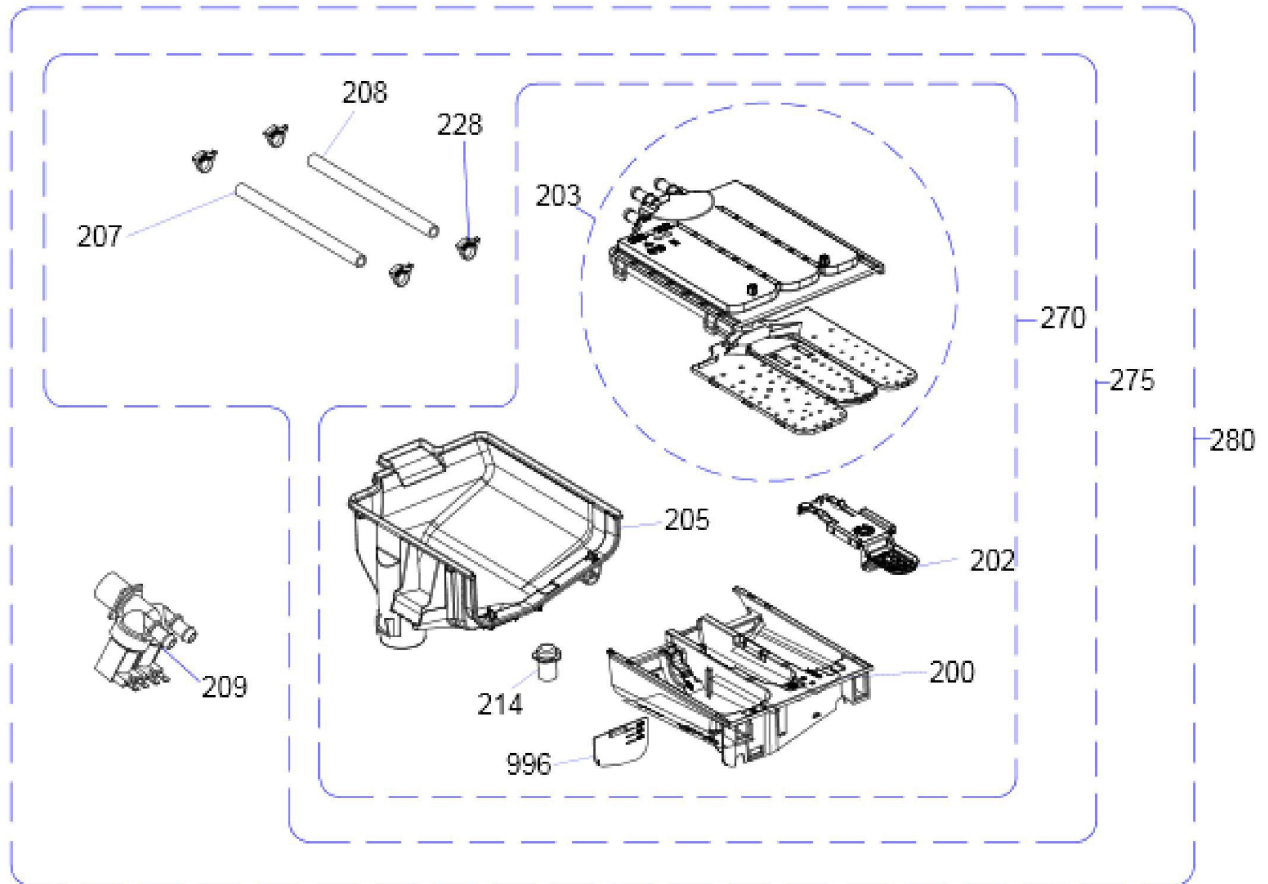
CIRCULATION GROUP



NO	PART NAME	QUANTITY
118	TUB BELLOWS SEAL	1
285	PUMP GROUP(FILTER)(THER. PROTECT.)	1
410	SCREW 4X14 PAN HEAD TYPE 2	1
446	ISO 7049 ST 4,2x13 TYPE 2	1
921	TWIN JET HORN/LEFT	1
922	TWIN JET HORN/RIGHT	1
923	TWIN JET T-ELBOW	1
924	HANDCUFFS Ø20,2	3
925	TWIN JET NOZZLE	2
926	CIRCULATION PUMP	1
927	TWIN JET CABLE HOSE HOLDER PLASTIC	5
928	HANDCUFFS Ø26,8	1
929	PUMP PROTECTION FOIL-3	1
930	TWIN JET HOSE_N NO:1	1
931	TWIN JET HOSE_H NO:2	1
932	HANDCUFFS Ø15,88	4
933	PYTHON-CIRCULATION TUB GASKET GR	1
934	TWIN _JET HOSE GROUP	1
1404	HOSE CLAMP Å~35,0	1

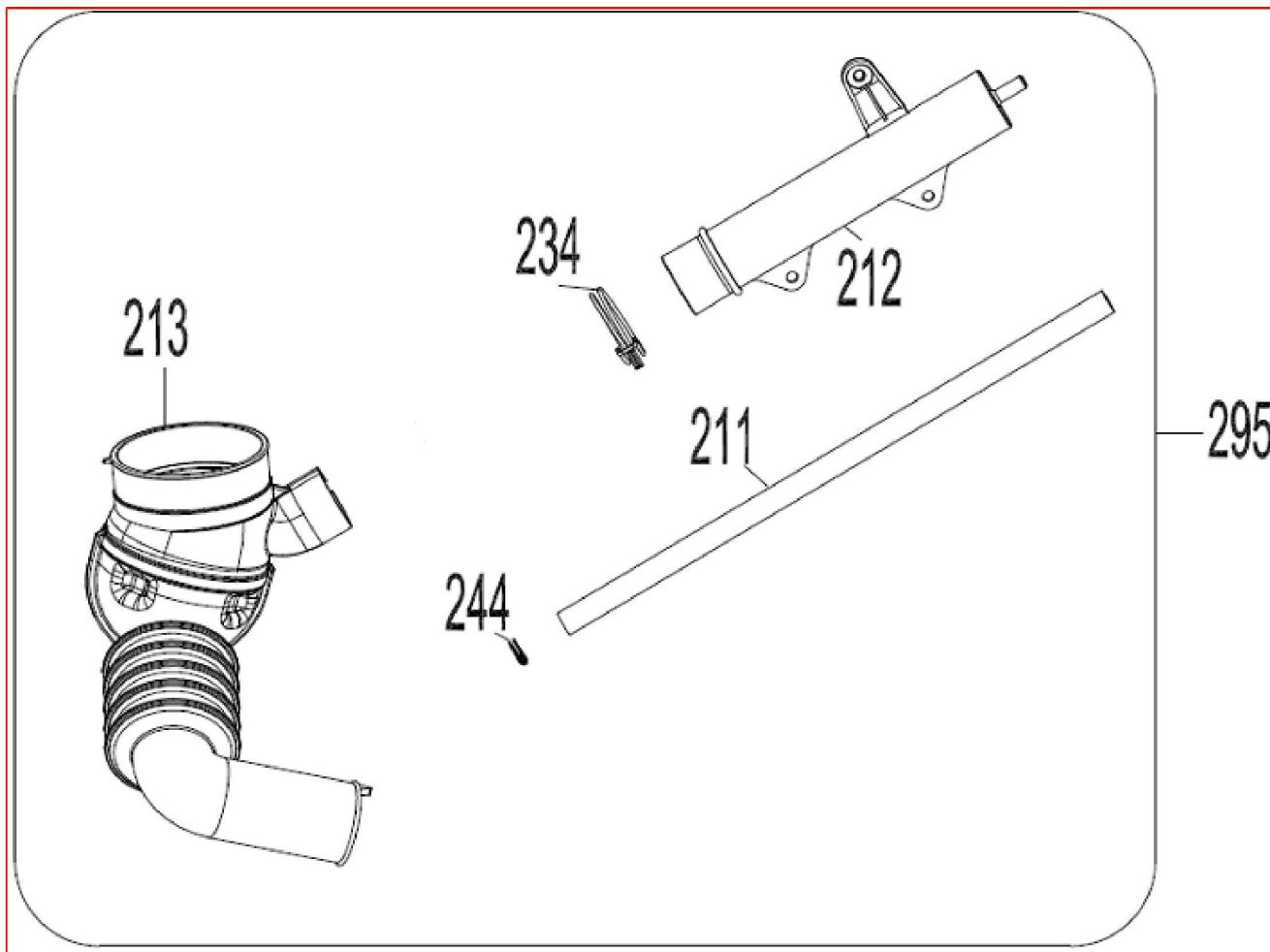
F4 TOUCH PYTHON TJ BLDC JOGDIAL EXPLODED VIEW

DETERGENT DRAWER GROUP



NO	PART NAME	QUANTITY
200	DETERGENT DRAWER	1
202	SIPHON COVER	1
203	WATER DISTRIBUTION PLATE GROUP	1
205	DETERGENT DRAWER HOUSING	1
207	VALVE-DETERGENT BOX HOSE	1
209	VALVE(TWO EXIT)	1
214	DETERGENT DRAWER LOCKING PART	1
228	PLASTIC HOSE CLAMP	6
996	LIQUID DETERGENT LEVEL PLATE	1
270	DETERGENT BOX GROUP	1
275	DETERGENT BOX GROUP/HOSE	1
280	DETERGENT BOX GROUP/FULL	1

PRESSURE SWITCH HOSE GROUP

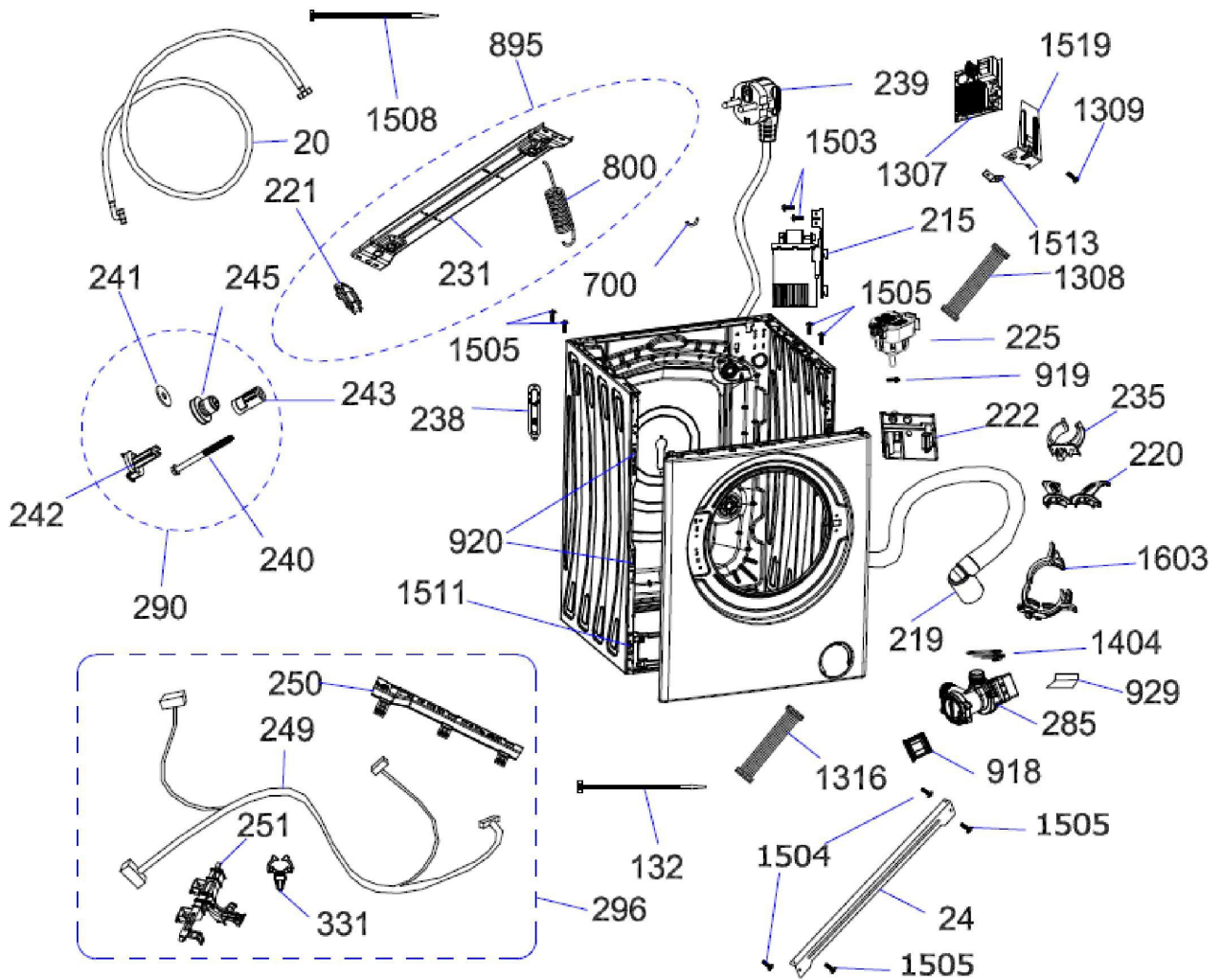


NO	PART NAME	QUANTITY
213	TUB EXIT WITH BELLOW HOSE	1
212	PRESSURE SWITCH WATER RESERVOIR	1
211	PRESSURE SWITCH HOSE	1
234	HOSE CLAMP Ø32,7	1
244	HOSE CLAMP Ø9,6	1
295	PRESSURE SWITCH HOSE GROUP	1

213-212-211-234-244----- PRESSURE SWITCH HOSE GROUP

F4 TOUCH PYTHON TJ BLDC JOGDIAL EXPLODED VIEW

BODY GROUP PARTS



F4 TOUCH PYTHON TJ BLDC JOGDIAL EXPLODED VIEW

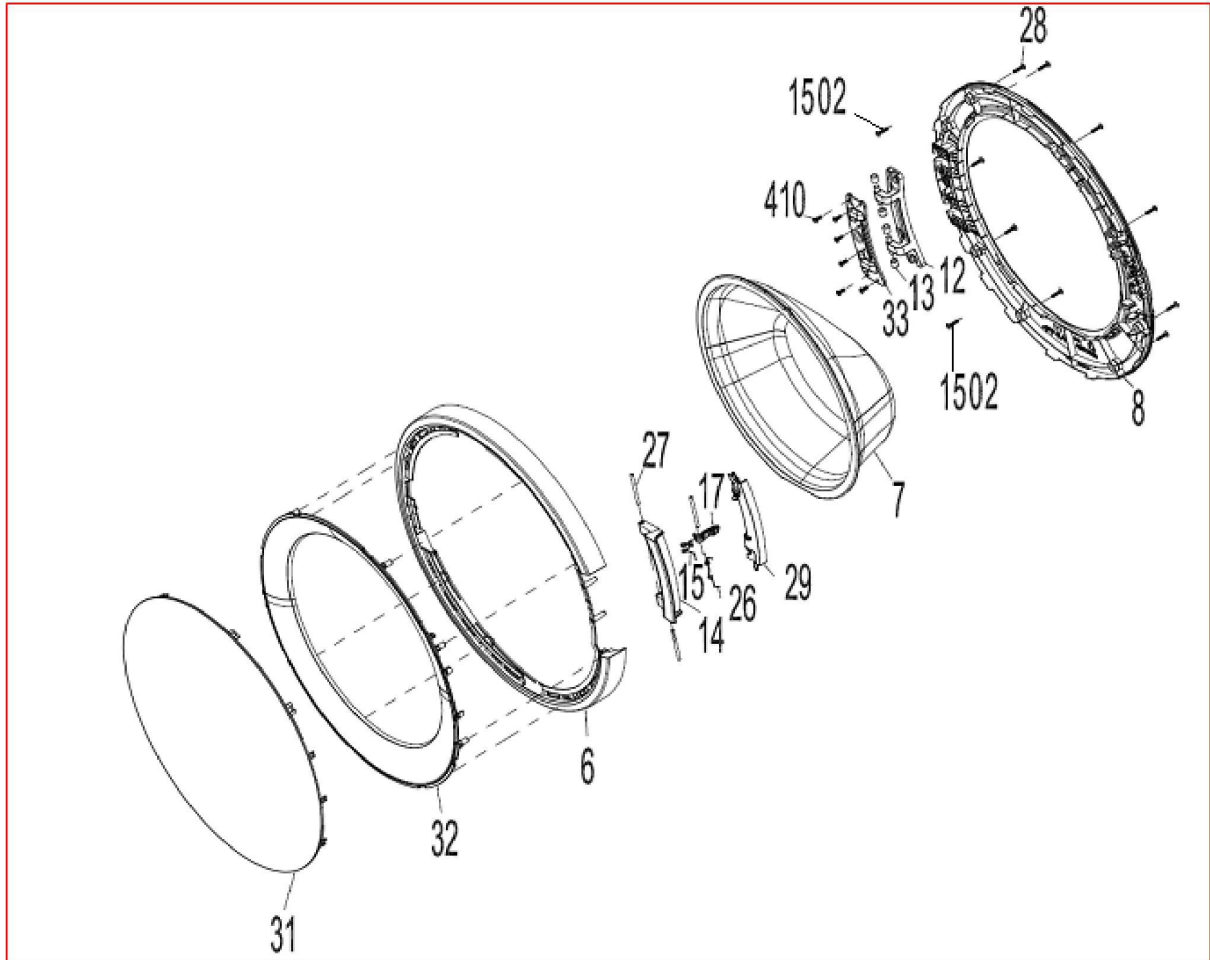
REF. NO	PART NAME	QTY
20	WATER ENTRY HOSE GROUP	1
24	UPPER SUPPORT BRACKET	1
132	CABLE TIE(YKB150)	7
215	EMI FILTER	1
219	DRAIN HOSE	1
220	DRAIN HOSE ROUTER PLASTIC	1
221	HANGER SPRING BRACKET PLS.	2
222	PRESSURE SWITCH MOUNTING CLIP	1
225	ELECTRONIC PRESSURE SENSOR	1
231	SPRING HANGER BRACKET	1
235	DRAIN HOSE HOLDING PLS	4
238	SPEED CONTROL HOLE STOPPER	1
239	POWER CORD GROUP	1
240	TRANSPORT SCREW	4
241	PLAIN WASHER 8,30X29X2	4
242	TRANSPORT SCREW PLASTIC-A-II	4
243	TRANSPORT SCREW PLASTIC-B-II	4
245	TRANSPORT SCREW EPDM	4
249	CABLE HARNESS	1
250	CABLE HARNESS HOLDER PLS	1
251	CABLE HOLDER AND ROUTER PLASTIC-L	1
285	PUMP GROUP	1
290	TRANSPORT SCREW GROUP-II	4
296	CABLE GR	1
331	LOCKING WIRE SADDLE (BLUE)	1
700	TUB HANGER SPRING PART (PLASTIC HOUSING PART BETWEEN TUB AND SPRING HOOK)	2
800	TUB SPRING	2
895	SPRONG HANGER BRACKET GROUP	1
918	PUMP FILTER	1
919	HOSE CLAMP Ø8,6	1
920	FRONT PANEL DROP FIXING PLASTIC-II	4
*929	PUMP PROTECTION FOIL	1
1307	PCB BOX GR BLDC	1
1308	EGO BLDC EARTH CABLE	1
1309	THREAD ROL.SCREW M4X8 PAN H.TORX UN.H.S.	1
1316	EGO BLDC COMMUNICATION	1
1404	HOSE CLAMP	1
1503	ST 4,2X9,5 PAN HEAD W.COL.T.UNDER.SER.EA	2
1504	ISO 7049 ST 4,2X13 TORX	2
1505	ST 4,2X9,5 TRTSB	2
1508	CABLE TIE	1
1511	FRONT PANEL DROP FIXING PLASTIC	2
1513	MALE GROUND TERMINAL(STEEL)	1
1519	BRACKET_BLDG	1
1603	INTERNAL HOSE HOLDER PLASTIC	1

*929 “This spare part is optional and depends on agreed specifications. Therefore you may not find this position number in product’s spare part list.”

F4 TOUCH PYTHON TJ BLDC JOGDIAL EXPLODED VIEW

DOOR GROUP (You can select the door group according to your model)

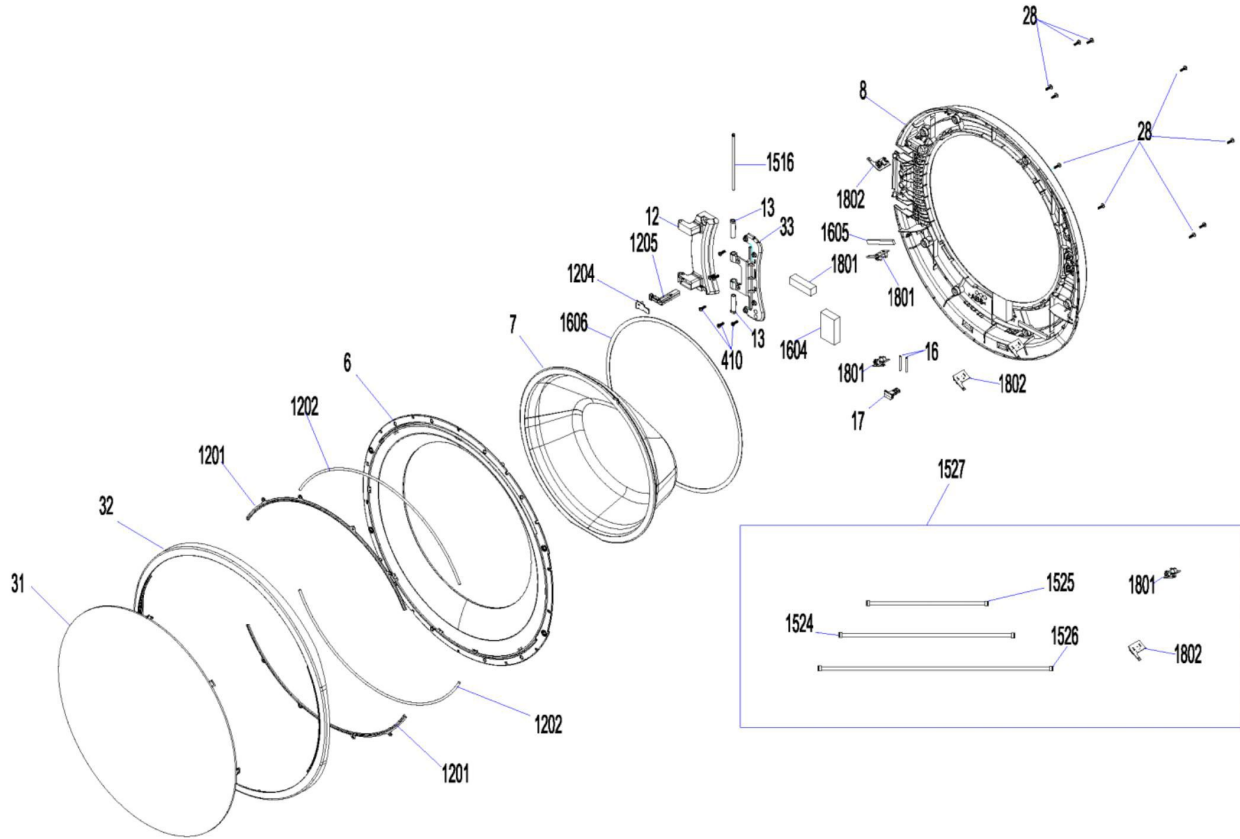
1. Exploded View ((Door goup with door handle)



NO	PART NAME	QUANTITY
6	OUTER DOOR PLASTIC	1
7	DOOR GLASS	1
8	INNER DOOR PLASTIC	1
12	HINGE	1
13	HINGE BUSH	4
14	DOOR HANDLE	1
15	HOOK SPRING	1
17	DOOR HOOK	1
26	HANDLE SPRING	1
27	HANDLE PIN	3
28	SCREW 3,5X16 PAN HEAD WITH COLLAR UNDER HEAD SERRATED	9
29	OUTER DOOR PLASTIC INSERT PART	1
31	FRONT DOOR COVER	1
32	OUTER DOOR PLASTIC INNER FRAME	1
33	DOOR HINGE SUPPORT SHEET	1
410	SCREW 4X12 PAN HEAD WITH COLLAR UNDER HEAD SERRATED	6
1502	SCREW M5X8 TSB	2
50	PORTHOLE GROUP (all parts)	1

F4 TOUCH PYTHON TJ BLDC JOGDIAL EXPLODED VIEW

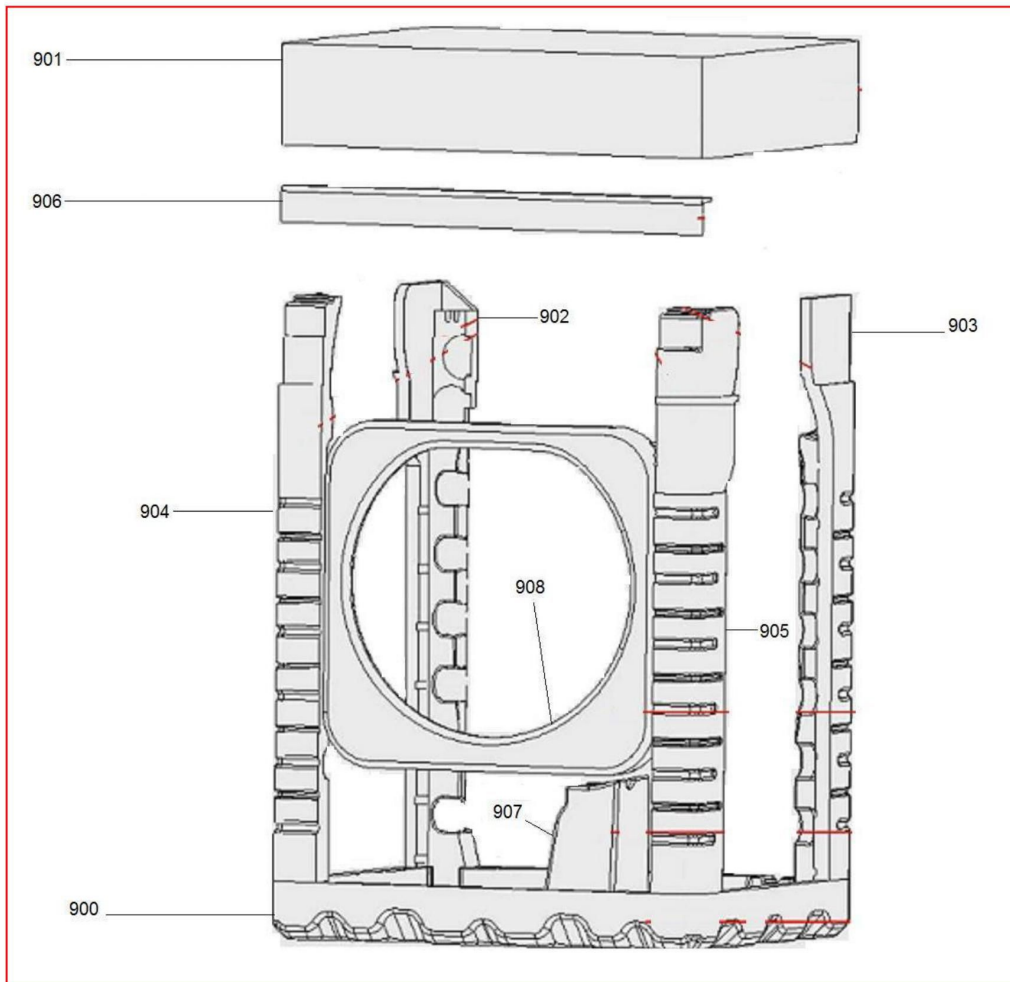
2. Exploded View (With Door Light)



POZ NO	PART NAME	QYT
6	BACK PORTHOLE FRAME-D180-V1	1
7	DOOR GLASS/PYTHON	1
8	BACK PORTHOLE FRAME/7.0	1
12	HINGE 5-V1-CHROME	1
13	HINGE BUSHING 4	2
16	DOOR TONGUE PIM D181	1
17	DOOR HOOK/FIXED	1
28	SCREW 3.5X16PAN.HE.WITH COL.CR.RE.UN.HE.	10
31	DOOR FRONT COVER/D180	1
32	FRONT PORTHOLE FRAME-D180-V1	1
33	SUPPORT SHEET D510	1
410	SCREW 4X12 PAN HEAD WITH COLLAR UNDER HE	6
1202	LIGHTGUIDE COVER-D181	2
1203	LIGHTGUIDE D181	2
1204	CABLE ROAD PLS/COVER	1
1205	CABLE ROAD PLS/BODY	1
1516	HINGE PIM D180	1
1524	DOOR LIGHT CABLE 30CM	1
1525	DOOR LIGHT CABLE	1
1526	DOOR LIGHT CABLE 50 CM	2
1527	DOOR LIGHT CABLE GR (1524+1525+1526+1801+1802)	1
1604	DOOR HOOK FOAM D181	1
1605	E.CARD PROTECT FOAM D181	2
1606	DOOR GLASS SUPPORT TAPE D181	1
1607	HINGE SUPPORT FOAM D181	1
1801	DOOR LIGHT LED PCB	2
1802	DOOR LIGHT LED PCB LEFT	2

F4 TOUCH PYTHON TJ BLDC JOGDIAL EXPLODED VIEW

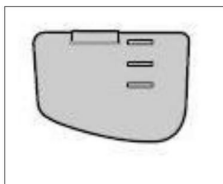
PACKAGING GROUP



NO	PART NAME	QUANTITY
900	BOTTOM STYROFOAM	2
901	TOP CARTON	1
902	REAR STYROFOAM(LEFT)	1
903	REAR STYROFOAM(RIGHT)	1
904	FRONT STYROFOAM LEFT	1
905	FRONT STYROFOAM RIGHT	1
906	CORNER CARDBOARD	1
907	TUB SUPPORT STYROFOAM	1
908	PORTHOLE PRO. STYROFOAM	1

F4 TOUCH PYTHON TJ BLDC JOGDIAL EXPLODED VIEW

ACCESSORIES



995

996

997

998

NO	PART NAME	QUANTITY
995	ENERGY LABEL	1
996	LIQUID DETERGENT LEVEL PLATE	1
997	DRAIN HOSE COAT RACK	1
998	TRANSPORT SCREW STOPPER	4