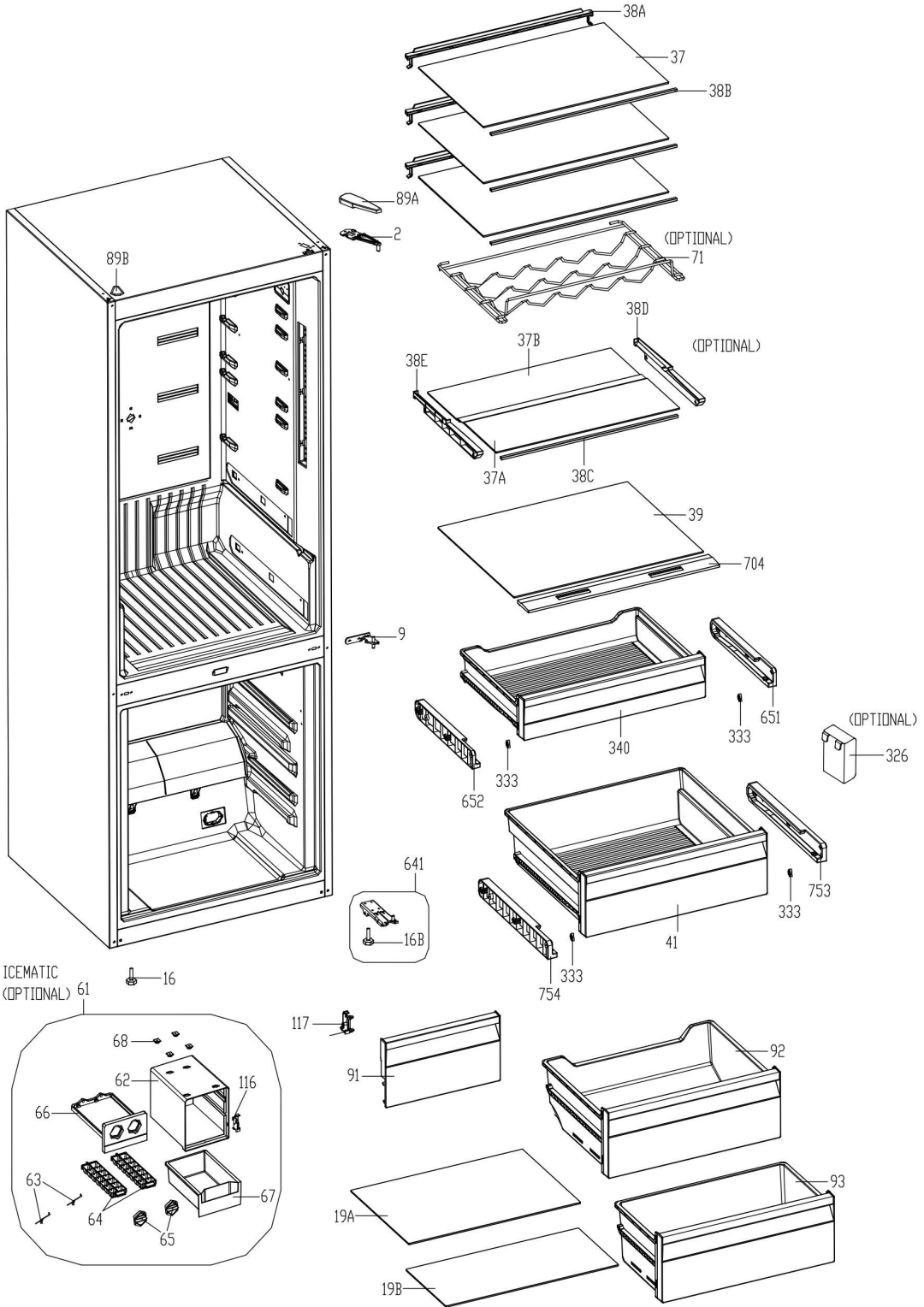


	492 ELECTRONIC	CUSTOMER SUPPORT
	INTERIOR PARTS	



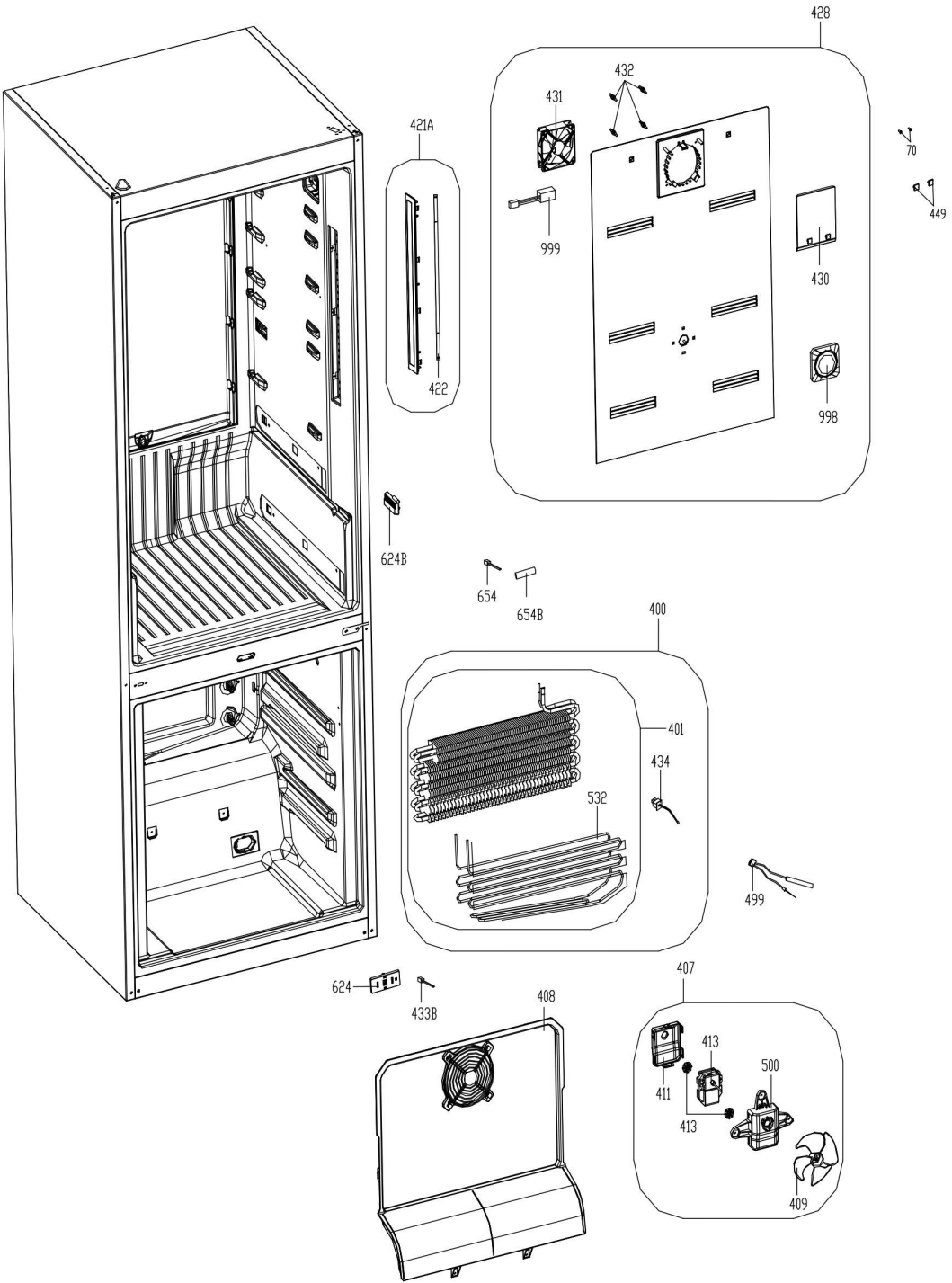
SEPTEMBER 2018

	492 ELECTRONIC	CUSTOMER SUPPORT
	INTERIOR PARTS LIST	

POSITION NUMBER	PART NAME
2	TOP HINGE ELC 2451-E
9	HINGE MIDDLE GR/473
16	ADJUSTABLE FOOT M8X35
16B	ADJUSTABLE STABILIZER FOOT M8
19A	F SHELF TOP
19B	F SHELF BOTTOM
37	GLASS SHELF 492
37A	FOLDABLE GLAS SHELF GR. FRONT/492 <i>(OPTIONAL)</i>
37B	FOLDABLE GLASS SHELF GR. BACK / 492 <i>(OPTIONAL)</i>
38A	R GLASS SHELF PRF BACK/453
38B	R.GLASS SHELF PRF/453
38C	FLD.GLASS SHELF PRF/492
38D	FOLDABLE SHELF PRF-RIGHT/492 <i>(OPTIONAL)</i>
38E	FOLDABLE SHELF PRF-LEFT/492 <i>(OPTIONAL)</i>
39	CRISPER GLASS SHELF/492
41	CRISPER GR/492
61	ICEMATIC <i>(OPTIONAL)</i>
62	ICEMAKER COVER/653
63	ICE TRAY SPRING
64	ICETRAY
65	ICETRAY KNOB
66	ICETRAY FRAME
67	ICEMAKER BASKET
68	HOLDER PIN-653
71	WINE SHELF <i>(OPSİYONEL)</i>
89A	TOP HINGE COVER 2451
89B	HINGE COVER 2451
91	FREEZER FLAP COVER
92	FR.MIDDLE BASKET GR
93	FR.BOTTOM BASKET GR.
116	FLAP COVER HOLDER
117	F COVER SUPPORT R/390
164	DOOR HANDLE MOVE COVER
326	FILTER HOLDER GR <i>(OPTIONAL)</i>
333	CRISPER ROLLER/540
340	CHILLER GR/492
505	MIDDLE BRACKET CAP
641	BOTTOM HINGE GR
651	CHILLER RAIL RIGHT/643
652	CHILLER RAIL LEFT/643
704	CRISPER FLAP GR/492
753	CRISPER RAIL RIGHT/653
754	CRISPER RAIL LEFT/653

SEPTEMBER 2018

	492 ELECTRONIC	CUSTOMER SUPPORT
	MULTIFLOW PARTS	



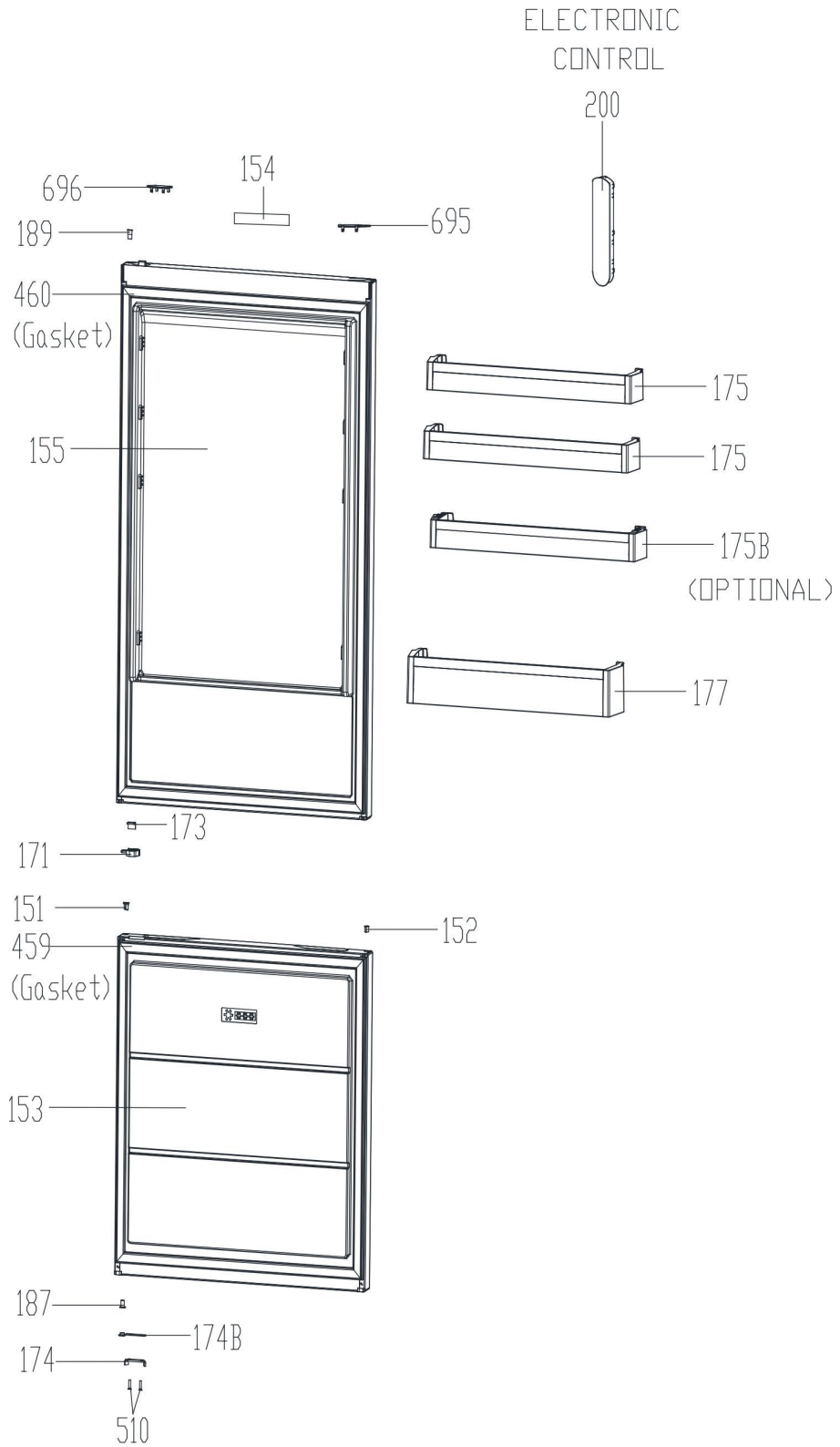
SEPTEMBER 2018

	492 ELECTRONIC	CUSTOMER SUPPORT
	MULTIFLOW PARTS LIST	

POSITION NUMBER	PART NAME
70	SCREW KA 40*14 YSB-R-F-INOX
400	FIN EVAP GR./492
401	FIN EVAPORATOR/492
407	F FAN MOTOR GR
408	FREEZING WEATHER CHANNEL GR/492
409	FAN PROPELLER
411	F FAN MOTOR COVER
412	MOTOR ABSORBER
413	FREEZER FAN MOTOR
421A	LED CAP GR/373 RIGHT/2835/UNC
422	LED STRIP/2835*12/8*385MM/12V/463M/UNC
428	R MULTI FLOW GLASS ILLUM. GR/492
430	COOLING FAN COVER
431	TUR.FAN MOT.
432	MOTOR FAN KAU.
433B	SENSOR/STANDARD/R6K/70MM/SINGLE
434	SENSOR/STANDARD/R6K/200MM/SINGLE
449	R MULTIFLOW CAP
499	TERMAL FUSE DOUBLE
500	F FAN MOTOR BOX
624	SENSOR COVER 473
624B	SENSOR COVER 653
654	REED SW/SENSOR/TYPE
654B	REED SWITCH/553
998	ION BODY GR
999	IYONIZER/GR

SEPTEMBER 2018

	492 ELECTRONIC	CUSTOMER SUPPORT
	DOOR ASSY. PARTS	



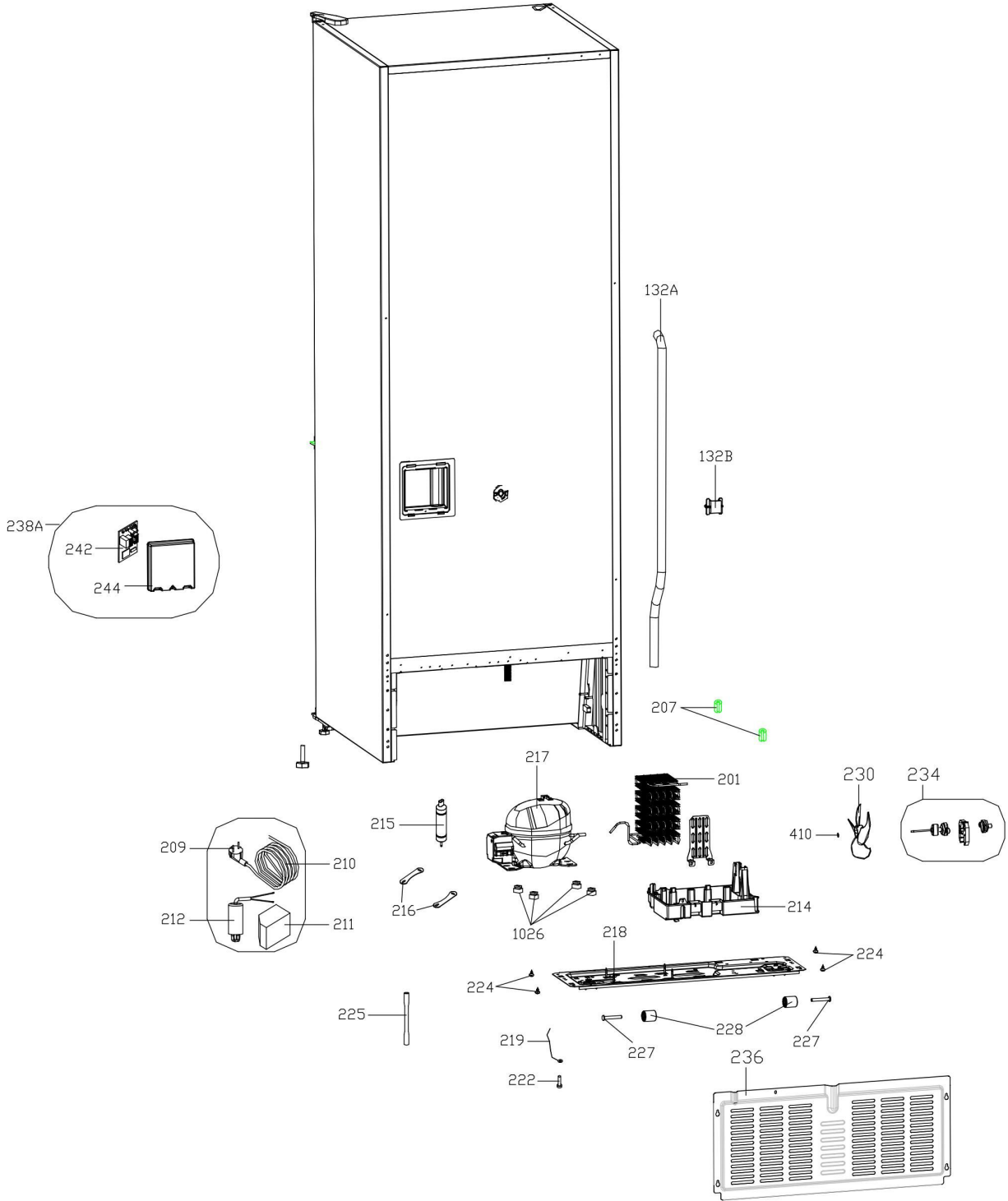
SEPTEMBER 2018

	492 ELECTRONIC	CUSTOMER SUPPORT
	DOOR ASSY. PARTS LIST	

POSITION NUMBER	PART NAME
151	BUSHING/345P
152	BUSHING CAP
153	F DOOR ASSY/492-ERA
154	LOGO
155	R DOOR ASSY/492E-ERA-IMD
171	DOOR LATCH 473
174	BOTTOM STOPPER/HC
174B	BOTTOM STOPPER REINFORCEMENT 473
175	CHEESE/BUTTER SHELF 473
175B	ADJ. DOOR SHELF GR/473 (OPTIONAL)
177	B.SHELF 473
187	BUSHING/345CE
189	BUSHING/540CE
200	DIS.PA.GR/IMD/FFCOMBI
459	B DOOR GASKET 492-I
460	T DOOR GASKET 492-I
510	SCREW M,YHB,5x14,F,ST,A3K,TT
695	R/D PANEL COVER 373-RIGHT
696	R/D PANEL COVER 373-LEFT

SEPTEMBER 2018

	492 ELECTRONIC	CUSTOMER SUPPORT
	UNIT PARTS	



SEPTEMBER 2018

	492 ELECTRONIC	CUSTOMER SUPPORT
	UNIT PARTS LIST	

POSITION NUMBER	PART NAME
132A	DEFROST HOSE(I.C=16.2*160)
132B	DRAIN PIPE HOLDER 653
201	FAN CONDENSER GR 462
207	RUBBER CONDANSER MUTUAL ANTIVIBRASYON
209	POWER CORD GR.
210	POWER CORD(2.1m)
211	OVER L.GR.
212	CAPACITOR
214	EVOPORATING TRAY GR
215	DRYER
216	COMP FIXING BRACKET
217	COMPRESSOR
218	COMP BASEMENT/455
219	EARTH WIRE/WASHER
222	SCREW TT M4*6 YSB-T-F
224	SCREW KA 50*14 YSB-F
225	SERVICE TUBE
227	FRONT/BACK WHEEL
228	REAR WHELL PIN
230	FAN/473 CABINET BOTTOM
234	B.CABINET DC FAN MOTOR GR
236	COVER CROSSRAIL REAR /492
238A	MAINBOARD COVER GR
242	AK/BDA67/492E
244	MAINBOARD COVER
410	PROPELLER SPRING
1026	COMP.RUBBER-DANFOSS

SEPTEMBER 2018