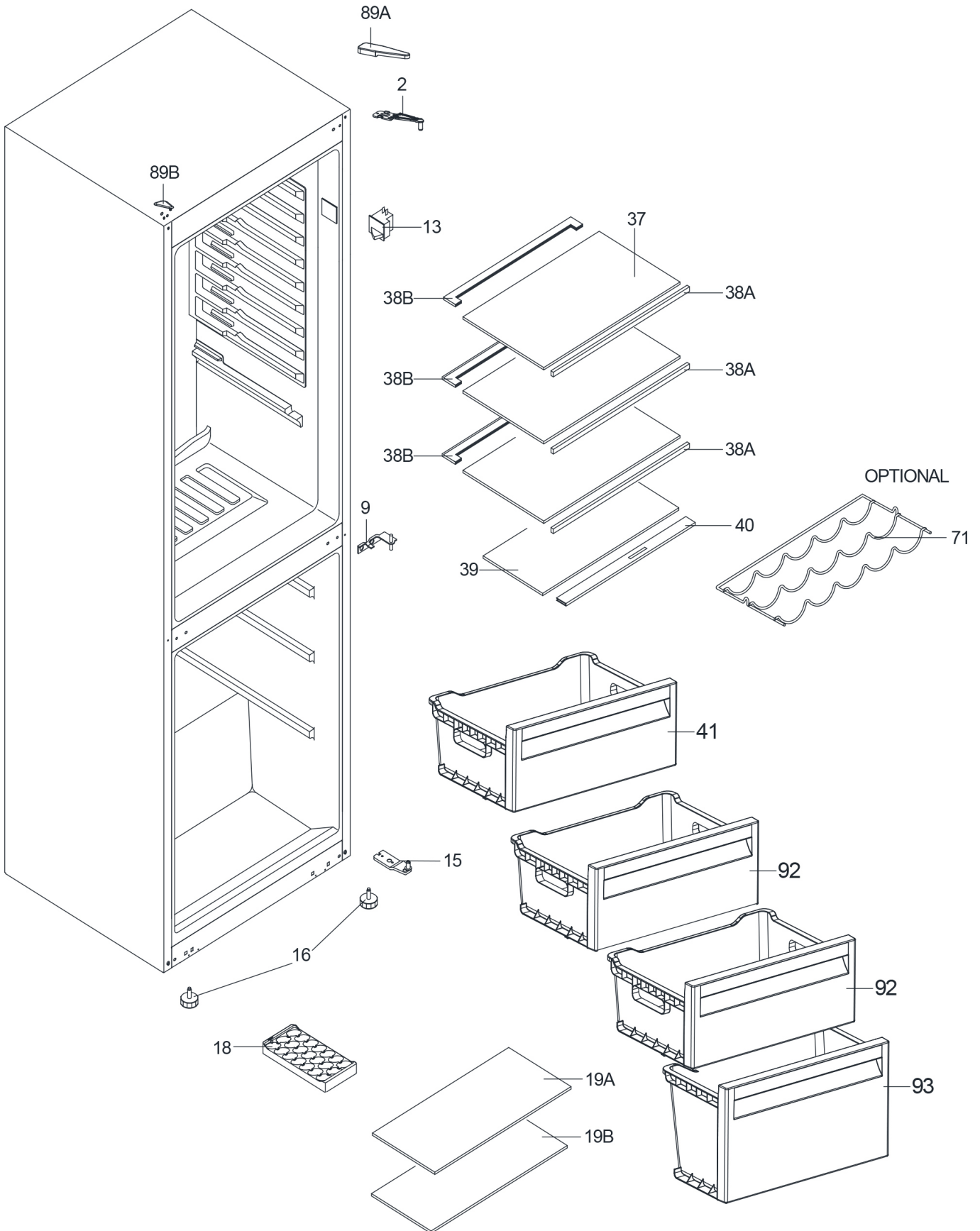


289 MECHANIC

CUSTOMER
SUPPORT

INTERIOR PARTS



JANUARY 2019

289 MECHANICCUSTOMER
SUPPORT**INTERIOR PARTS LIST**

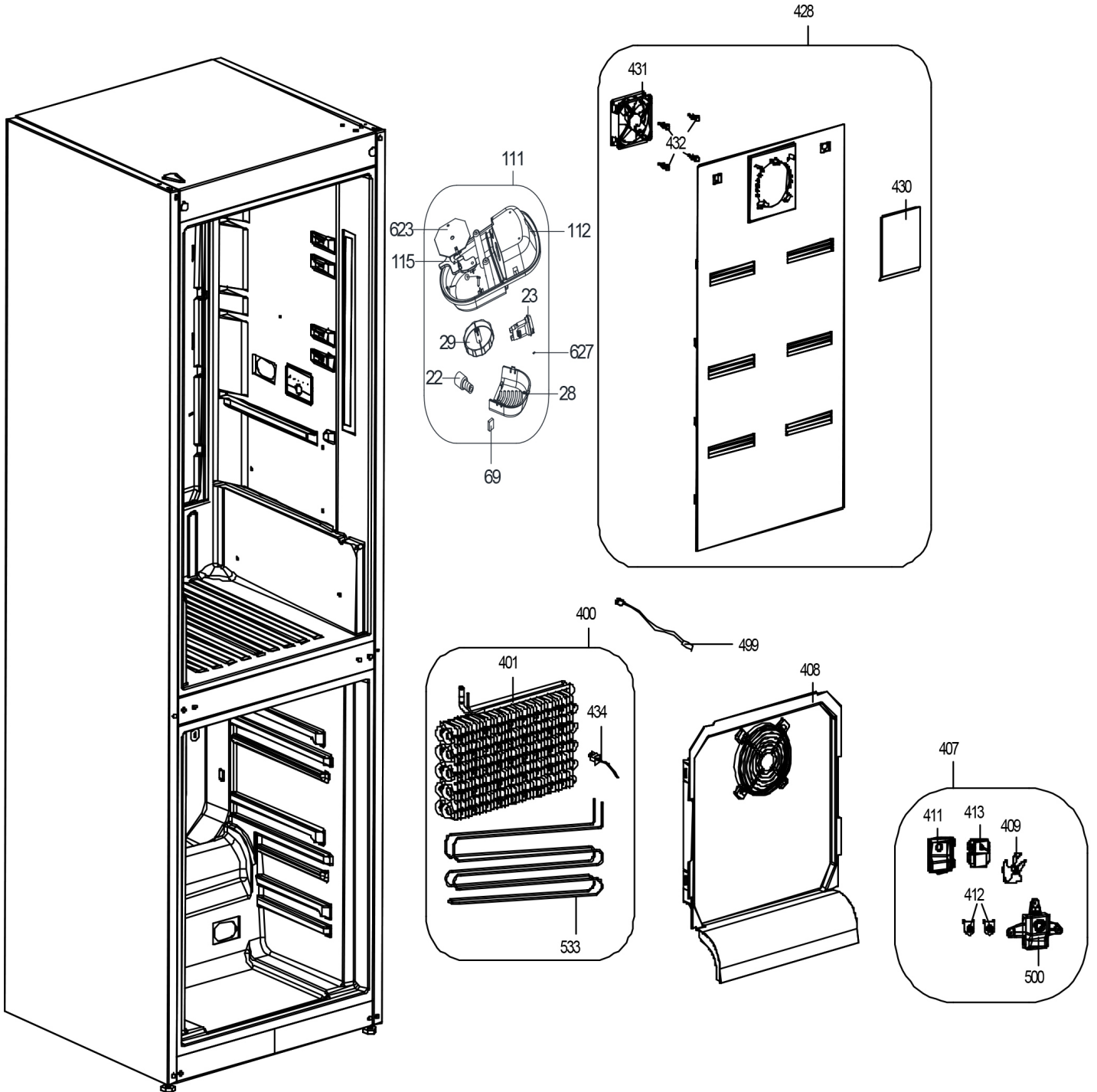
POSITION NUMBER	PART NAME
2	TOP HINGE
9	HINGE MIDDLE
13	DOOR LAMP SWITCH
16	ADJUSTABLE FOOT M8X35
18	ICE TRAY
19A	F SHELF TOP
19B	F SHELF BOTTOM
37	R GLASS SHELF
38A	R.GLASS SHELF TRIM
38B	R.GLASS SHELF BACK TRIM
39	CRISPER GLASS SHELF
40	CRISPER FLAP GR
41	CRISPER GR
71	WINE SHELF (OPTIONAL)
89A	HINGE COVER 2451
89B	HINGE COVER CAP 2451
92	MIDDLE BASK.GR
93	BOTTOM BASK.GR

JANUARY 2019

289 MECHANIC

CUSTOMER
SUPPORT

MULTIFLOW PARTS



JANUARY 2019

289 MECHANIC**CUSTOMER
SUPPORT****MULTIFLOW PARTS LIST**

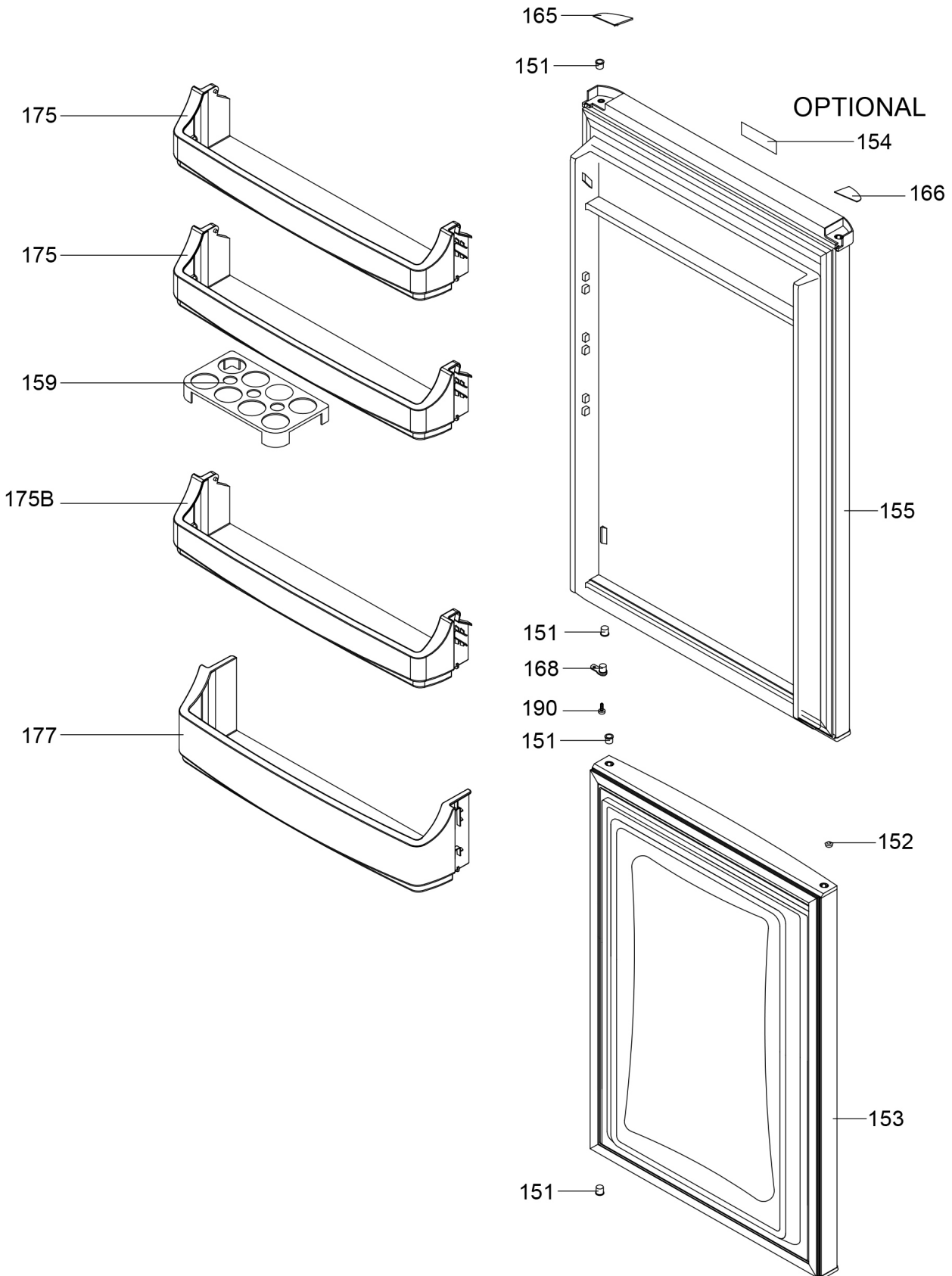
POSITION NUMBER	PART NAME
23	LAMP HOLDER E-14
28	LAMP COVER
29	THERMOSTAT KNOB
69	THERMOSTAT BOX CAP
111	LAM.TERM.CO.GR/289M
112	LAMP.THERM.BOX/319
115	THERMOSTAT ASSY.BRACKET
400	FIN EVAP.ASSY/289
401	FIN EVAPORATOR
407	F FAN MOTOR GR
408	F MULTIFLOW GR
409	FAN PROPELLER
411	F FAN MOTOR COVER
412	MOTOR ABSORBER/7W
413	FREEZER FAN MOTOR
428	R MULTI FLOW ASSY
430	COOLING FAN COVER
431	TUR.FAN MOTOR
432	MOTOR FAN KAU.916
433B	SENSOR/STANDART/R6K/70MM/SINGLE
434	SENSOR/STANDART/R6K/200MM/SINGLE
499	TERMAL FUSE
500	F FAN MOTOR BOX
533	FIN EVAP HEATER
623	MB/BDA56/289M
627	THERMOSTAT KNOB PIM

JANUARY 2019

289 MECHANIC

CUSTOMER
SUPPORT

DOOR ASSY. PARTS



JANUARY 2019

289 MECHANIC**CUSTOMER
SUPPORT****DOOR ASSY. PARTS LIST**

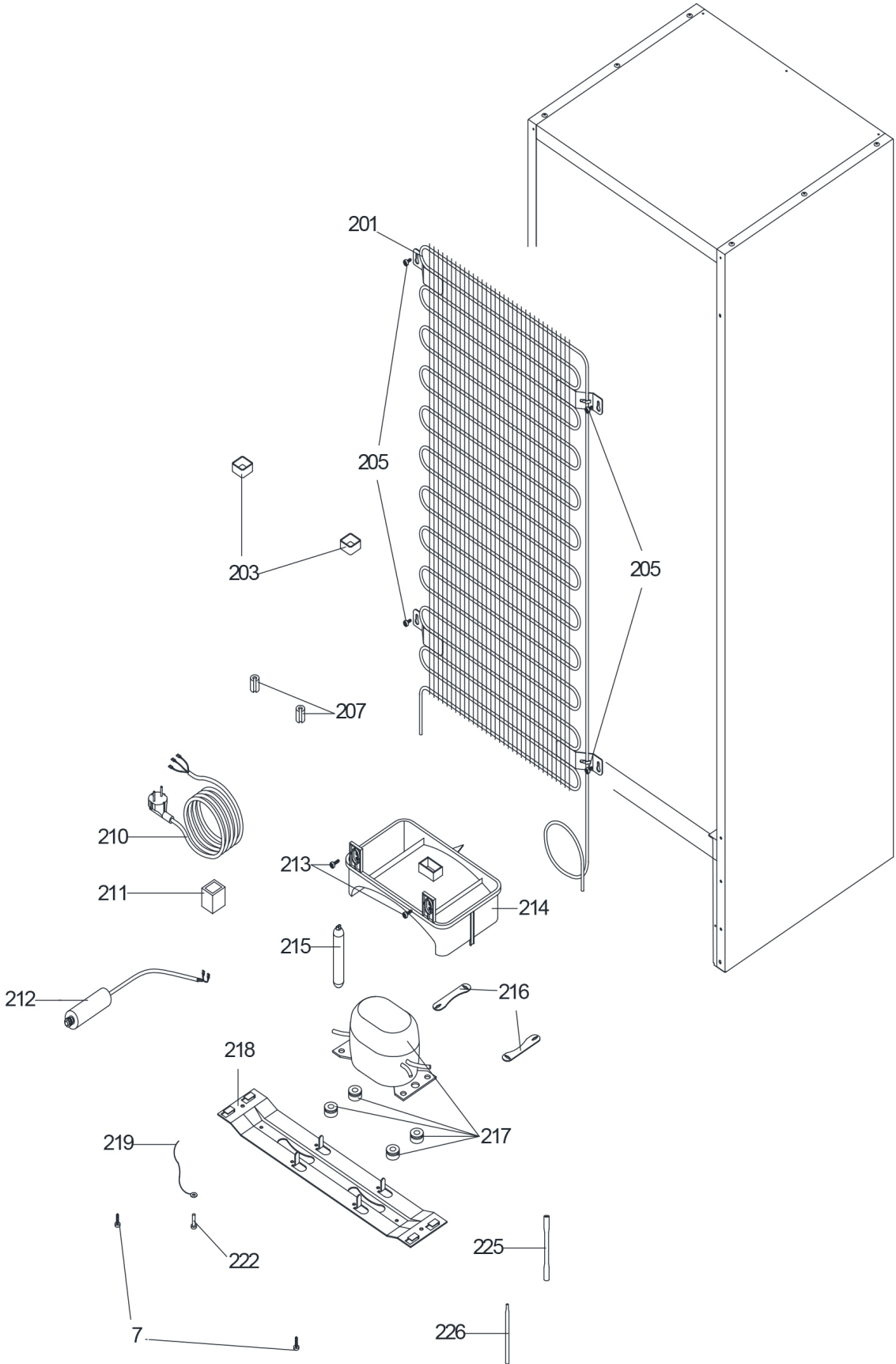
POSITION NUMBER	PART NAME
151	BUSHING/345P
153	F DOOR ASSY/286-ERA
154	LOGO
155	R DOOR ASSY/286-ERA
159	EGG HOLDER
165	F DOOR PANEL RIGHT CAP
166	F DOOR PANEL LEFT CAP
168	STOPPER COMBI
175	CHEESE BUTTER SHELF
175B	ADJ. DOOR SHELF GR
177	BOTTLE SHELF
190	SCREW 35*12 YSB-R-C

JANUARY 2019

289 MECHANIC

**CUSTOMER
SUPPORT**

UNIT PARTS



JANUARY 2019

289 MECHANIC**CUSTOMER
SUPPORT****UNIT PARTS LIST**

POSITION NUMBER	PART NAME
201	MAIN CONDANSER
203	SPACER
205	SCREW ST 4.8*13 YSB-T-C
207	ANTIVIBRATION (CONDANSER)
210	POWER CORD
211	OVER LOAD RELAY
212	CAPACITOR
214	EVAPORATING TRAY
215	DRYER
216	COMP FIXING BRACKET
217	COMPRESSOR
218	COMP BASEMENT
219	EARTH WIRE(PGYB)WASHER
222	SCREW TT M4*6 YSB-T-F
224	SCREW KA 50*14 YSB-F
225	SERVICE TUBE
1026	COMPRESSOR RUBBER

JANUARY 2019