

**DC/DC 1
5V_STBY STEP-DOWN (3/5A)**

**DC/DC 2
3V3_VCC DC/DC (3A)**

**DC/DC 3
1V5_VCC DC/DC (2A)**

**DC/DC 4
1V_VCC DC/DC (5A)**

$V_{out} = 0.765 \times (1 + (R1/R2))$

**LDO 1
3V3_STBY LDO**

2V5_VCC LDO

**SW2
5V_VCC SWITCH**

ADAPTER PROTECTION

Converter Socket

Backlight On/Off Circuit

STBY On/Off Circuit

SCART

SCART VIDEO OUTPUT AMPLIFIER

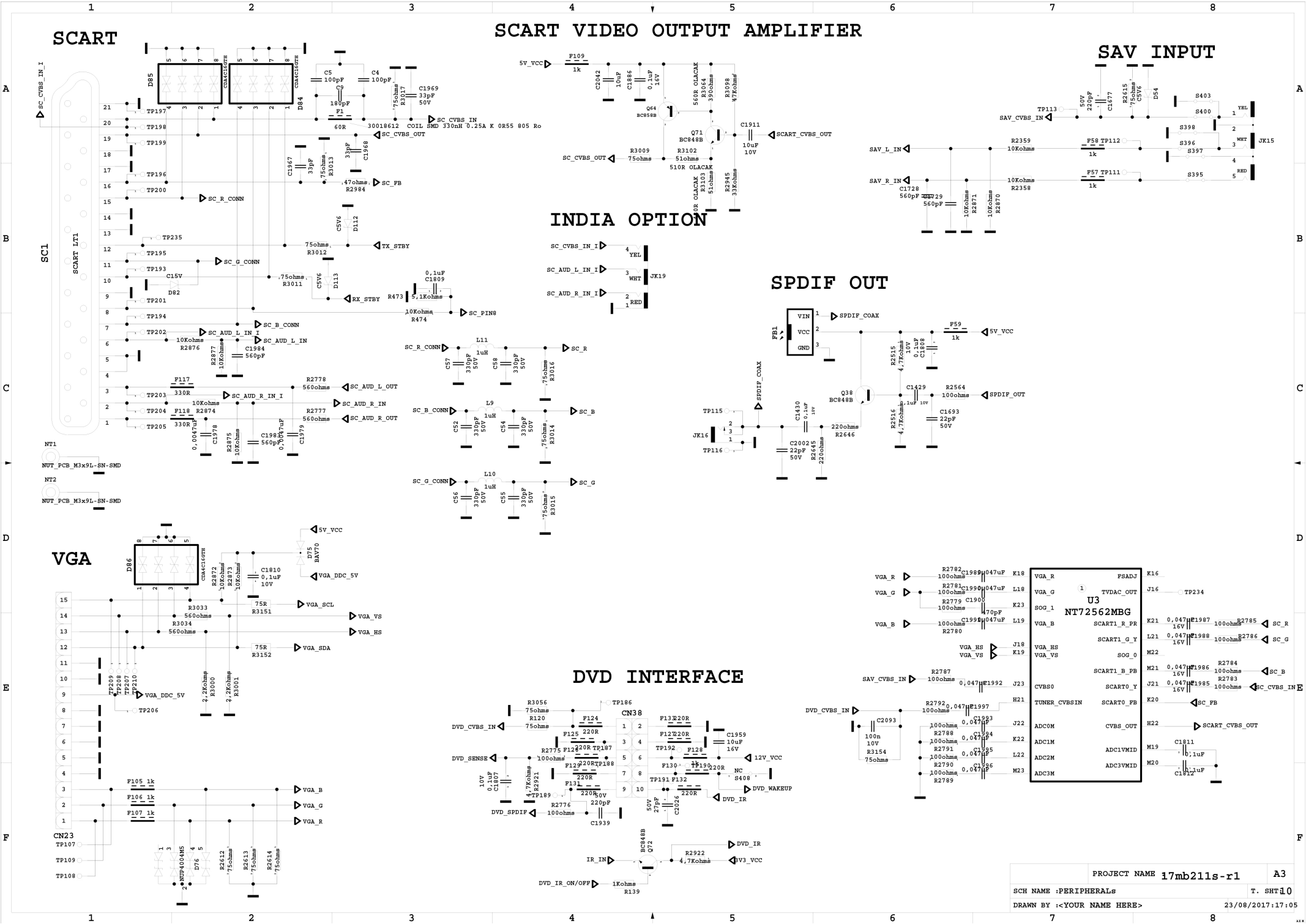
SAV INPUT

INDIA OPTION

SPDIF OUT

VGA

DVD INTERFACE



NT72562MBG

U3

FSADJ K16

TVDAC_OUT J16 TP234

SCART1_R_PR K21 0.047µF R1987 100ohms R2785 SC_R

SCART1_G_Y L21 0.047µF R1988 100ohms R2786 SC_G

SCOG_0 M22

SCART1_B_PB M21 0.047µF R1986 100ohms R2784 SC_B

SCART0_Y J21 0.047µF R1985 100ohms R2783 SC_CVBS_IN

SC_FB K20

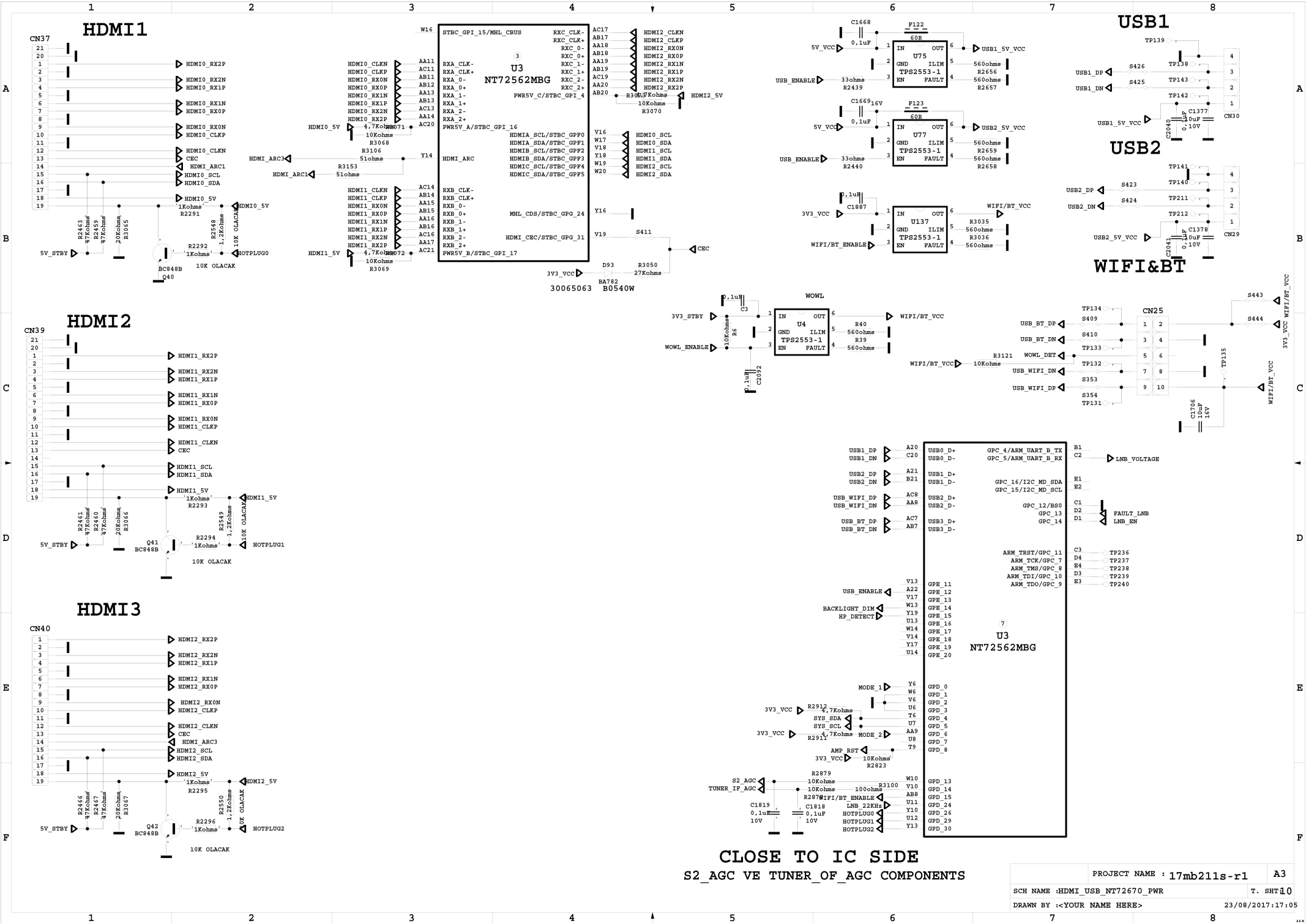
SCART_CVBS_OUT H22

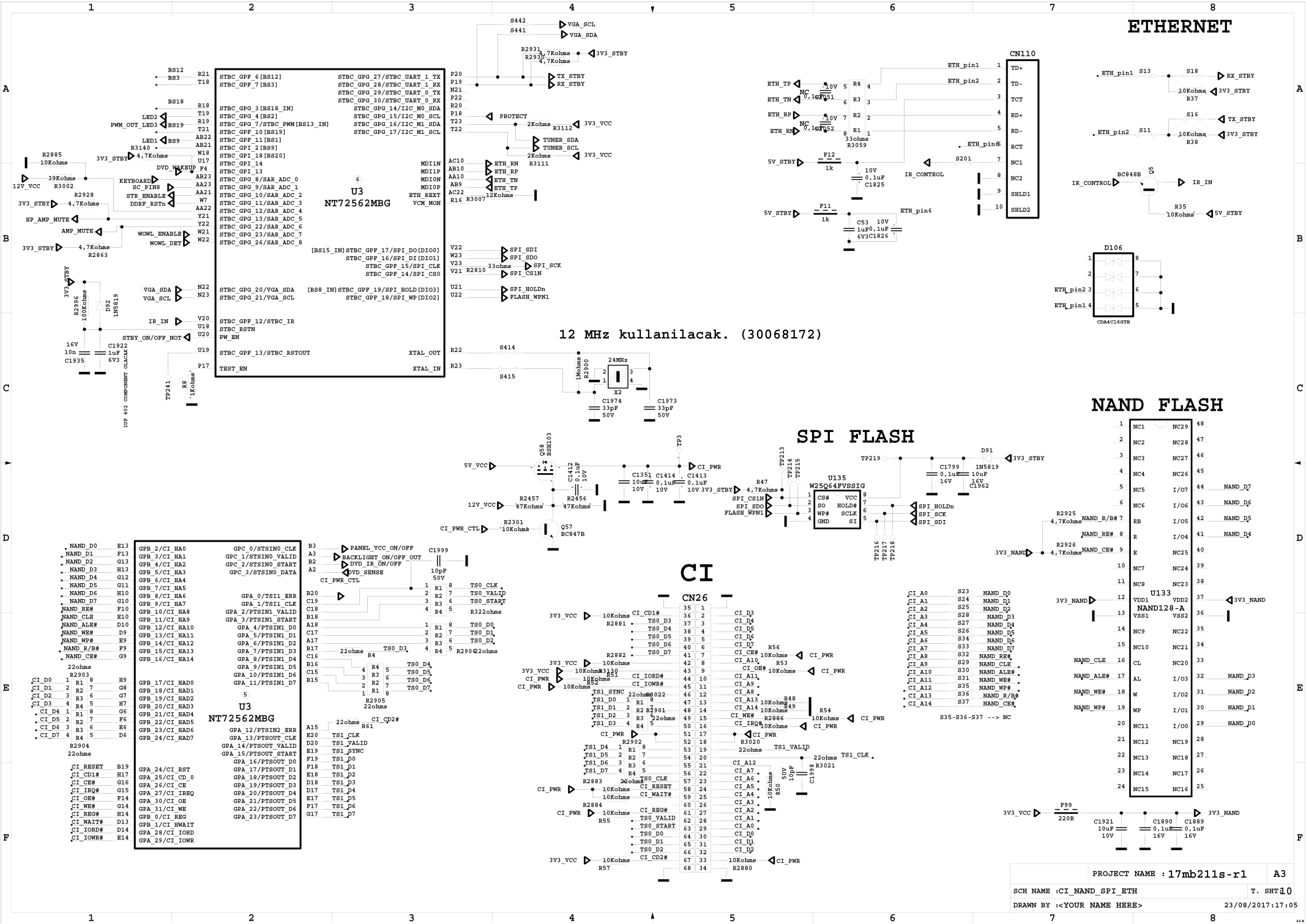
ADC0M CVBS_OUT

ADC1M ADC1VMID M19 C1811 10µF

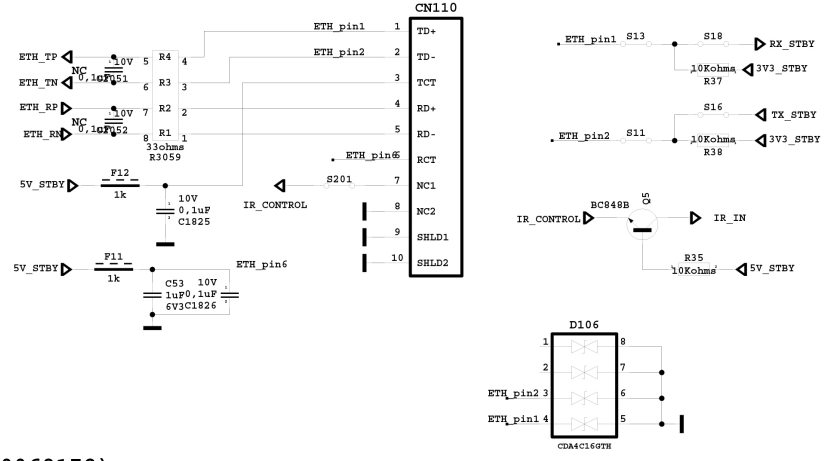
ADC2M ADC2VMID M20 C1812 10µF

ADC3M ADC3VMID



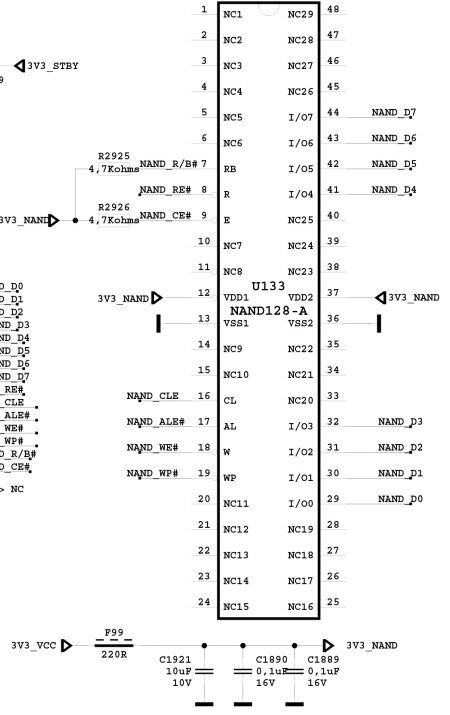


ETHERNET

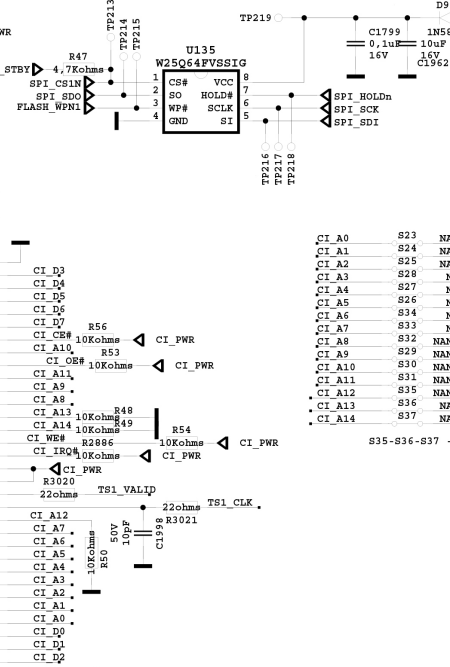


12 MHz kullanılacak. (30068172)

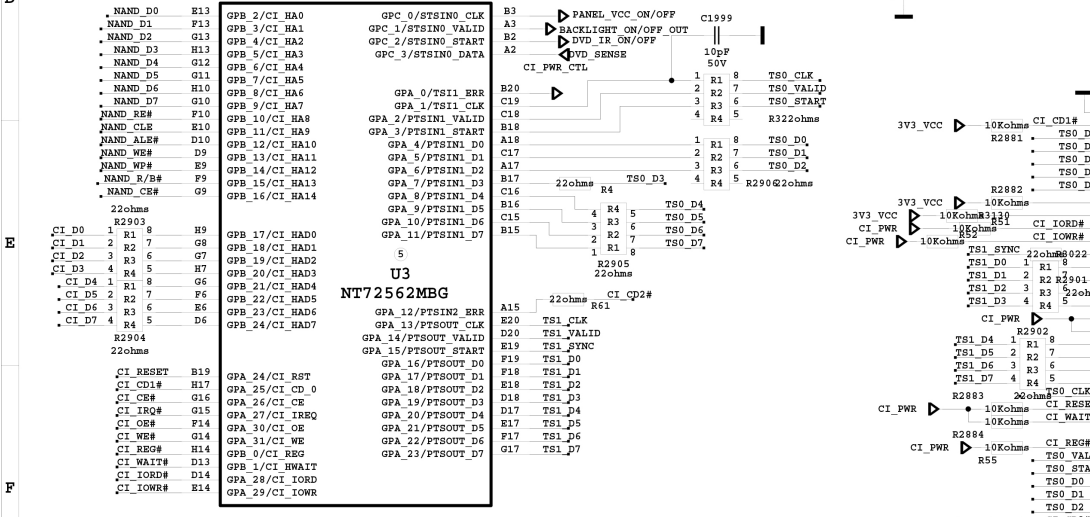
NAND FLASH

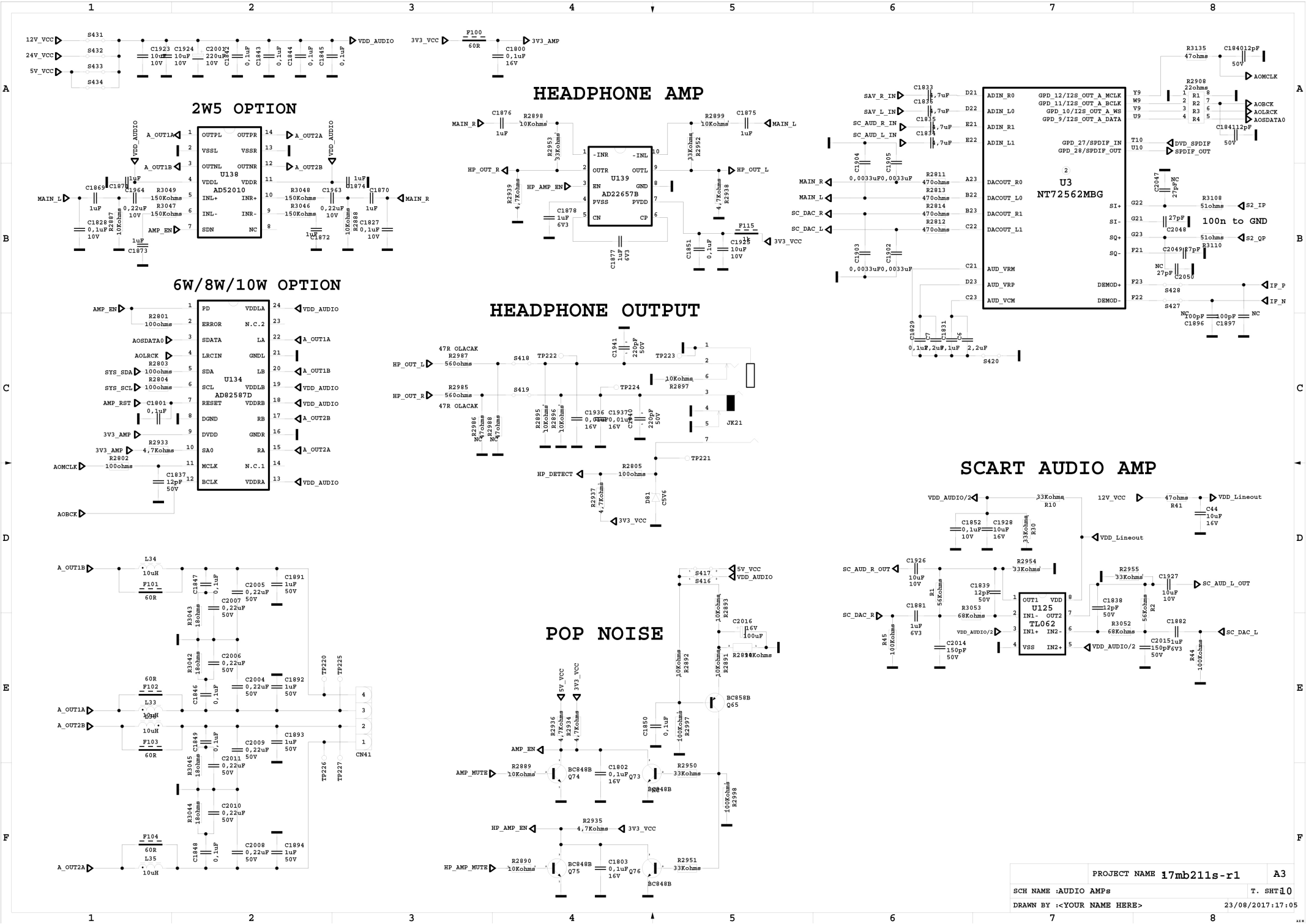


SPI FLASH



CI





2W5 OPTION

HEADPHONE AMP

6W/8W/10W OPTION

HEADPHONE OUTPUT

SCART AUDIO AMP

POP NOISE

PROJECT NAME	17mb211s-r1	A3
SCH NAME	:AUDIO AMPS	T. SHT10
DRAWN BY	:<YOUR NAME HERE>	23/08/2017:17:05

