

DDR_A_DQ0 L3
 DDR_A_DQ1 P1
 DDR_A_DQ2 K2
 DDR_A_DQ3 R3
 DDR_A_DQ4 J1
 DDR_A_DQ5 T3
 DDR_A_DQ6 J2
 DDR_A_DQ7 R2

DDR_A_DQ0 N6
 DDR_A_DQ1 M6
 DDR_A_DQ2 P6
 DDR_A_DQ3 J4
 DDR_A_DQ4 M4
 DDR_A_DQ5 K5
 DDR_A_DQ6 N5
 DDR_A_DQ7 L5

DDR_A_DQS_L L1
 DDR_A_DQS_In M3
 DDR_A_DQS_U M2
 DDR_A_DQS_0n N3

DDR_A_DML P3
 DDR_A_DMU K4

DQ16 MA0
 DQ17 MA1
 DQ18 MA2
 DQ19 MA3
 DQ20 MA4
 DQ21 MA5
 DQ22 MA6
 DQ23 MA7
 DQ24 MA8
 DQ25 MA9
 DQ26 MA10
 DQ27 MA11
 DQ28 MA12
 DQ29 MA13
 DQ30 MA14
 DQ31

U3
NT72562MBG

MBE MA0
 MBE MA1
 MBE MA2
 MBE MA3
 MBE MA4
 MBE MA5
 MBE MA6
 MBE MA7
 MBE MA8
 MBE MA9
 MBE MA10
 MBE MA11
 MBE MA12
 MBE MA13
 MBE MA14

MBE MA0
 MBE MA1
 MBE MA2

MBE MA0
 MBE MA1
 MBE MA2

MBE MA0
 MBE MA1
 MBE MA2

MBE MA0
 MBE MA1
 MBE MA2

MBE MA0
 MBE MA1
 MBE MA2

MBE MA0
 MBE MA1
 MBE MA2

MBE MA0
 MBE MA1
 MBE MA2

MBE MA0
 MBE MA1
 MBE MA2

MBE MA0
 MBE MA1
 MBE MA2

MBE MA0
 MBE MA1
 MBE MA2

MBE MA0
 MBE MA1
 MBE MA2

MBE MA0
 MBE MA1
 MBE MA2

MBE MA0
 MBE MA1
 MBE MA2

MBE MA0
 MBE MA1
 MBE MA2

DDR_MA0 N3
 DDR_MA1 P7
 DDR_MA2 P3
 DDR_MA3 M2
 DDR_MA4 P8
 DDR_MA5 P2
 DDR_MA6 R8
 DDR_MA7 R2
 DDR_MA8 T8
 DDR_MA9 R3
 DDR_MA10 L7
 DDR_MA11 R7
 DDR_MA12 N7
 DDR_MA13 T3

U72
H5TQ2G63BFR-PB

DDR_MA0 M2
 DDR_MA1 N8
 DDR_MA2 M3
 CK_0
 CK_1
 CK_2
 CK_3
 CK_4
 CK_5
 CK_6
 CK_7
 CK_8
 CK_9
 CK_10
 CK_11
 CK_12
 CK_13
 CK_14
 CK_15

DRAM_RSTn T2
 L8

VESQ_1 A5
 VESQ_2 B5
 VESQ_3 C5
 VESQ_4 D5
 VESQ_5 E5
 VESQ_6 F5
 VESQ_7 G5
 VESQ_8 H5
 VESQ_9 J5
 VESQ_10 K5
 VESQ_11 L5
 VESQ_12 M5
 VESQ_13 N5
 VESQ_14 P5
 VESQ_15 Q5

VREF_DQ H1
 VREF_CA M8
 DQ0 E3
 DQ1 F7
 DQ2 F2
 DQ3 F8
 DQ4 H3
 DQ5 H8
 DQ6 G2
 DQ7 H7
 DQ0 D7
 DQ1 C3
 DQ2 C8
 DQ3 C2
 DQ4 A7
 DQ5 B8
 DQ6 A3
 DQ7 F3
 DQ8 G3
 DQ9 B7
 DQ10 C7
 DQ11 E7
 DQ12 D3
 DQ13 K1

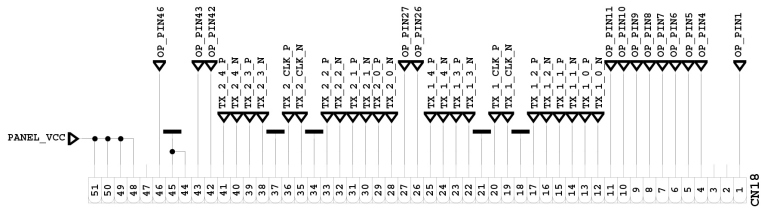
1V5_VCC → P88
 60R → 1V5_DRAM
 C1760
 0.1uF
 16V

1V5_DRAM → C1527
 0.1uF
 16V → C1526
 0.1uF
 16V → C1525
 0.1uF
 16V → C1524
 0.1uF
 16V → C1523
 0.1uF
 16V → C1522
 0.1uF
 16V → C1521
 0.1uF
 16V → C1520
 0.1uF
 16V → C1519
 0.1uF
 16V → C1758
 0.1uF
 16V → C1759
 0.1uF
 16V → C1913
 10uF
 10V → C8
 10uF
 10V

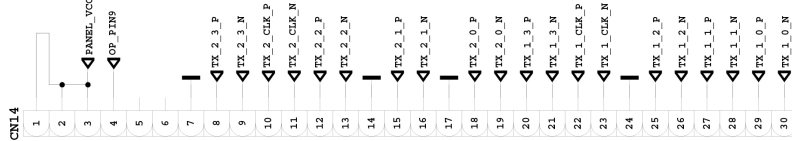
STR_EN ← S435 → STR_ENABLE

NC R33
 86 → DRAM_RSTn
 12Kohms → R33
 10Kohms → R14
 1Kohms → R7 → DDR_RSTn
 1Kohms → R11 → DDR_CKE
 1Kohms → R14 → DDR_KGD_CKE

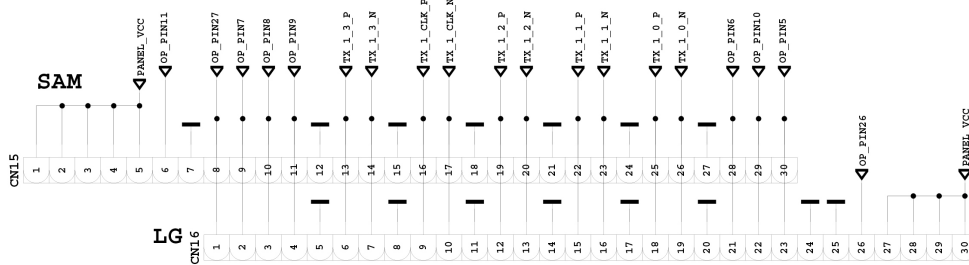
51 PIN FHD



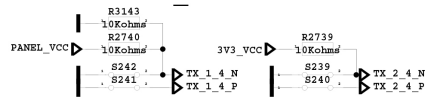
19" TO 22" DOUBLE LVDS FFC OPTIONS



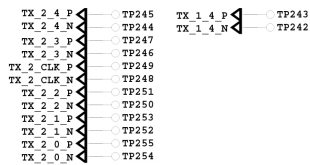
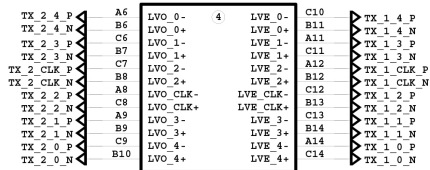
WXGA FFC



10_BIT PANEL



U3 NT72562MBG



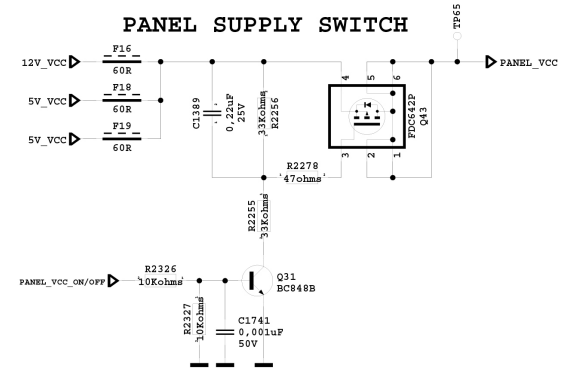
OPTIONS TABLE

PANEL_VCC	R2246	33Kohms	OP_PINS
	R2317	10Kohms	
3V3_VCC	R2328	10Kohms	
	R2348	10Kohms	
PANEL_VCC	R2318	33Kohms	OP_PIN6
	R2318	10Kohms	
PANEL_VCC	R2249	33Kohms	OP_PIN7
	R2320	10Kohms	
MEGA_DCR_IN	S244		
PANEL_VCC	R2250	33Kohms	OP_PIN8
	R2321	10Kohms	
MEGA_DCR_OUT	S233		OP_PIN9
PANEL_VCC	R2251	33Kohms	OP_PIN9
	R2322	10Kohms	
PANEL_VCC	R2245	33Kohms	OP_PIN10
	R2319	10Kohms	
PANEL_VCC	R2243	33Kohms	OP_PIN11
	R2315	10Kohms	
	R2313	10Kohms	OP_PIN26
3V3_VCC	R2334	10Kohms	OP_PIN27
	R2247	10Kohms	
PANEL_VCC	R2324	33Kohms	
	R2316	10Kohms	
PANEL_VCC	R2252	33Kohms	OP_PIN42
	R2323	10Kohms	
PANEL_VCC	R2253	33Kohms	OP_PIN43
	R2324	10Kohms	
	R2312	10Kohms	OP_PIN46
3V3_VCC	R2330	10Kohms	OP_PIN4
	R2257	10Kohms	
PANEL_VCC	R2331	33Kohms	OP_PIN4
	R2331	10Kohms	
	R2336	10Kohms	OP_PIN1

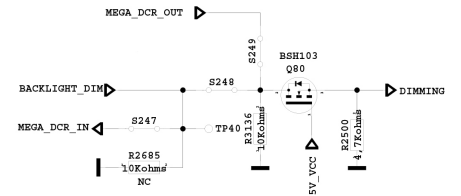
Test Pins

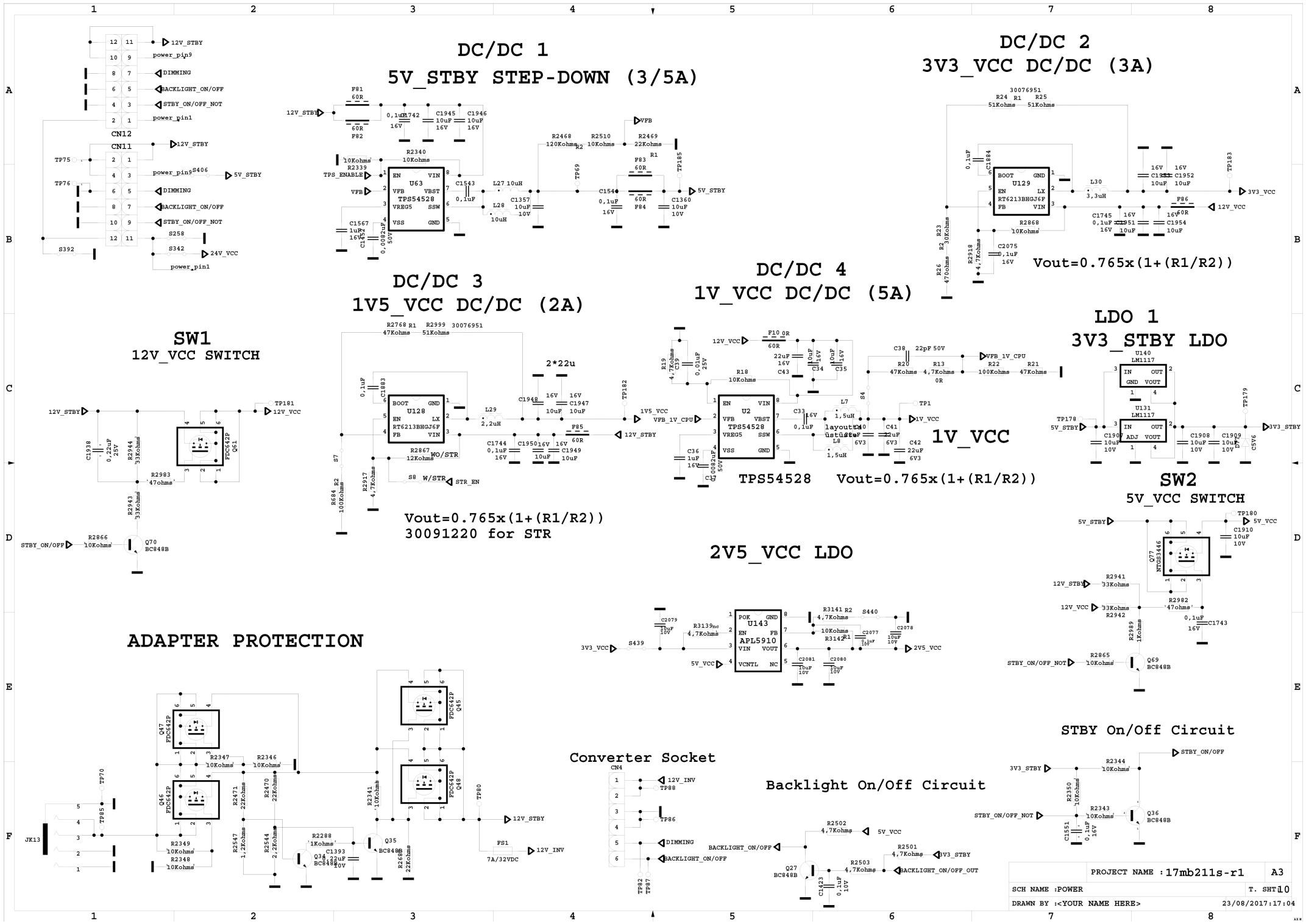
TX_1_0_N	TP53
TX_1_0_P	TP54
TX_1_1_N	TP55
TX_1_1_P	TP56
TX_1_2_N	TP57
TX_1_2_P	TP58
TX_1_CLK_N	TP64
TX_1_CLK_P	TP59
TX_1_3_N	TP60
TX_1_3_P	TP61

PANEL SUPPLY SWITCH



DIMMING





**DC/DC 1
5V_STBY STEP-DOWN (3/5A)**

**DC/DC 2
3V3_VCC DC/DC (3A)**

**DC/DC 3
1V5_VCC DC/DC (2A)**

**DC/DC 4
1V_VCC DC/DC (5A)**

$V_{out} = 0.765 \times (1 + (R1/R2))$

**LDO 1
3V3_STBY LDO**

**SW1
12V_VCC SWITCH**

**SW2
5V_VCC SWITCH**

ADAPTER PROTECTION

Converter Socket

Backlight On/Off Circuit

STBY On/Off Circuit

SCART

SCART VIDEO OUTPUT AMPLIFIER

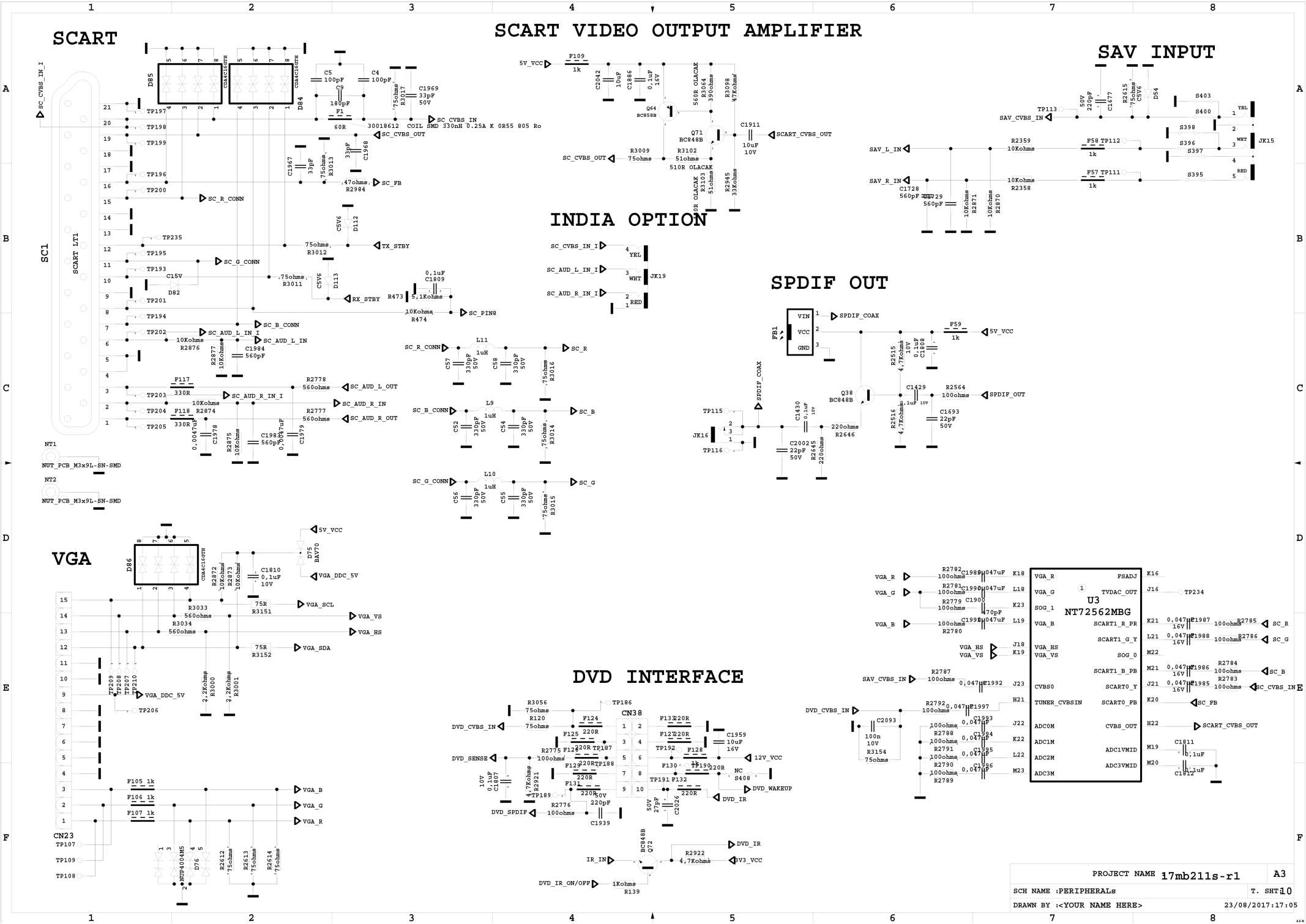
SAV INPUT

INDIA OPTION

SPDIF OUT

VGA

DVD INTERFACE



NT72562MBG

U3

FSADJ K16

TVDAC_OUT J16 TP234

SCART1_R_PR K21 0.047µF R1987 100ohms R2785 SC_R

SCART1_G_Y L21 0.047µF R1988 100ohms R2786 SC_G

SCART1_B_PB M21 0.047µF R1986 100ohms R2784 SC_B

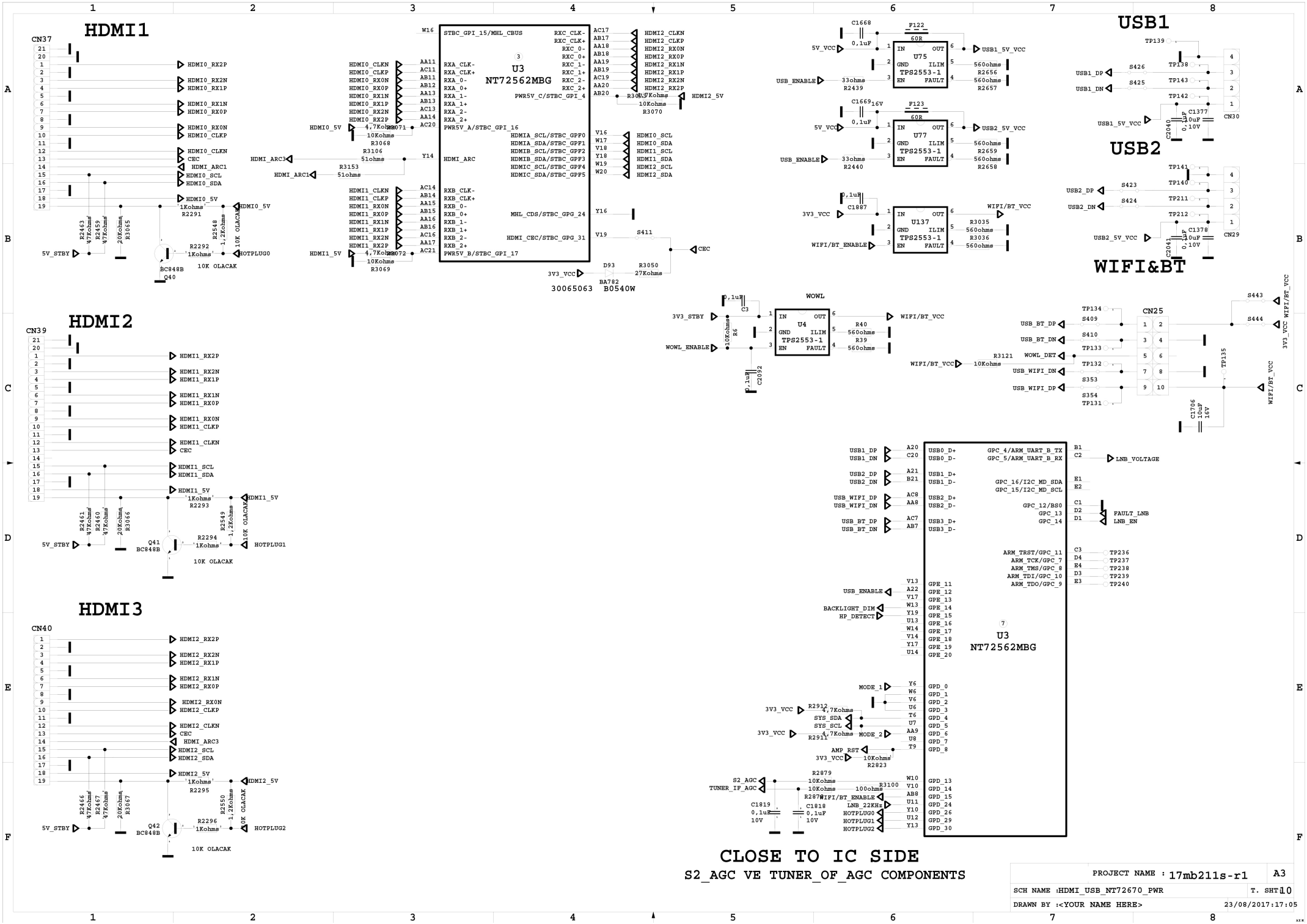
SCART0_Y J21 0.047µF R1985 100ohms R2783 SC_CVBS_IN

SCART0_FB K20 SC_FB

CVBS0 CVBS_OUT H22 SCART_CVBS_OUT

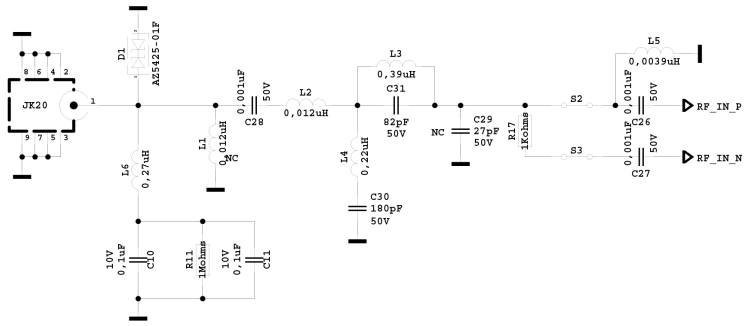
ADC0M ADC1VMID M19 C1811 10uF

ADC2M ADC3VMID M20 C1812 10uF

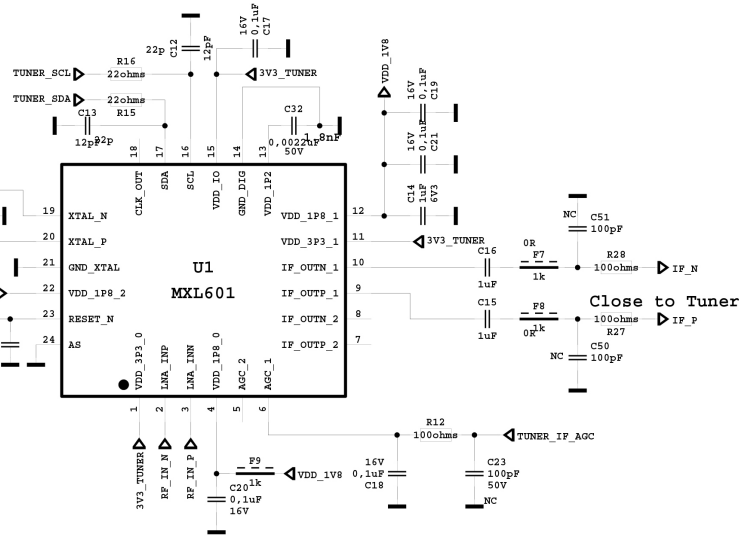


CLOSE TO IC SIDE
S2_AGC VE TUNER_OF_AGC COMPONENTS

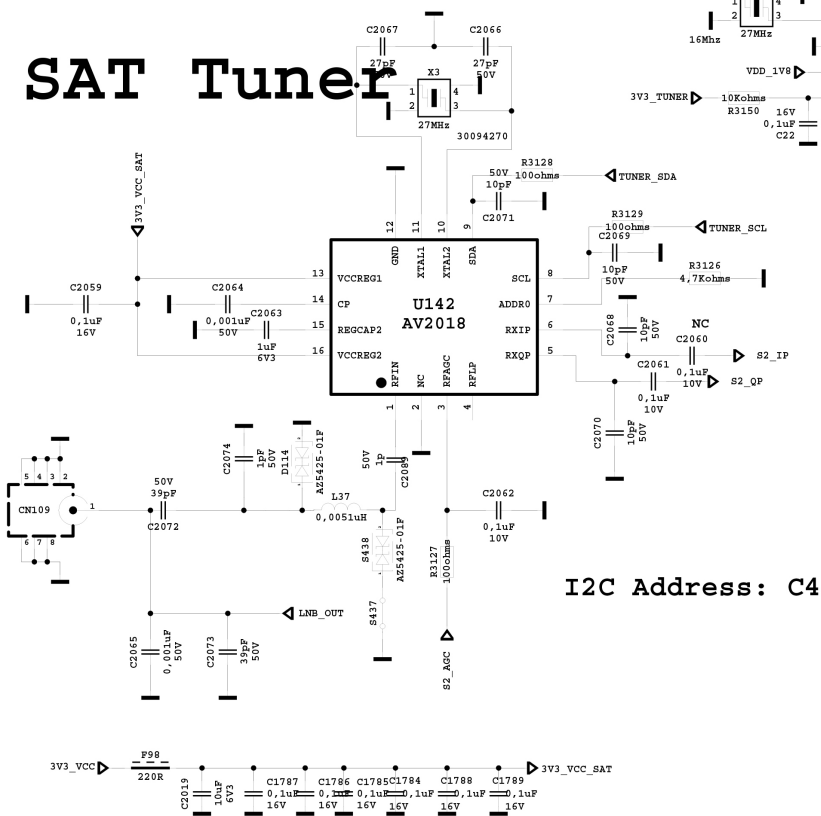
TUNER



TUNER

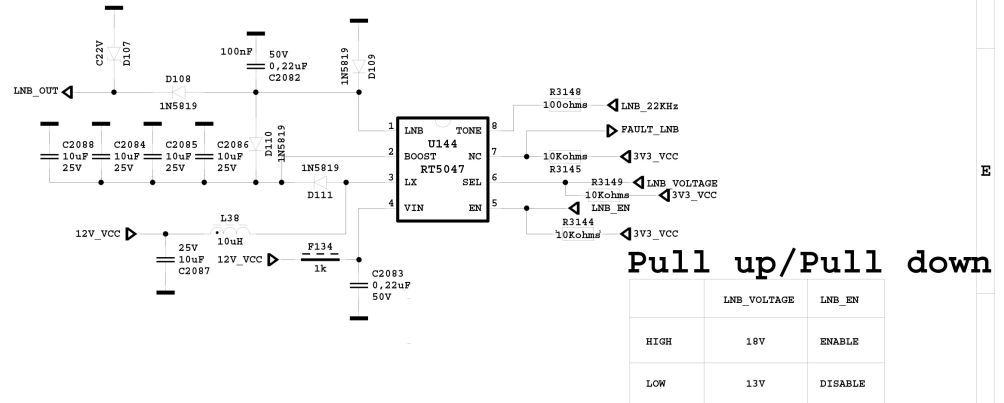


SAT Tuner



I2C Address: C4

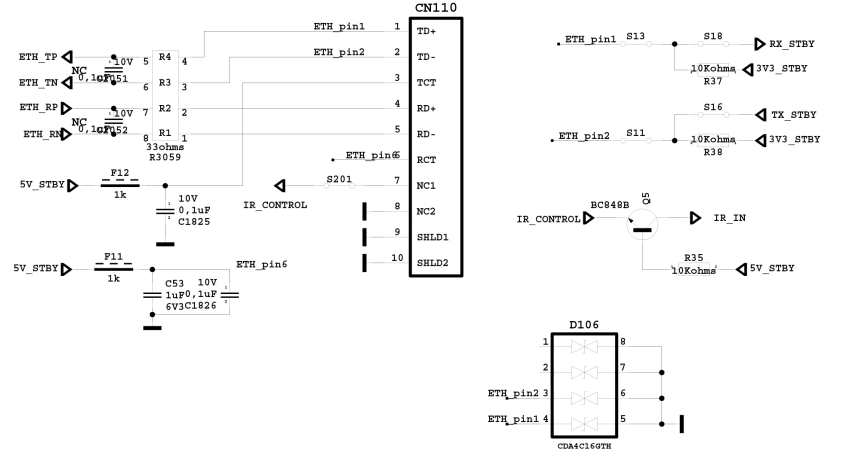
LNBP



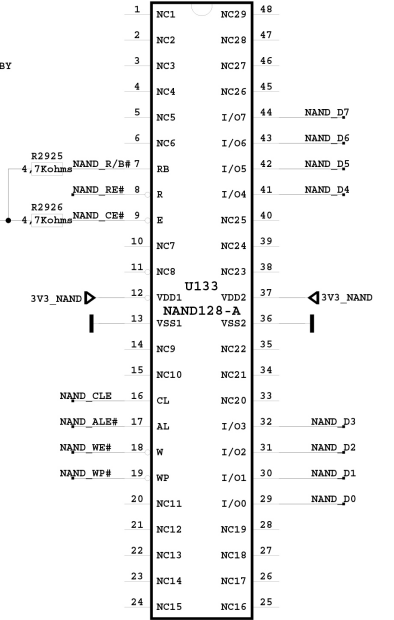
Pull up/Pull down

	LNBP_VOLTAGE	LNBP_EN
HIGH	18V	ENABLE
LOW	13V	DISABLE

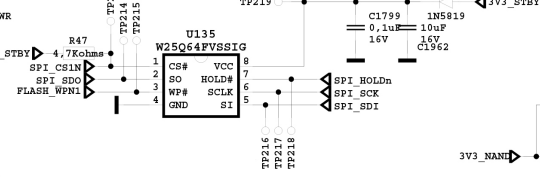
ETHERNET



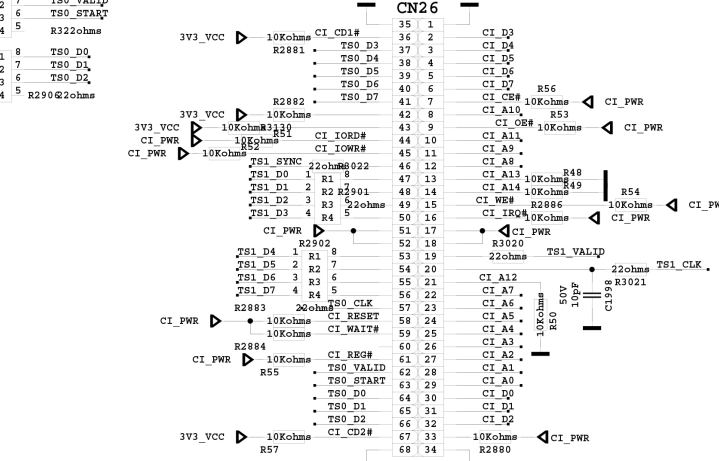
NAND FLASH



SPI FLASH



CI



12 MHz kullanılacak. (30068172)

NT72562MBG U3

STBC_GP2_6[BS12]	STBC_GP2_27/STBC_UART_1_TX
STBC_GP2_7[BS3]	STBC_GP2_28/STBC_UART_1_RX
	STBC_GP2_29/STBC_UART_0_TX
	STBC_GP2_30/STBC_UART_0_RX
STBC_GP3_3[BS18_IN]	STBC_GP14/I2C_M0_SDA
STBC_GP4_4[BS2]	STBC_GP15/I2C_M0_SCL
STBC_GP7_7/STBC_PWM[BS13_IN]	STBC_GP16/I2C_M1_SDA
STBC_GP10_10[BS1]	STBC_GP17/I2C_M1_SCL
STBC_GP11_11[BS1]	STBC_GP18[BS20]
STBC_GP12_12[BS20]	STBC_GP13
STBC_GP13_13	STBC_GP8/SAR_ADC_0
STBC_GP14_14	STBC_GP9/SAR_ADC_1
STBC_GP15_15	STBC_GP10/SAR_ADC_2
STBC_GP16_16	STBC_GP11/SAR_ADC_3
STBC_GP17_17	STBC_GP12/SAR_ADC_4
STBC_GP18_18	STBC_GP13/SAR_ADC_5
STBC_GP19_19	STBC_GP22/SAR_ADC_6
STBC_GP20_20	STBC_GP23/SAR_ADC_7
STBC_GP21_21	STBC_GP26/SAR_ADC_8

NT72562MBG U3 (continued)

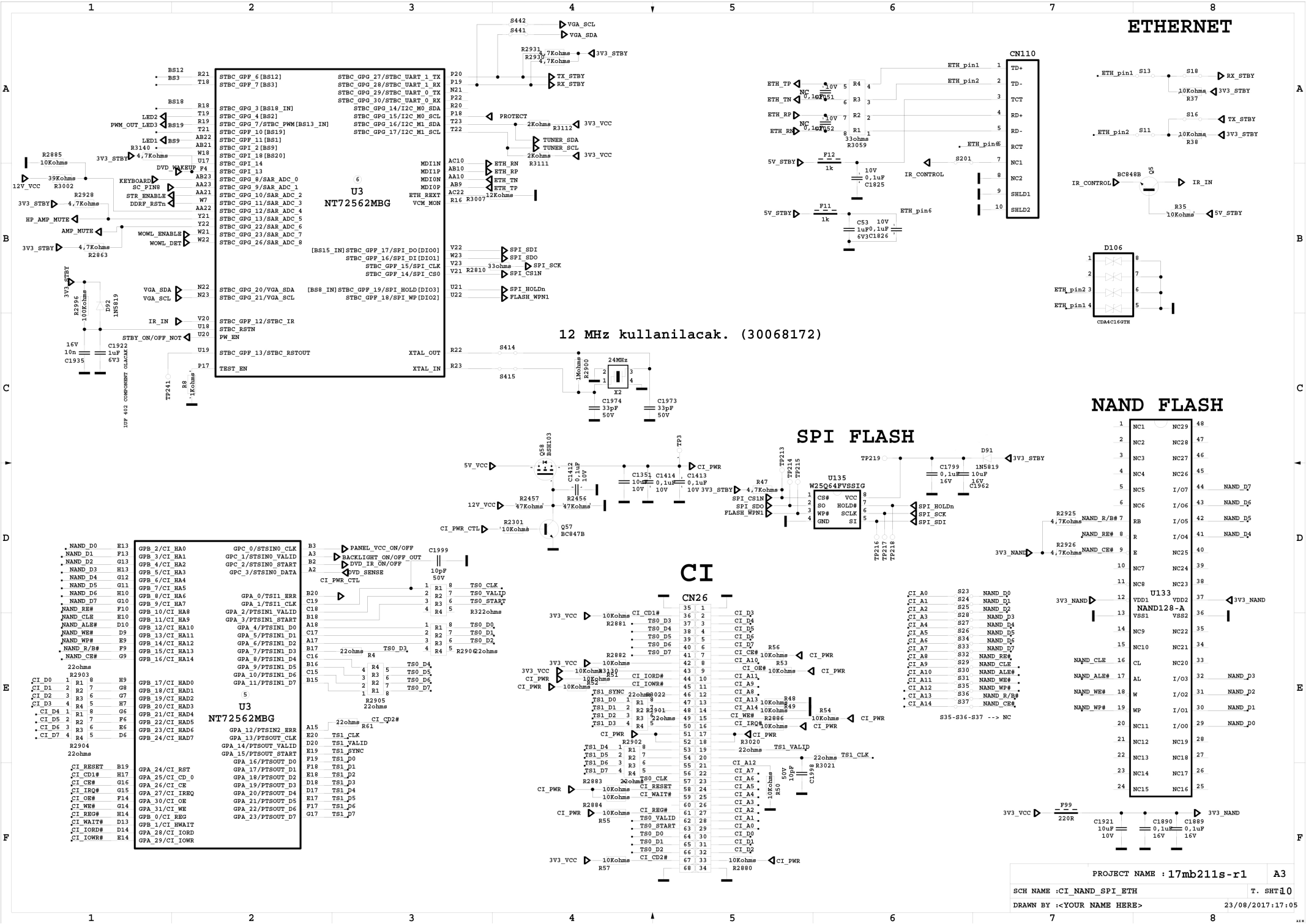
[BS15_IN]STBC_GP17/SPI_DO[DIO0]	MDI1N
STBC_GP16/SPI_DI[DIO1]	MDI1P
STBC_GP15/SPI_CLK	MDI0N
STBC_GP14/SPI_CS0	MDI0P
[BS8_IN]STBC_GP19/SPI_HOLD[DIO3]	ETH_RXET
STBC_GP18/SPI_WP[DIO2]	VCM_MON
STBC_GP12/STBC_IR	
STBC_RSTN	
FW_EN	
STBC_GP13/STBC_RSTOUT	
TEST_EN	

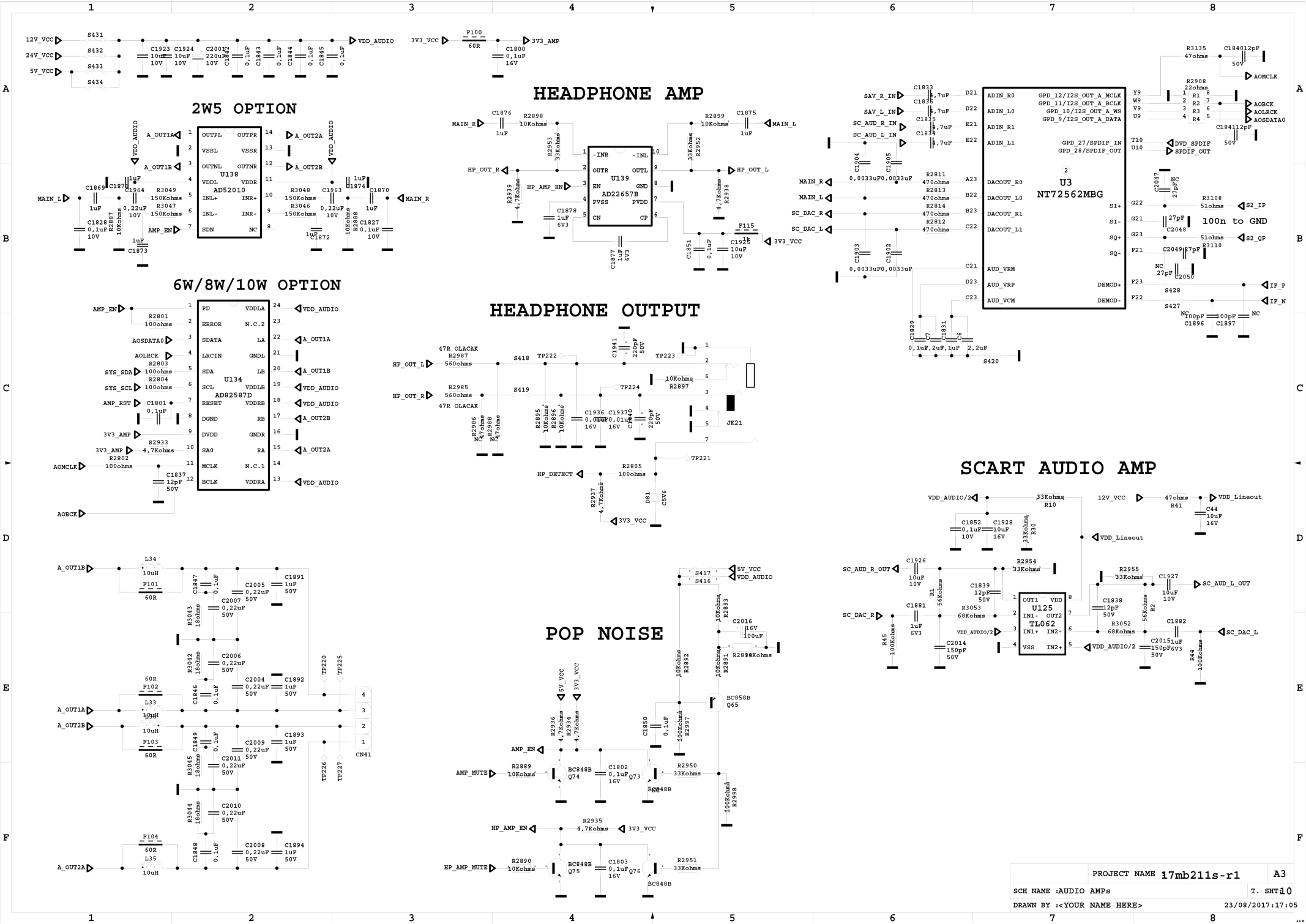
NT72562MBG U3 (continued)

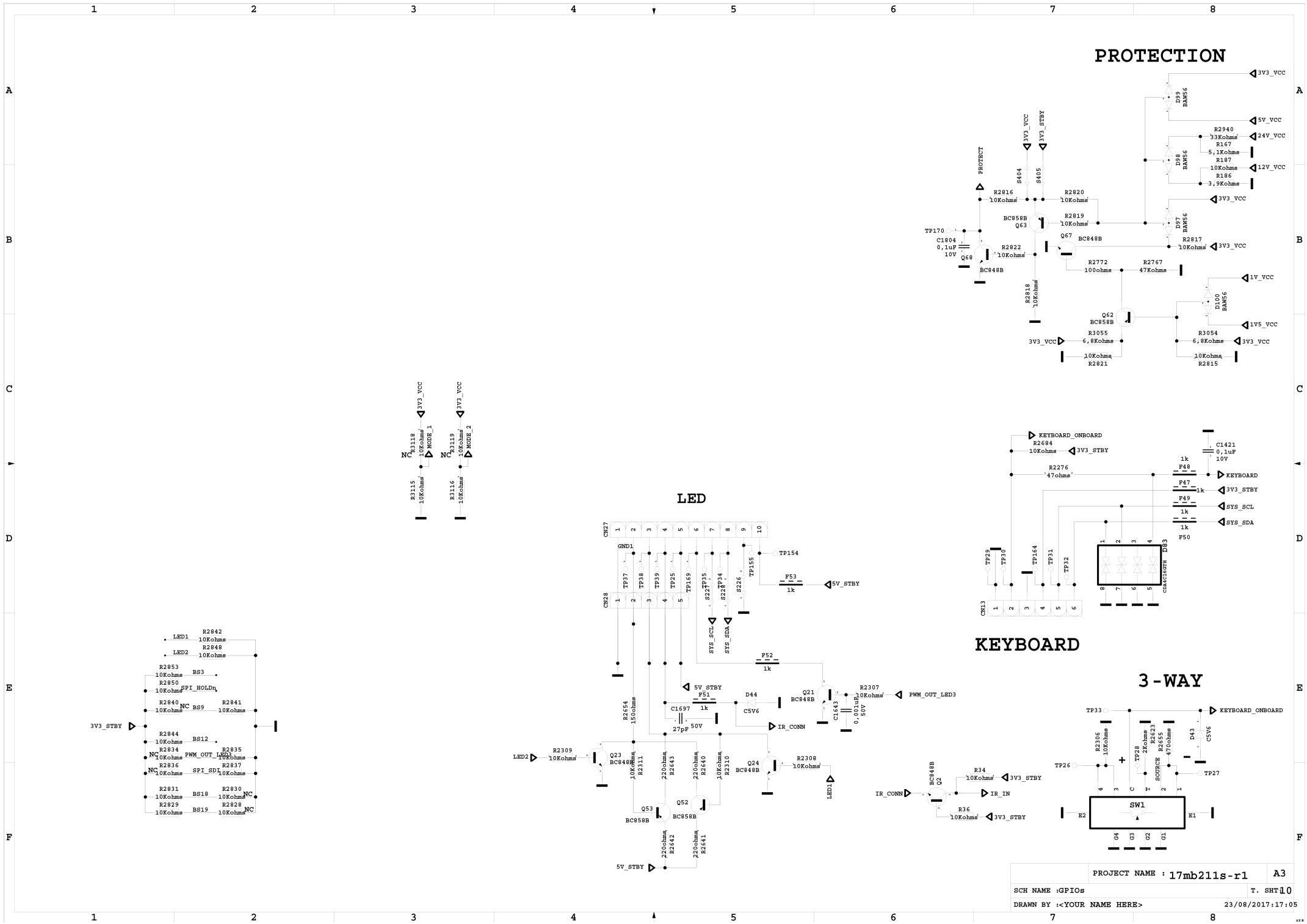
GPA_0/TS11_ERR	B3	PANEL_VCC_ON/OFF	C1999
GPA_1/TS11_CLK	A3	BACKLIGHT_ON/OFF_OUT	
GPA_2/TS11_VALID	A2	DVD_IR_ON/OFF	
GPA_3/PTSIN1_START	B2	DVD_SENSOR	10pF
GPA_4/PTSIN1_D0	A2		50V
GPA_5/PTSIN1_D1	A2		
GPA_6/PTSIN1_D2	A2		
GPA_7/PTSIN1_D3	A2		
GPA_8/PTSIN1_D4	A2		
GPA_9/PTSIN1_D5	A2		
GPA_10/PTSIN1_D6	A2		
GPA_11/PTSIN1_D7	A2		
GPA_12/PTSIN1_ERR	A2		
GPA_13/PTSOUT_CLK	A2		
GPA_14/PTSOUT_VALID	A2		
GPA_15/PTSOUT_START	A2		
GPA_16/PTSOUT_D0	A2		
GPA_17/PTSOUT_D1	A2		
GPA_18/PTSOUT_D2	A2		
GPA_19/PTSOUT_D3	A2		
GPA_20/PTSOUT_D4	A2		
GPA_21/PTSOUT_D5	A2		
GPA_22/PTSOUT_D6	A2		
GPA_23/PTSOUT_D7	A2		

NT72562MBG U3 (continued)

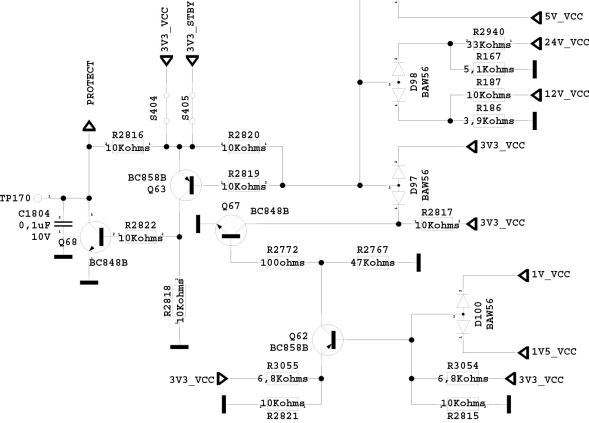
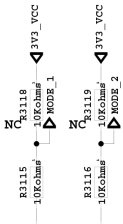
GPA_24/CI_RST	B19	CI_RESET	B19
GPA_25/CI_CD_0	H17	CI_CD1#	H17
GPA_26/CI_CE	G8	CI_CE#	G16
GPA_27/CI_IRQ#	G15	CI_IRQ#	G15
GPA_30/CI_OE	F14	CI_OE#	F14
GPA_31/CI_WE	G14	CI_WE#	G14
GPA_0/CI_REG	H14	CI_REG#	H14
GPA_1/CI_HWAIT	D13	CI_WAIT#	D13
GPA_28/CI_IORD	D14	CI_IORD#	D14
GPA_29/CI_TWR	E14	CI_IOWR#	E14



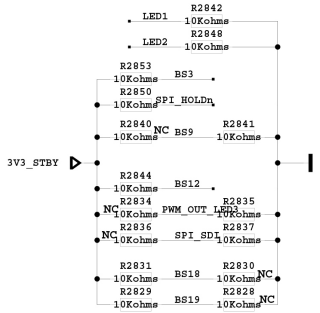
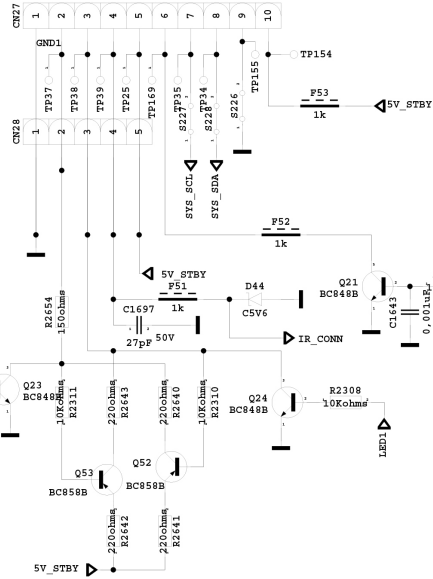




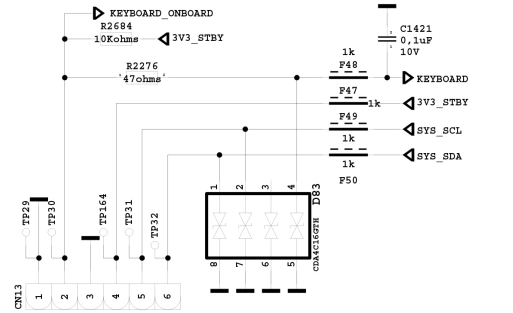
PROTECTION



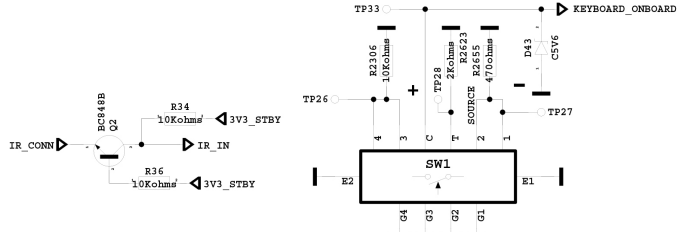
LED



KEYBOARD



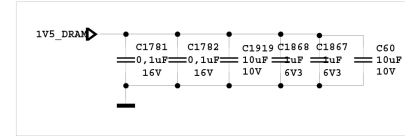
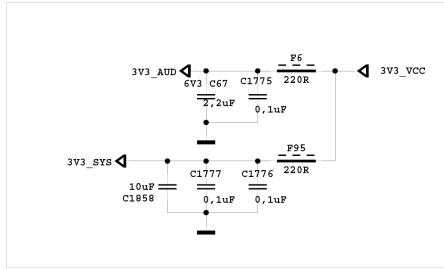
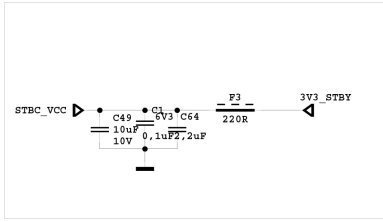
3-WAY



1 2 3 4 5 6 7 8

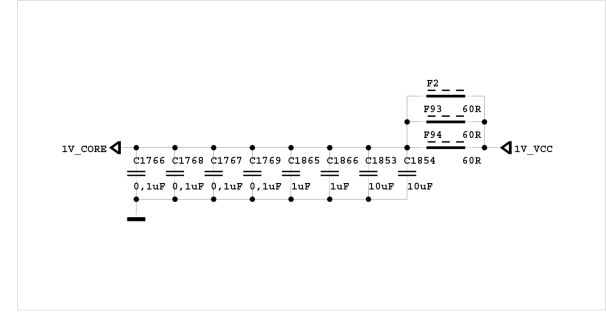
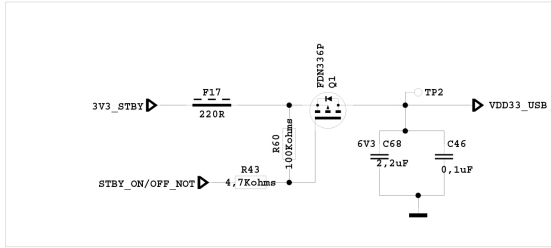
A

A



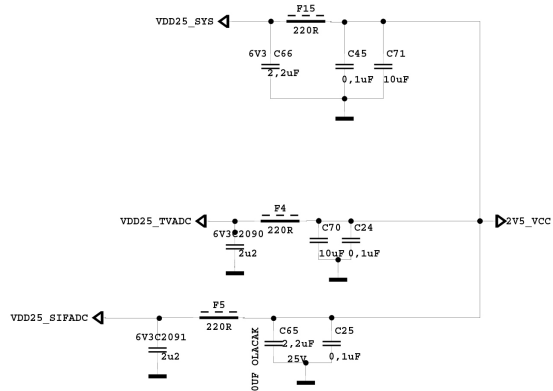
B

B



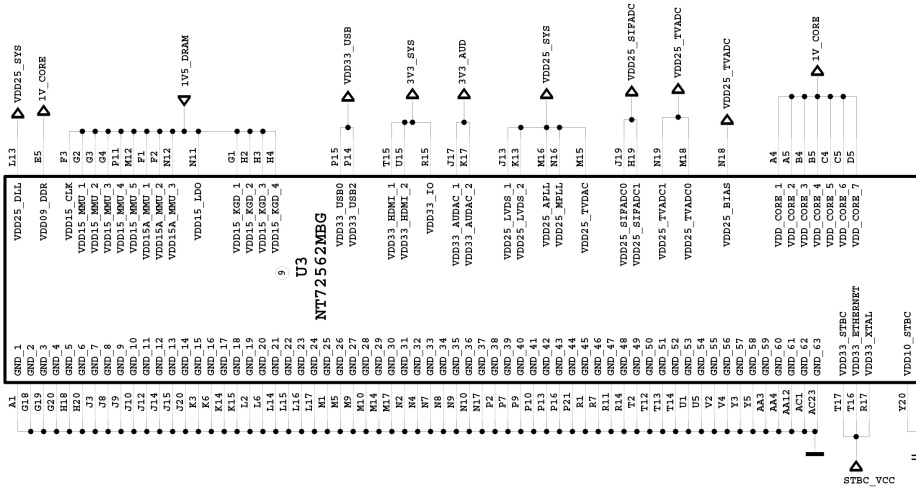
C

C



D

D



E

E

F

F

PROJECT NAME : 17mb211s-r1		A3
SCH NAME :NT72562_POWER		T. SHR10
DRAWN BY :<YOUR NAME HERE>		23/08/2017:17:05

1 2 3 4 5 6 7 8