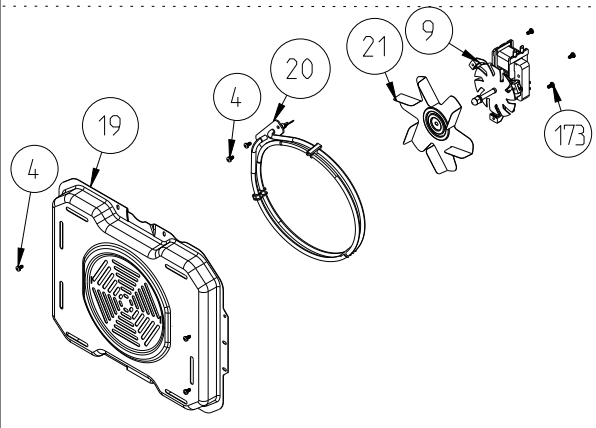
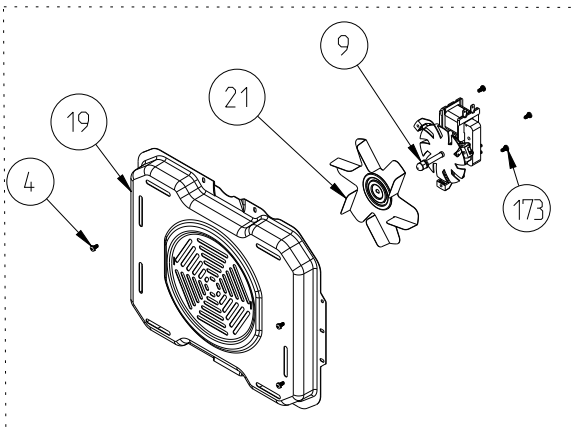


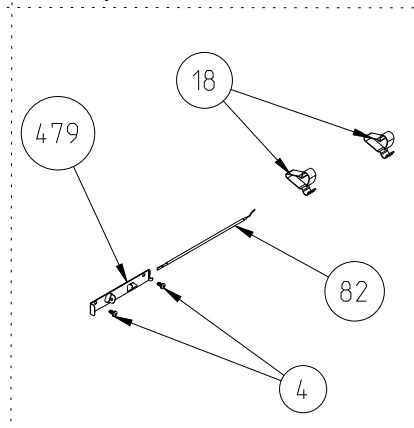
Limit thermostat used before top cavity assembling brackets revision date 11.11.2013.



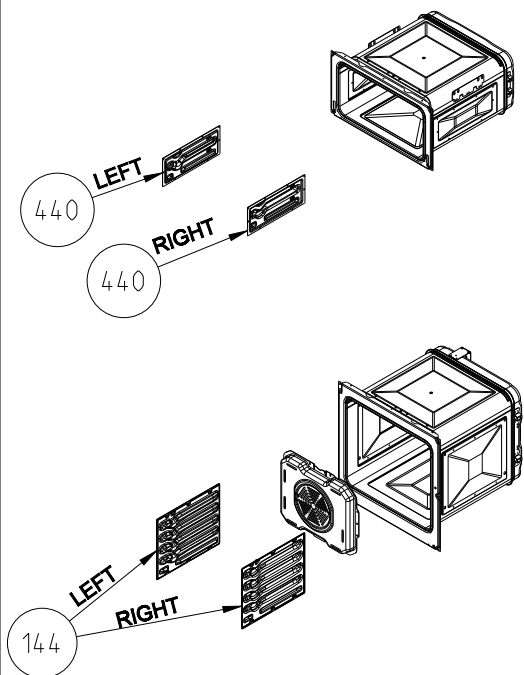
**RING HEATING ELEMENT WITH FAN (OPTIONAL)**



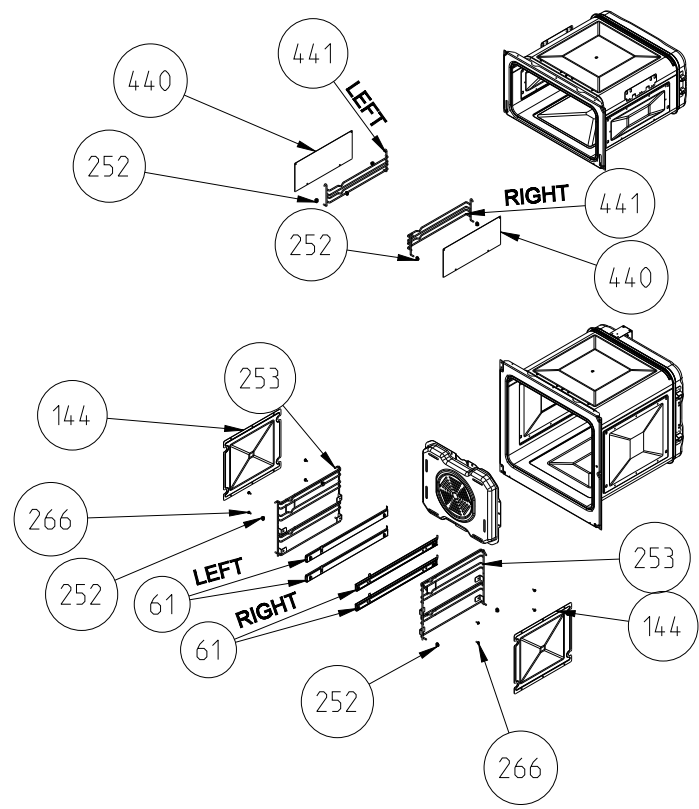
**FAN COVER /FAN IMPELLER (6 WINGS /FAN MOTOR )- (OPTIONAL)**



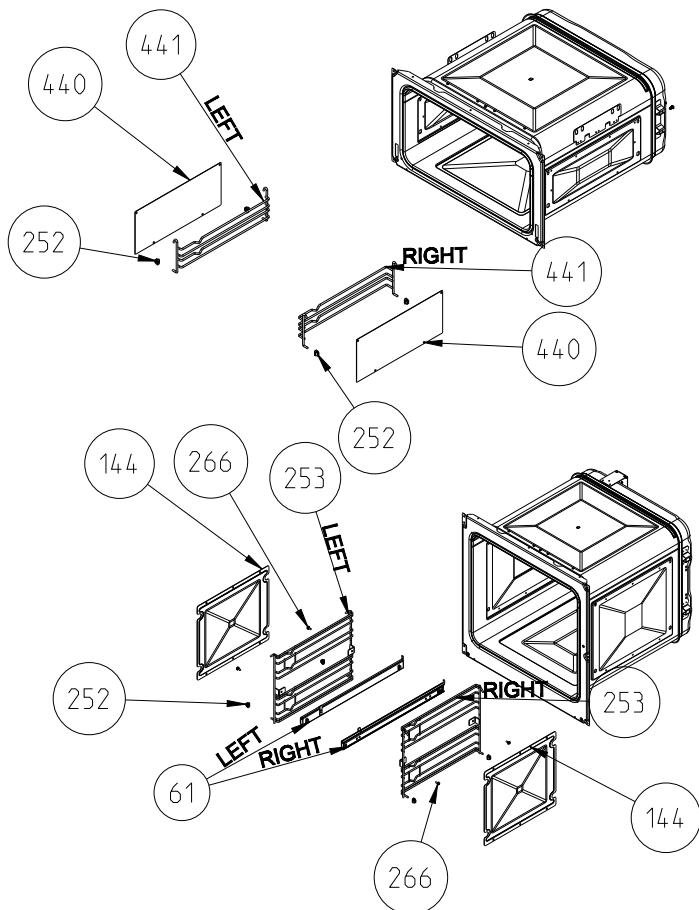
**THERMOSTAT BULB HOLDER/BRACKET**



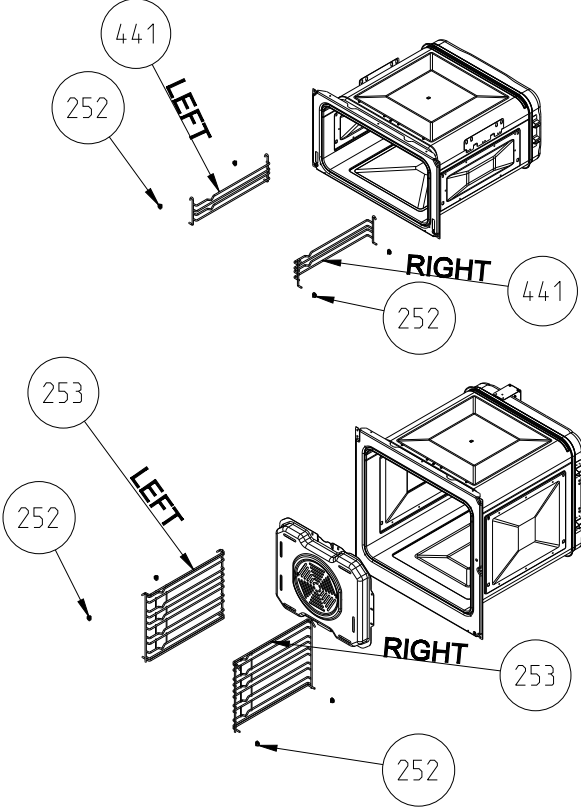
**CAVITY ASSEMBLY WITH CATALYTIC SHELF (OPTIONAL)**



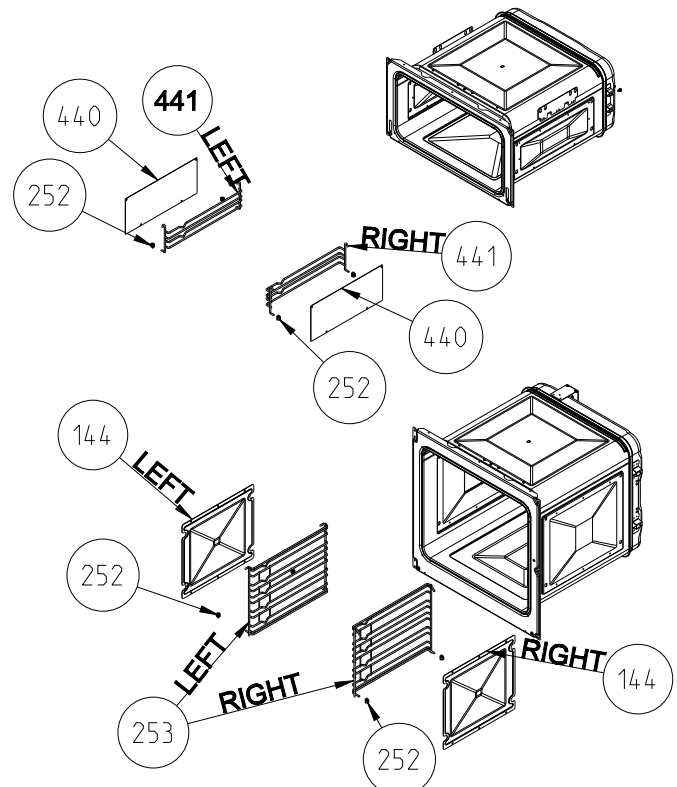
**WIRE SHELF CAVITY ASSEMBLY WITH / WITHOUT CATALYTIC PANEL OPTIONAL :DOUBLE TELESCOPIC RAILS (R / L)**



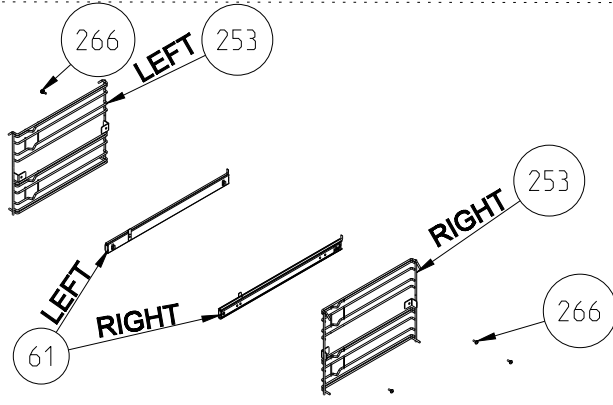
**WIRE SHELF CAVITY ASSEMBLY WITH / WITHOUT CATALYTIC PANEL OPTIONAL :TELESCOPIC RAIL (R / L)**



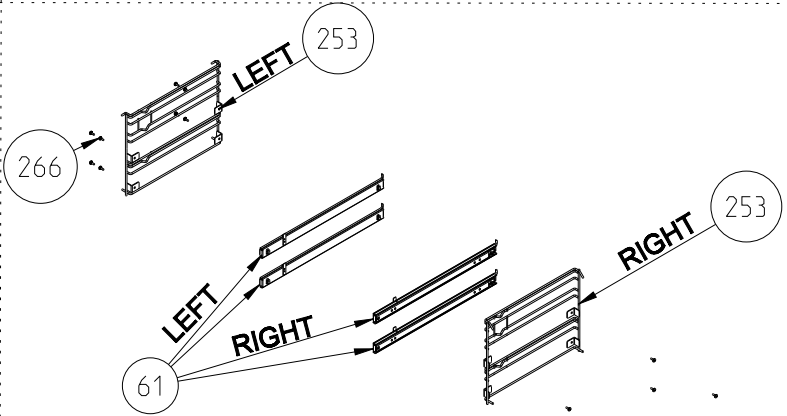
**CAVITY ASSEMBLY WITH WIRE SHELF (OPTIONAL)**



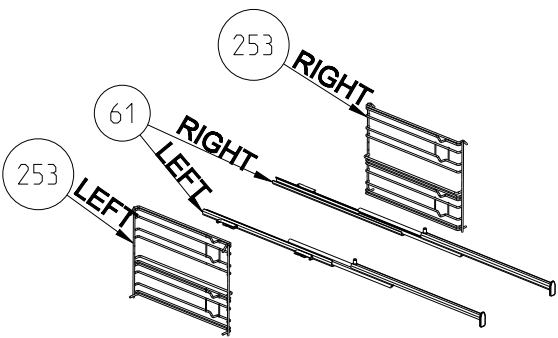
**WIRE SHELF CAVITY ASSEMBLY WITH / WITHOUT CATALYTIC PANEL (OPTIONAL)**



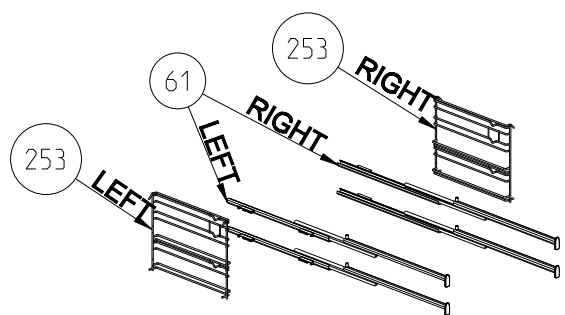
**POSITION NUMBER :588  
WIRE SHELF (SINGLE EXTENSION)  
OPTIONAL :SINGLE TELESCOPIC RAILS (R / L)**



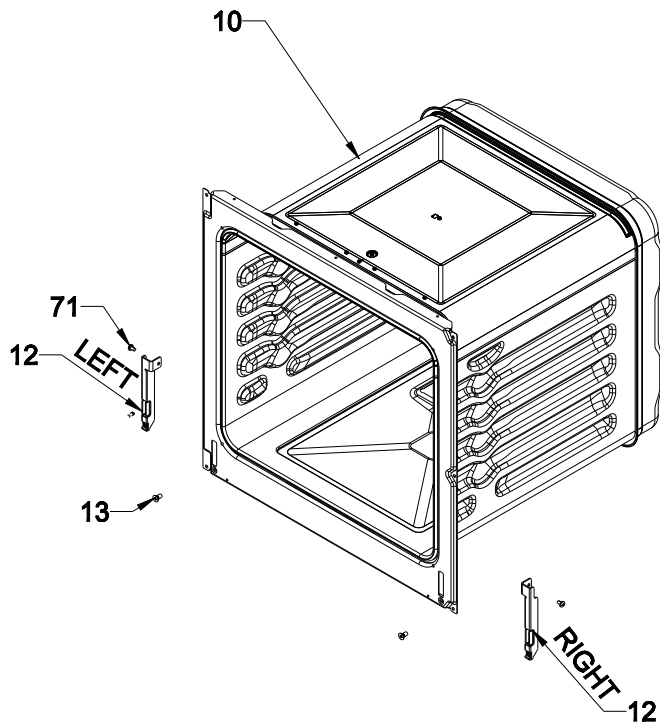
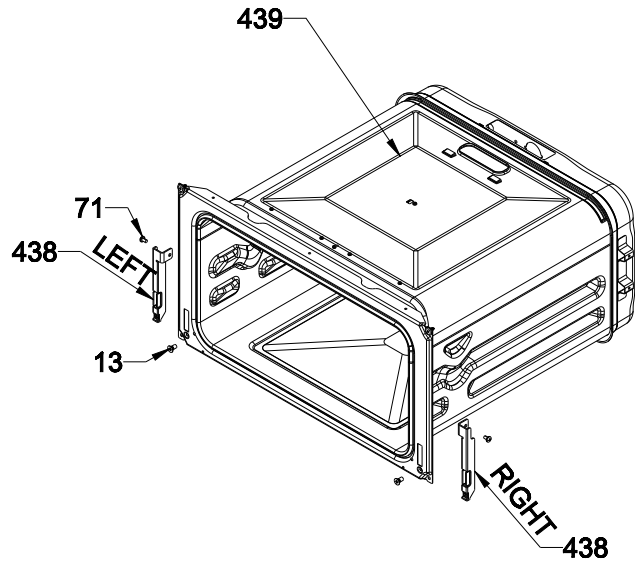
**POSITION NUMBER :587  
WIRE SHELF (SINGLE EXTENSION)  
OPTIONAL :DOUBLE TELESCOPIC RAILS (R / L)**



**POSITION NUMBER :586  
WIRE SHELF (FULL EXTENSION)  
OPTIONAL :SINGLE TELESCOPIC RAILS (R / L)**

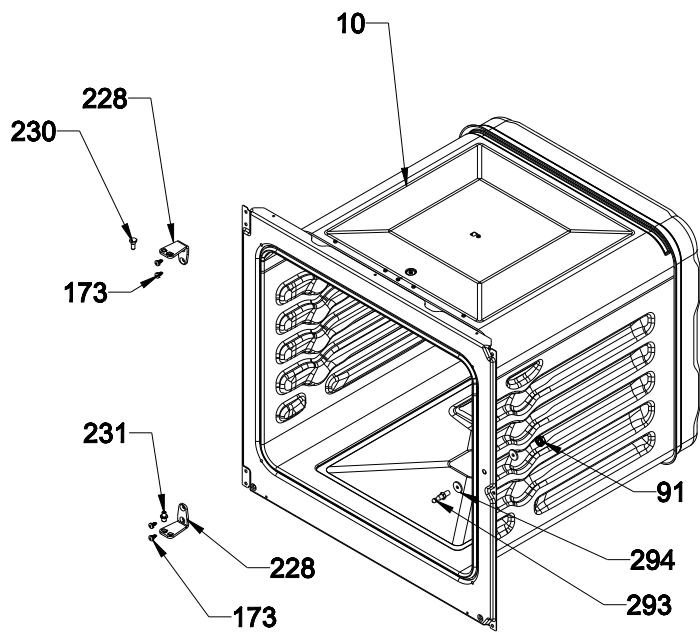
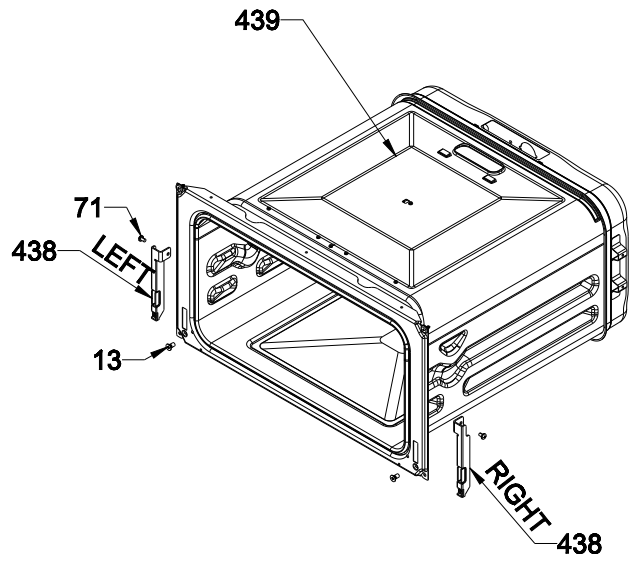


**POSITION NUMBER :585  
WIRE SHELF (FULL EXTENSION)  
OPTIONAL :DOUBLE TELESCOPIC RAILS (R / L)**

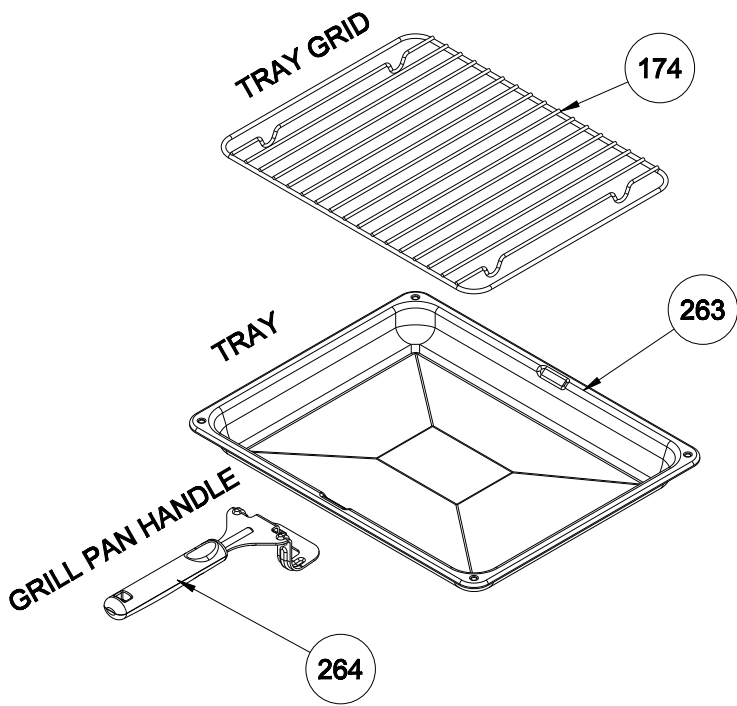


CAVITY ASSEMBLY FOR DROP DOWN OPENING OVEN DOOR

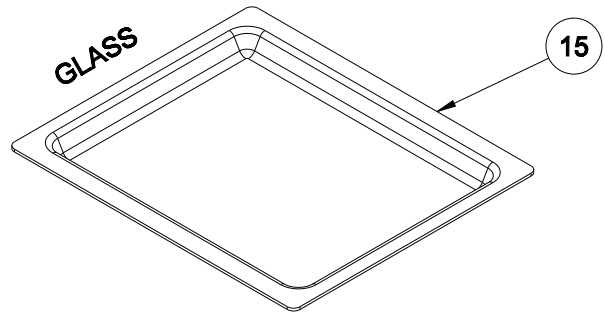
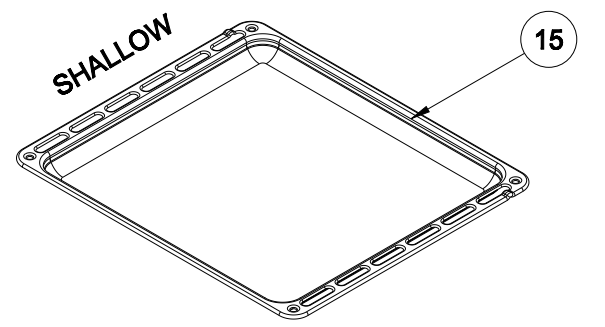
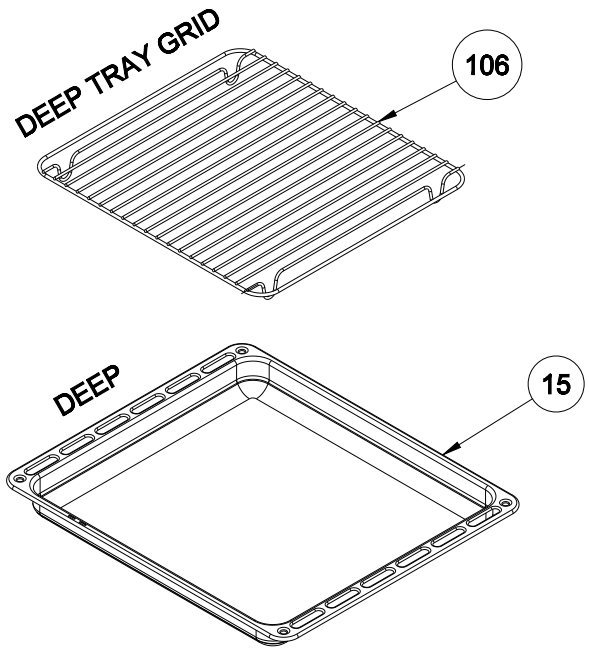
(OPTIONAL)



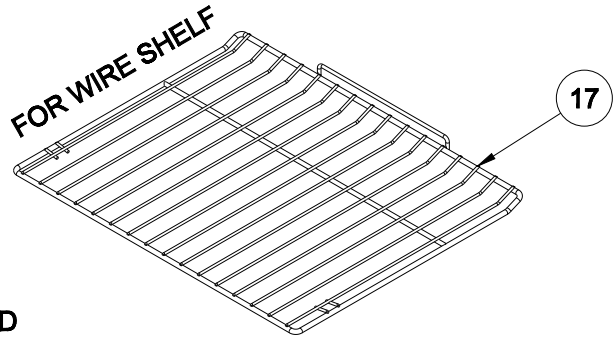
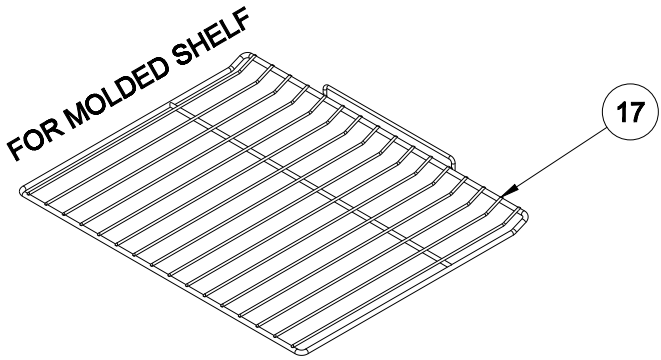
CAVITY ASSEMBLY FOR SIDE OPENING OVEN DOOR  
(OPTIONAL)



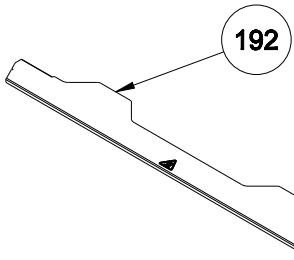
GRILL PAN AND HANDLE SET  
(TRAY SET FOR GRILL)  
POSITION NUMBER : 265 (OPTIONAL)



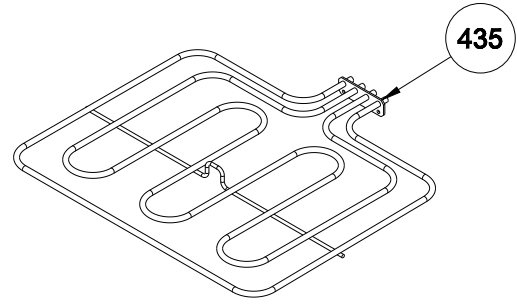
TRAYS & GRID  
(OPTIONAL FOR DB.OVEN ELC)



GRID  
(OPTIONAL)



DO GRILL HEAT SHIELD  
(OPTIONAL)



TOP AND HEATING GRILL ELEMENT  
(OPTIONAL)

**TOP / MAIN CAVITY ASSEMBLY SPARE PARTS**

<b>POSITION NUMBER</b>	<b>PART NAME</b>
2	OVEN LIGHT
4	SCREW (3.9X9.5)
7	REAR INSULATION COVER
9	FAN MOTOR
10	CAVITY (BOTTOM OVEN)
12	HINGE COUNTERPART (LEFT/RIGHT)-BOTTOM OVEN
13	HINGE COUNTERPART FRONT CONTACT SCREW
15	TRAY (DEEP /SHALLOW,BLACK)
16	OVEN DOOR GASKET (BOTTOM OVEN)
17	GRID
18	THERMOSTAT BULB BRACKET
19	FAN COVER (NO TRUNSPIT,BLACK)
20	RING TUBULAR HEATING ELEMENT
21	FAN IMPELLER
38	TOP OVEN /MAIN OVEN EXHAUST ASSMBLY(ELC)
40	SCREW (KNURLED, 3.5*9.5)
61	TELESCOPIC RAIL (RIGHT / LEFT)
71	HINGE COUNTERPART SIDE CONTACT SCREW
82	CAPILARY THERMOSTAT
91	NUT
106	DEEP TRAY GRID (OPTIONAL FOR DB.OVEN ELC)
107	WASHER
110	BOTTOM HEATING ELEMENT (BOTTOM OVEN)
111	BOTTOM HEATING ELEMENT HOLDER
112	TOP AND GRILL HEATING ELEMENT (BOTTOM OVEN)
114	TOP AND GRILL HEATING BULB BRACKET
117	TURNSPIT MOTOR
144	CATALYTIC PANEL WITH WIRE SHELF (ENAMELLED))-BOTTOM OVEN
	SHELF COVER (RIGHT /LEFT,CATALYTIC ENAMELLED)-BOTTOM OVEN
173	SCREW (COUNTERSUNK-HEAD, 3.9*13)
174	TRAY GRID
189	TOP CAVITY HEAT COVER (DB.OVEN)
192	DO GRILL HEAT SHIELD
228	SIDE OPENING MAIN DOOR BRACKET
230	SIDE OPENING MAIN DOOR BRACKET UPPER PIN
231	SIDE OPENING MAIN DOOR BRACKET LOWER PIN
252	WIRE SHELF FIXING CLIP
253	WIRE SHELF (LEFT /RIGHT)-BOTTOM OVEN
263	GRILL TRAY (BLACK)
264	TRAY HOLDER

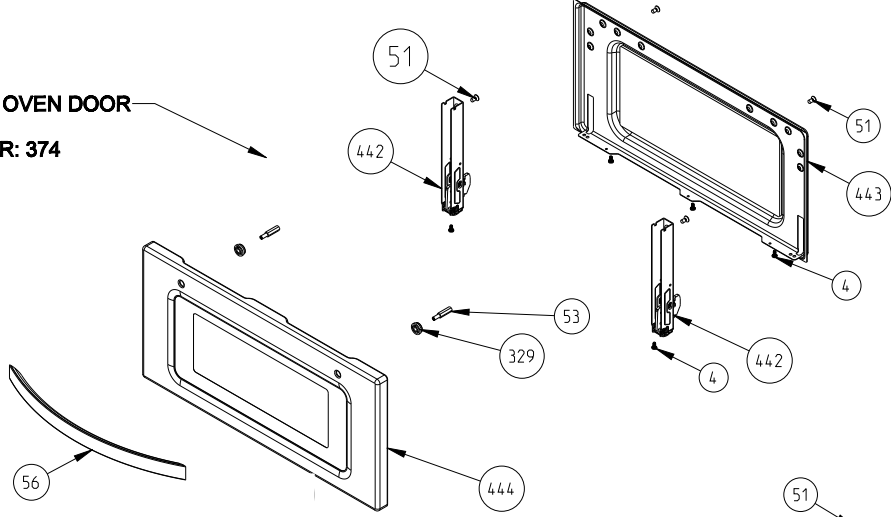
The exploded views given in this document are generic.They include all possible versions of the product. For specific part codes,please refer to the bom list of regarding model.

TOP / MAIN CAVITY ASSEMBLY SPARE PARTS	
POSITION NUMBER	PART NAME
265	TRAY SET (SMALL,BLACK)
266	TELESCOPIC RAIL CONTACT SCREW
293	SIDE OPENING DOOR LOCK PIN
294	SIDE OPENING DOOR LOCK WASHER
317	EXHAUST FIXING WIRE
328	WASHER (ENAMELLED,BLACK)
435	TOP HAEATING ELEMENT (TOP OVEN)
436	BOTTOM HAEATING ELEMENT (TOP OVEN)
437	OVEN DOOR GASKET (TOP OVEN)
438	HINGE COUNTERPART(LEFT /RIGHT )-TOP OVEN
439	CAVITY (TOP OVEN)
440	CATALYTIC PANEL WITH WIRE SHELF (ENAMELLED)-TOP OVEN
	SHELF COVER (RIGHT /LEFT ,CATALYTIC ENAMELLED)-TOP OVEN
441	WIRE SHELF (LEFT /RIGHT )-TOP OVEN
448	LIMIT THERMOSTAT 170° C /200° C (ONLY FOR SOME MODELS)
449	LIMIT THERMOSTAT 140° C
479	THERMOSTAT BULB HOLDER (ELECTRIC)
585	STRING SHELF GROUP (FULL EXTENSION)
586	STRING SHELF GROUP (FULL EXTENSION)
587	STRING SHELF GROUP (SINGLE EXTENSION)
588	STRING SHELF GROUP (SINGLE EXTENSION)
618	LAMP

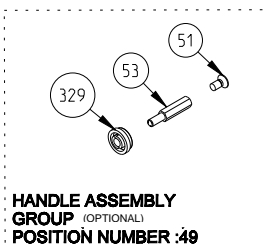
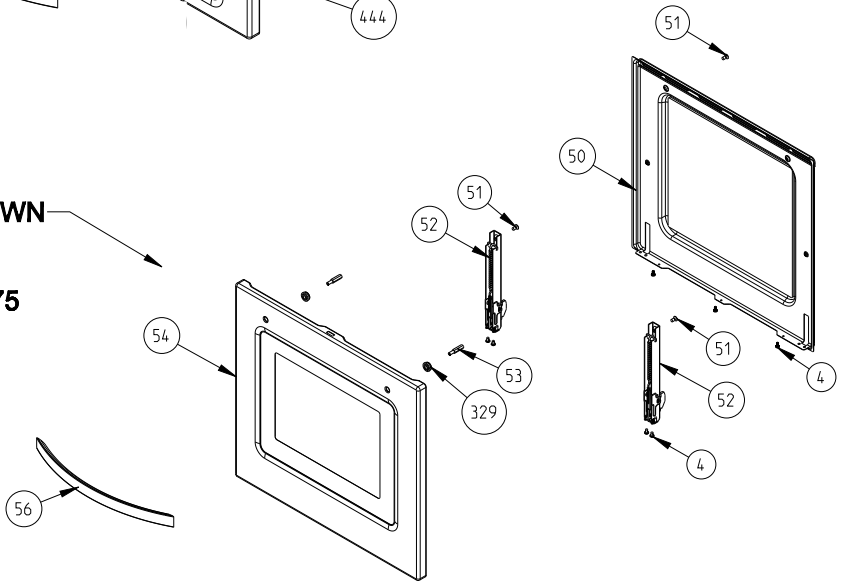
The exploded views given in this document are generic.They include all possible versions of the product. For specific part codes,please refer to the born list of regarding model.



**SOLID TYPE -TOP OVEN DOOR  
(OPTIONAL)  
POSITION NUMBER: 374**

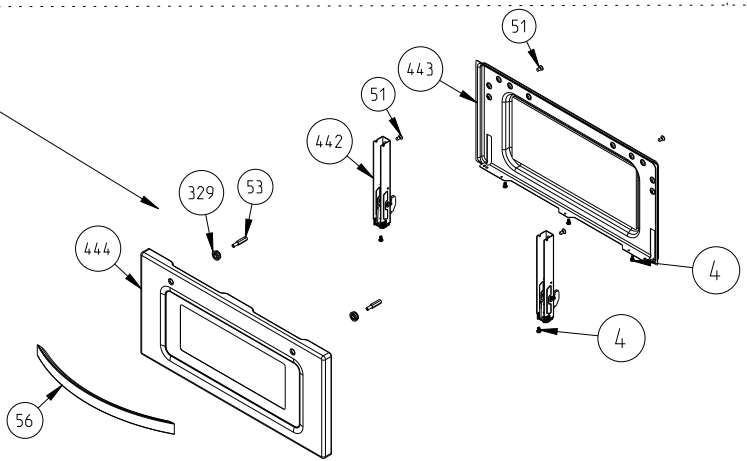


**SOLID TYPE -DROP DOWN  
OPENING OVEN DOOR  
(OPTIONAL)  
POSITION NUMBER : 375**

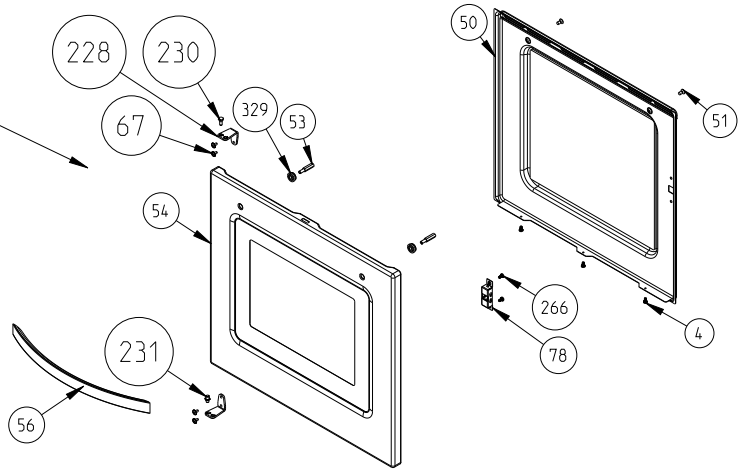


**HANDLE ASSEMBLY  
GROUP (OPTIONAL)  
POSITION NUMBER :49**

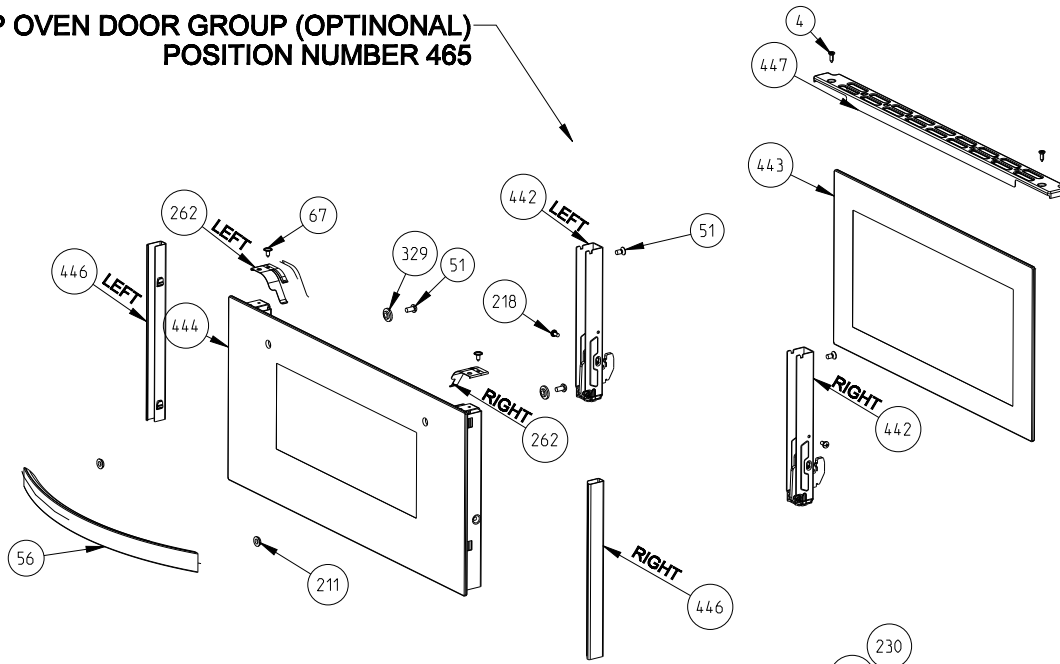
**SOLID TYPE -TOP OVEN DOOR  
(OPTIONAL)  
POSITION NUMBER: 374**



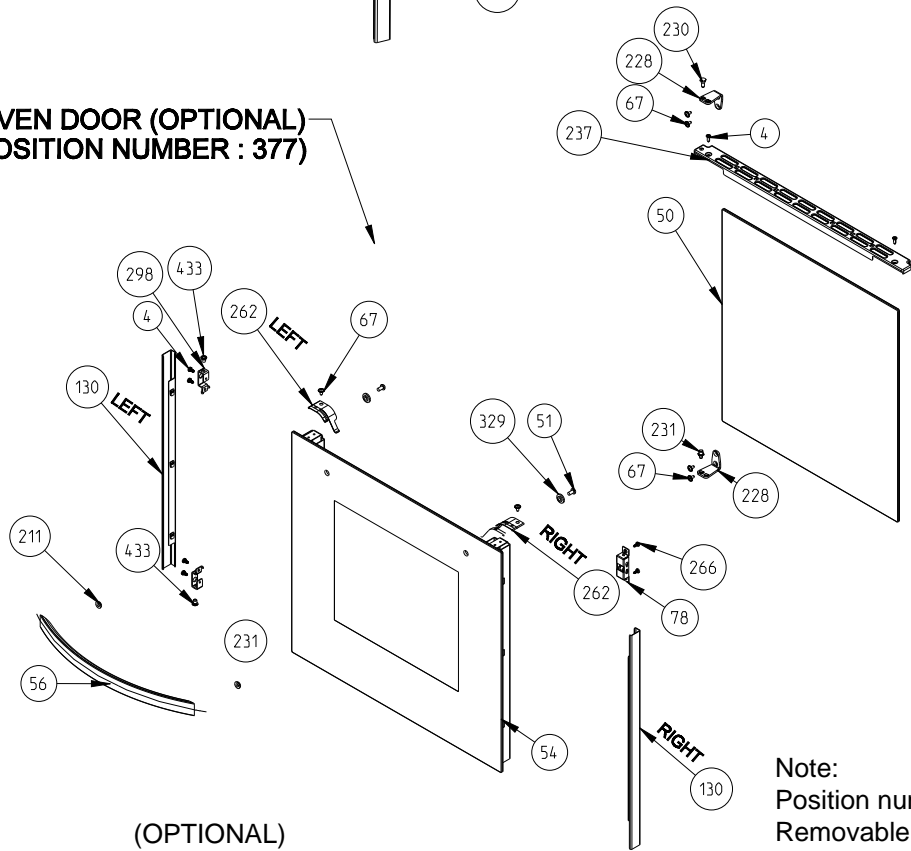
**SOLID TYPE -SIDE OPENING OVEN DOOR  
(OPTIONAL)  
POSITION NUMBER : 375**



**TOP OVEN DOOR GROUP (OPTIONAL)  
POSITION NUMBER 465**

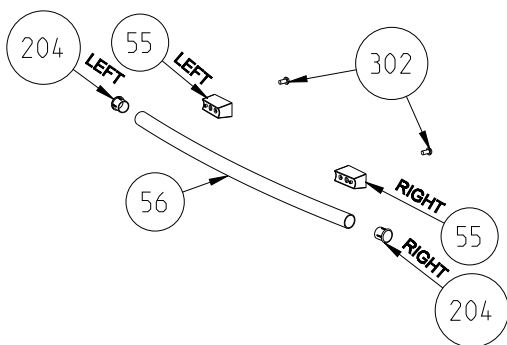


**FLAT TYPE-SIDE OPENING OVEN DOOR (OPTIONAL)  
(POSITION NUMBER : 377)**

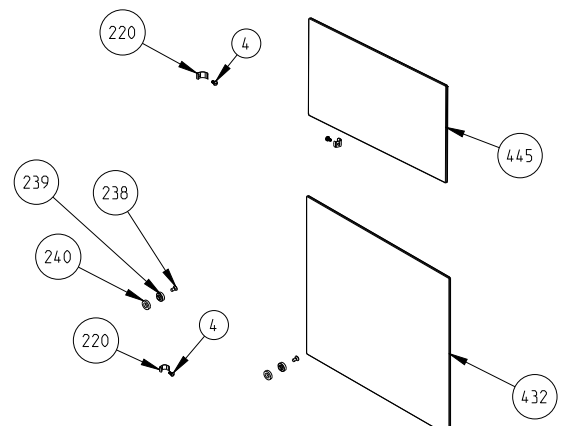


(OPTIONAL)

Note:  
Position number 262  
Removable Glass  
version (Optional)



**HANDLE WITH BRACKET  
(OPTIONAL)**

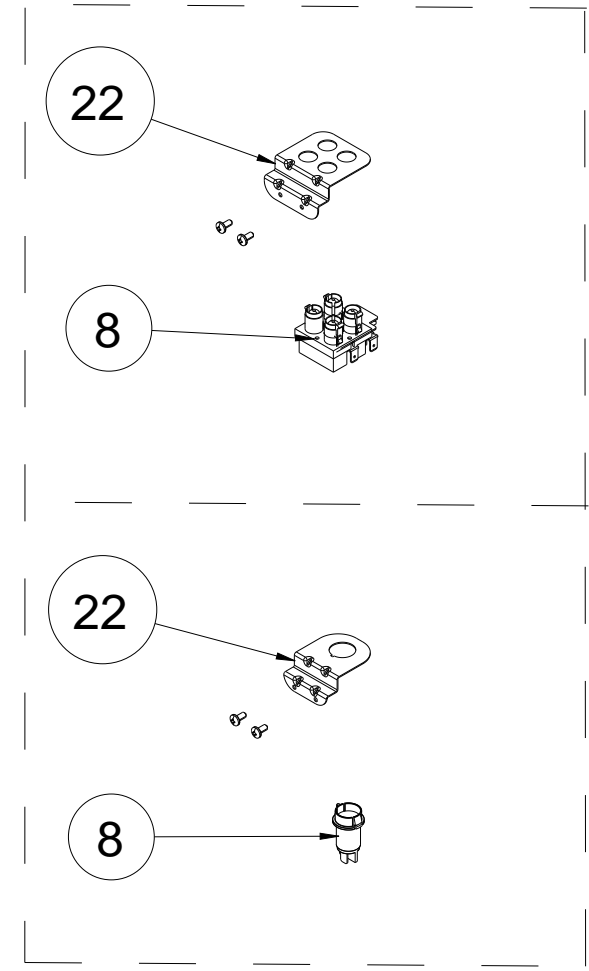
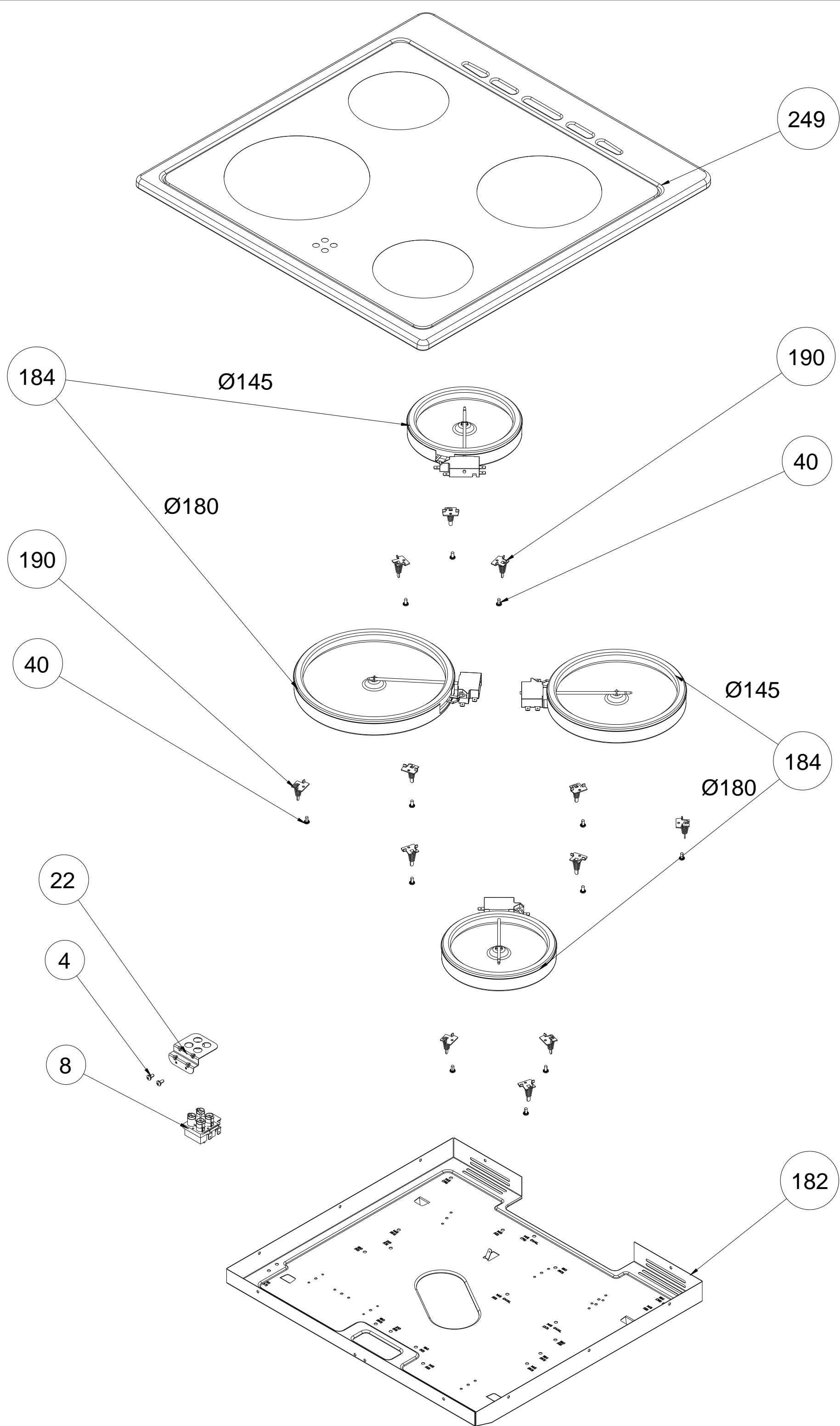


**THIRD GLASS (REMOVABLE) OVEN DOOR VERSION  
(OPTIONAL)**

**TOP / MAIN OVEN DOORS SPARE PART LIST**

<b>POSITION NUMBER</b>	<b>PART NAME</b>
4	SCREW (3.9*9.5)
49	HANDLE ASSEMBLY GROUP (ONLY SOLID TYPE SIDE / FRONT OVEN DOOR)
50	INNER GLASS ASSEMBLY (FLAT TYPE PROFILE AND SOLID TYPE BOTTOM DOOR)
51	INNER LID CONTACT SCREW (TOP / BOTTOM SOLID TYPE)
52	OVEN DOOR HINGE
53	OVEN DOOR HANDLE ASSEMBLY STUD
54	OUTER GLASS ASSEMBLY (FLAT TYPE PROFILE AND SOLID TYPE BOTTOM DOOR)
55	HANDLE BRACKET / BRACKET WITH CAP (LEFT / RIGHT)
56	HANDLE BODY
67	REMOVABLE INNER GLASS SPRING CONTACT SCREW (BOTTOM / TOP PROFILE DOOR)
78	SIDE-OPENING DOOR LOCK (BOTTOM DOOR)
204	HANDLE TAP (LEFT / RIGHT)
211	HANDLE ASSEMBLY GASKET
218	DOUBLE TOP OVEN DOOR HINGE SIDE CONTACT SCREW (TOP DOOR)
220	INTERVAL FRONT PANEL SPRING (OPTIONAL)
228	SO OVEN DOOR BRACKET
230	SO OVEN DOOR BRACKET UPPEP PIN
231	SO OVEN DOOR BRACKET LOWER PIN
237	DO DOUBLE GALZED DOOR METALTRIM
262	REMOVABLE INNER GLASS SPRING (OPTIONAL)
266	SCREW (M4*4T,STAINLESS)
298	MAIN DOOR ASSEMBLY BRACKET (FLAT PROFILE TYPE)
302	HANDLE BRACKET CONTACT SCREW
329	FLAT / GRADUAL WASHER
374	DO SOLID TYPE TOP OVEN DOOR ASSEMBLY (3D-SIDE / FRONT OPEN)
375	DO SOLID TYPE OVEN DOOR ASSEMBLY (FLAT /OBLIQUE-SIDE / FRONT OPEN)
377	DO OVEN DOOR GROUP- (FLAT TYPE SIDE OPEN PROFILE DOOR GROUP)
432	FLAT.PROF.DOOR INTERVAL GLASS (REMOVABLE) (OPTIONAL)
433	WASHER
442	DOUBLE TOP OVEN HINGE DOOR( FLAT PROFILE TOP OVEN DOOR)
443	INNER GLASS ASSEMBLY(FLAT PROFILE TOP OVEN DOOR)
444	OUTER GLASS ASSEMBLY (FLAT PROFILE TOP OVEN DOOR)
445	BUILT-IN DOOR SMALL INTERVAL GLASS (TOP OVEN / PROFILE DOOR) (OPTIONAL)
446	SIDE CLOSING PROFILE (RIGHT /LEFT-FLAT PROFILE TOP OVEN DOOR)
447	DO DOUBLE GLAZED DOOR METAL TRIM
465	TOP OVEN DOOR GROUP

The exploded views given in this document are generic.They include all possible versions of the product. For specific part codes,please refer to the bom list of regarding model.

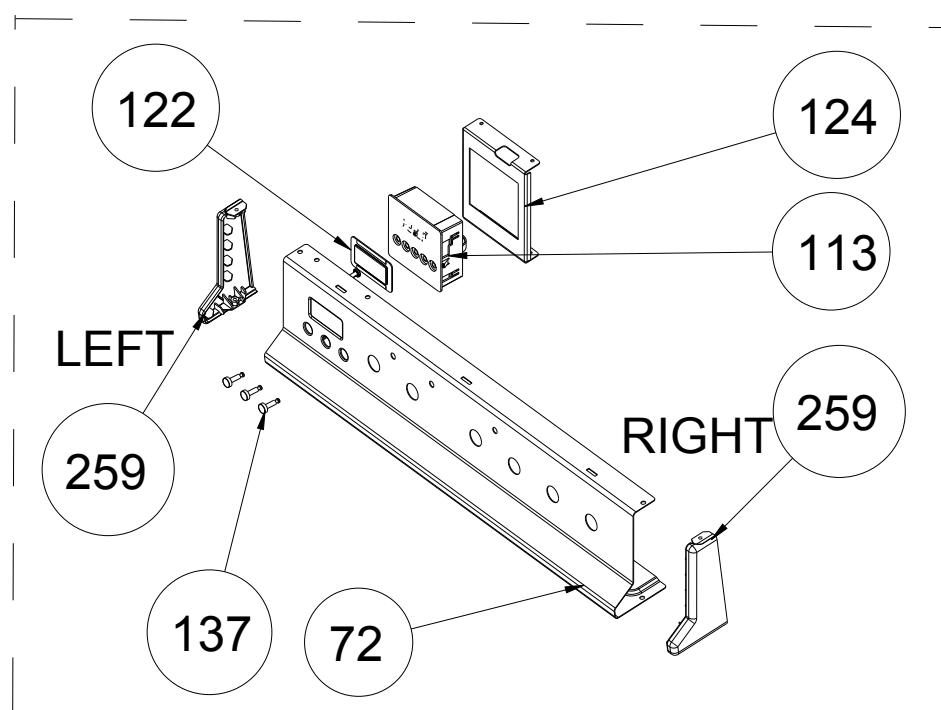
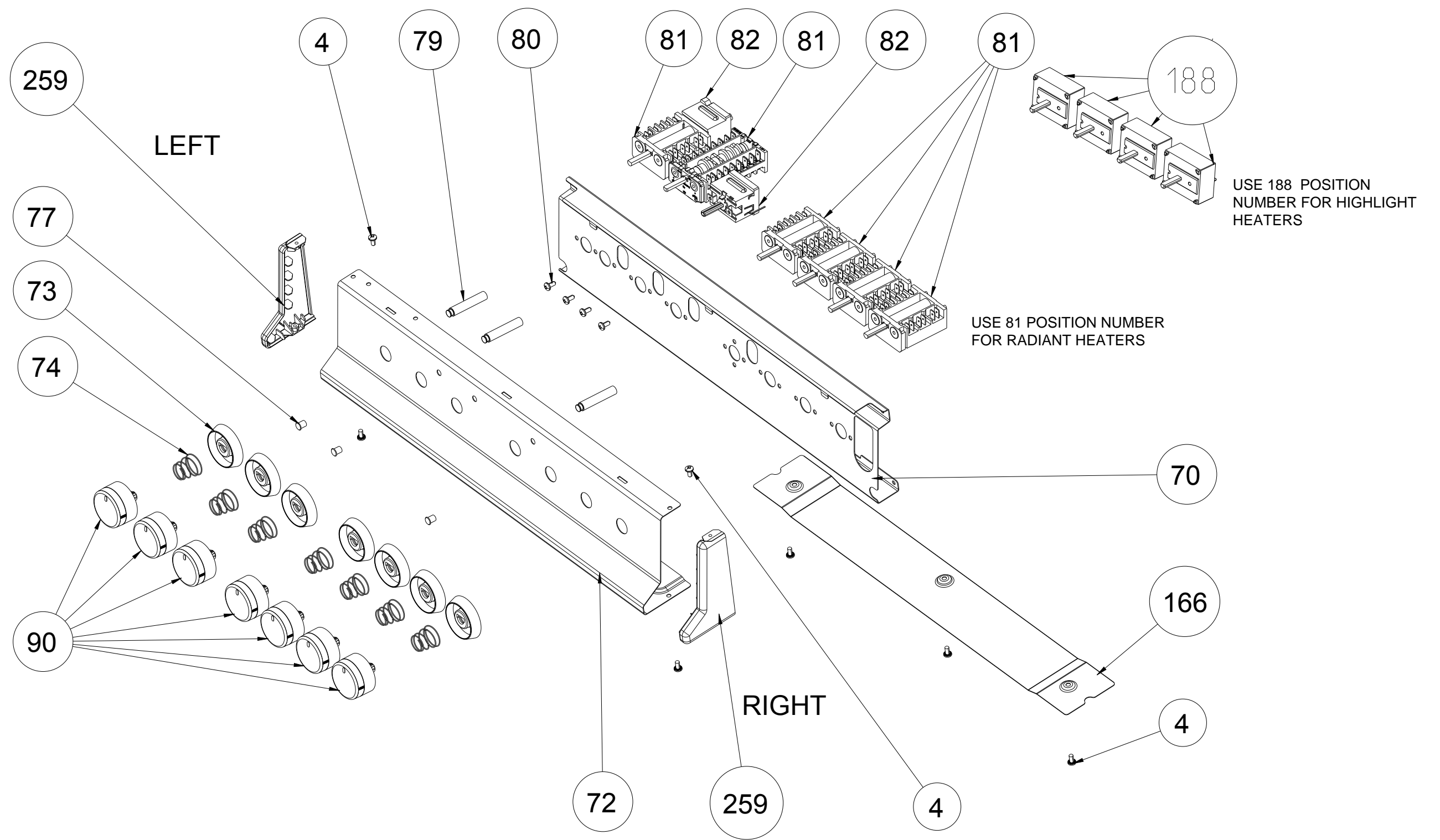


HOT SURFACE INDICATOR LIGHT GROUP (OPTIONAL)

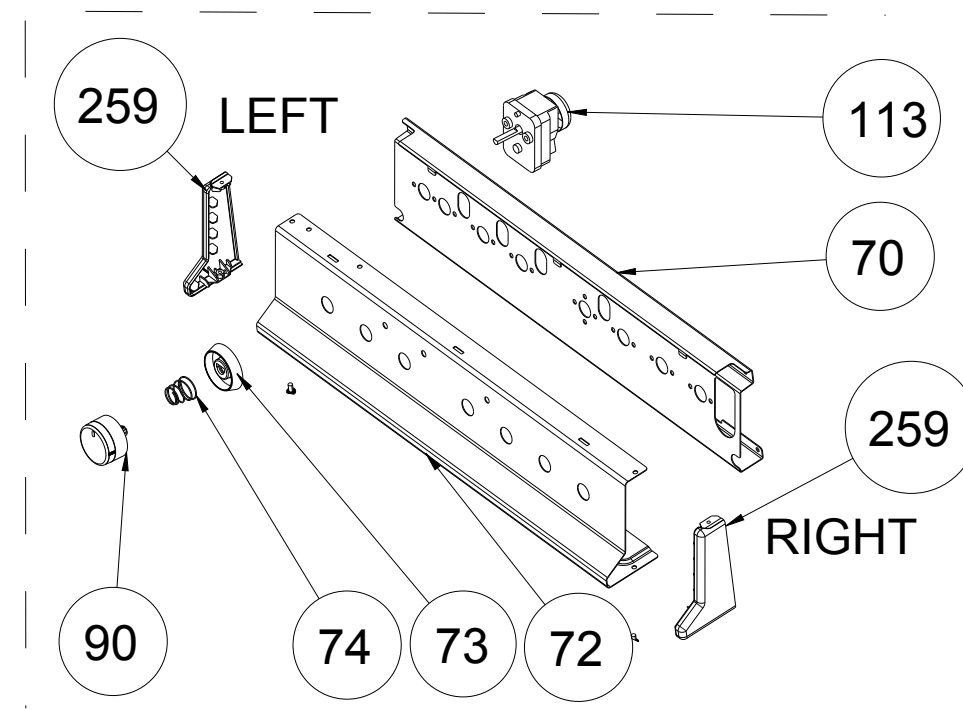
## COOKTOP ASSEMBLY SPARE PARTS

POSITION NUMBER	PART NAME
4	SCREW (3.9*9.5)
8	HOT SURFACE INDICATOR LIGHT
22	HOT SURFACE INDICATOR LIGHT HOLDER
40	HIGHLIGHT HEATING FIXING BRACKET ASSEMBLY CONTACT SCREW
182	VITROCERAMIC HOB BOTTOM COVER
184	HIGHLIGHT HEATING
190	HIGHLIGHT HEATING FIXING BRACKET ASSEMBLY
249	CERAMIC GLASS ASSEMBLY

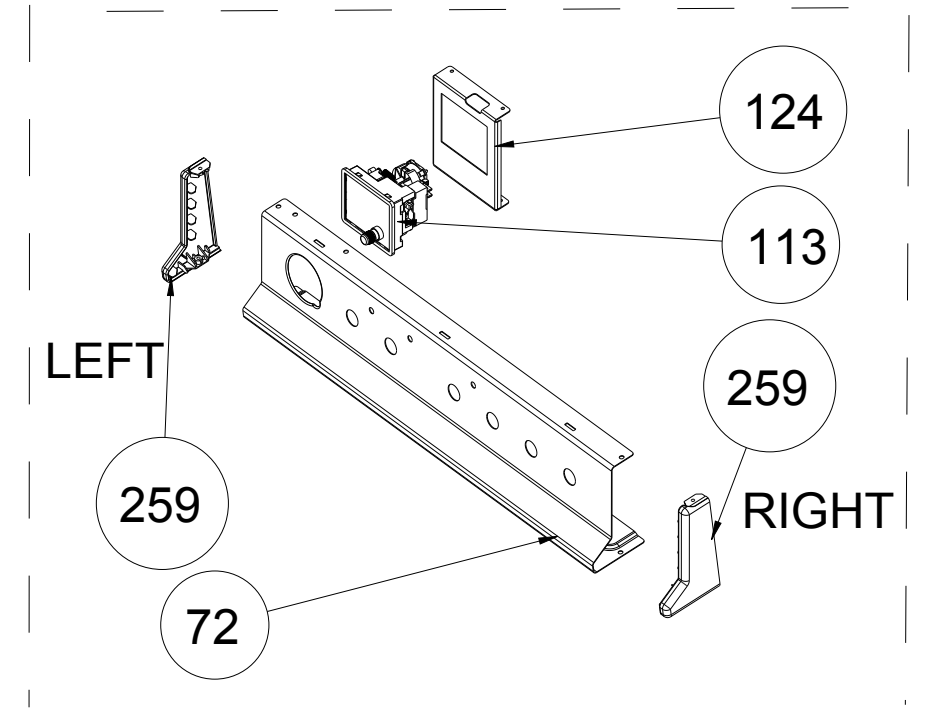
“The exploded views given in this document are generic. They include all possible versions of the product. For specific part codes, please refer to the bom list of regarding model.”



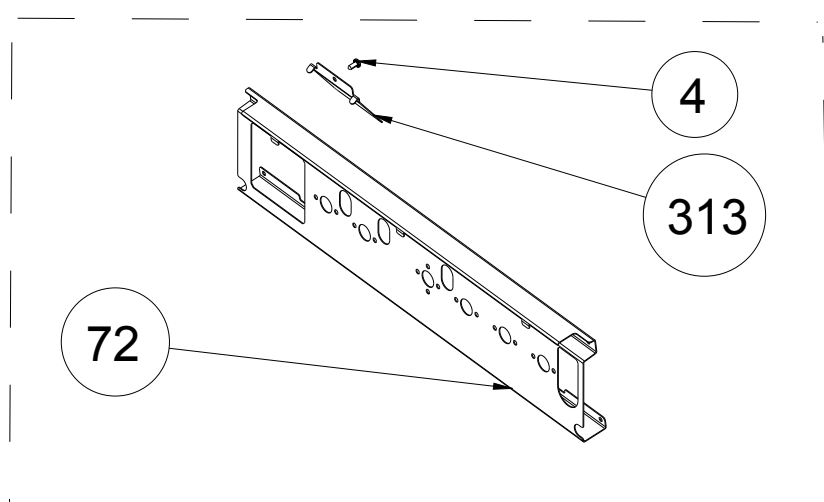
DIGITAL TIMER (OPTIONAL)



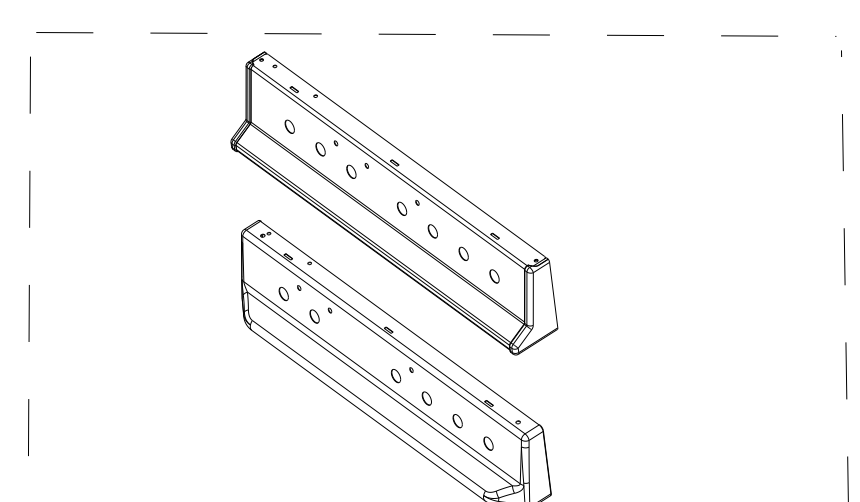
MECHANIC TIMER (OPTIONAL)



ANALOG TIMER (OPTIONAL)



DIGITAL TIMER INSULATION COVER AND INNER PANEL

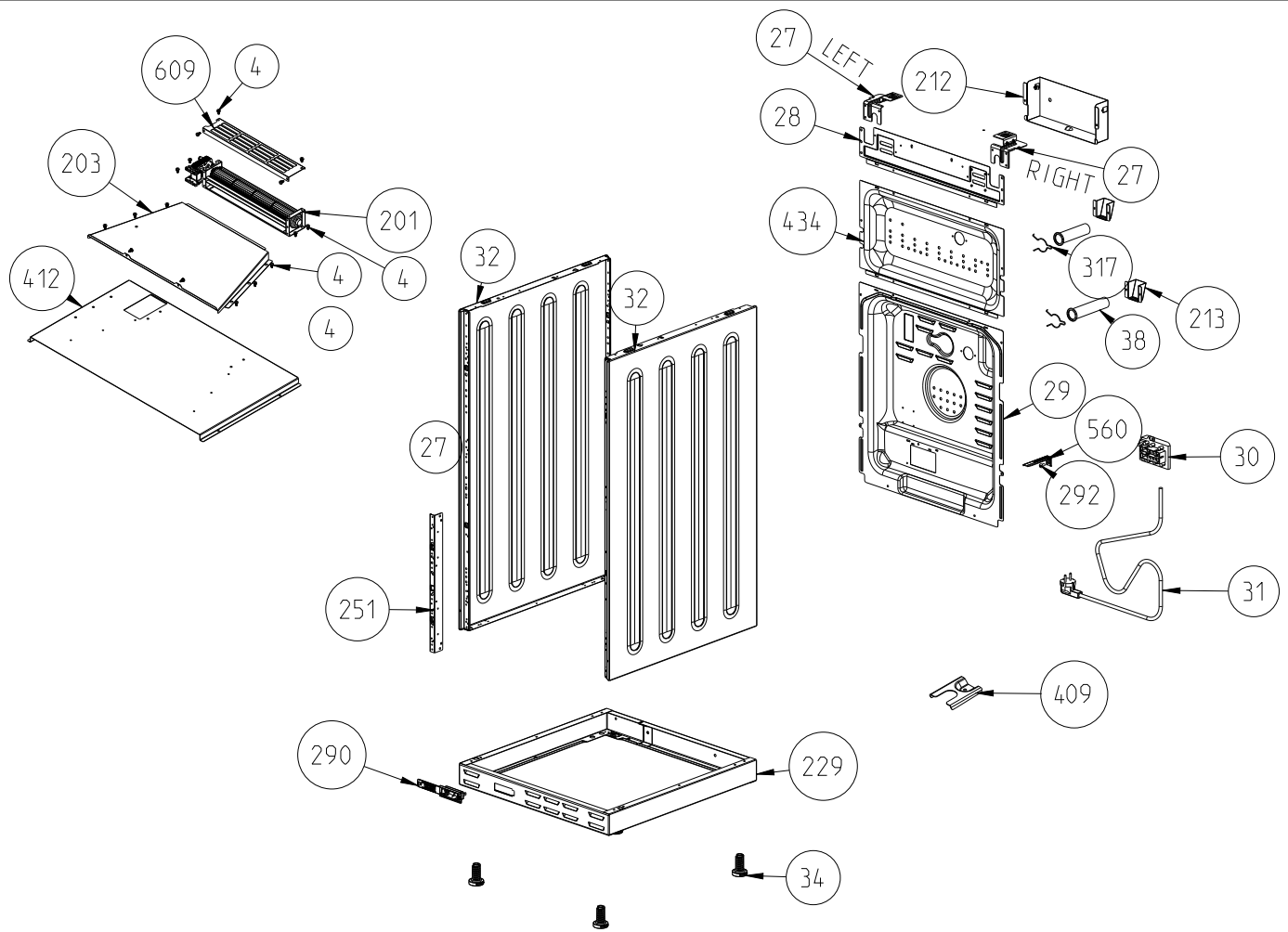


FRONT PANELS (OPTIONAL)

## CONTROL PANEL ASSEMBLY SPARE PARTS

POSITION NUMBER	PART NAME
4	SCREW (3.9*9.5)
70	INNER PANEL
72	FRONT PANEL
73	KNOB RING
74	KNOB SPRING
75	KNOB SEGMENT
77	SIGNAL LAMP LENS
79	SIGNAL LAMP BODY
80	ELECTRICAL KOMPONENT CONTACT SCREW
81	FUNCTION SELECTOR SWITCH / HOTPLATE SWITCH
82	CAPILLARY THERMOSTAT
90	KNOB - ELECTRICAL
113	TIMER (MECHANIC / DIGITAL / ANALOG)
122	TIMER LENS
124	TIMER HOLDER (DIGITAL / ANALOG)
137	TIMER BUTTON
160	IGNITOR BUTTON
166	FRONT PANEL INSULATION COVER (DB.OVEN, RIGHT/LEFT)
188	ENERGY REGULATOR
259	FRONT PANEL SIDE COVER
313	DIGITAL TIMER INSULATION COVER

“The exploded views given in this document are generic. They include all possible versions of the product. For specific part codes, please refer to the bom list of regarding model.”

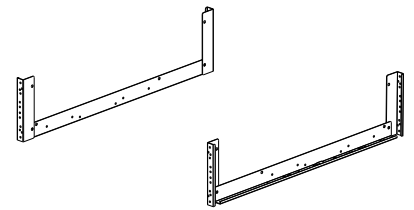


**SIDE PANEL ASSEMBLY EXPLODED VIEW**

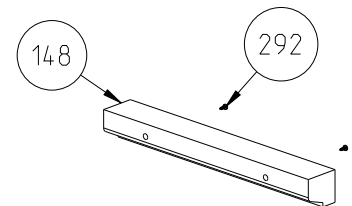
**SIDE PANEL ASSEMBLY SPARE PART LIST**

POSITION NUMBER	PART NAME
4	SCREW (3.9*9.5)
27	COOKTOP ANGLE IRON (LEFT / RIGHT)
28	REAR TOP PANEL
29	REAR PANEL
30	TERMINAL BOX
31	POWER CABLE
32	SIDE PANEL
34	ADJUSTABLE FEET
36	PLINTH
38	TOP / BOTTOM EXHAUST
148	DB.OVEN CONCRETE WEIGHT (ONLY FOR 60*60)
201	COOLING MOTOR
203	COOLING FAN DUCT
212	EXHAUST PROTECTION COVER
213	EXHAUST LID
229	ADDITIONAL BOTTOM SUPPORT
251	SIDE PANEL SUPPORT BRACKET
290	BATTERY BOX
317	EXHAUST FIXING WIRE
412	COOLING FAN BACE
414	REAR TOP PANEL
609	COOLING_FAN_PROTECTION_SHEET

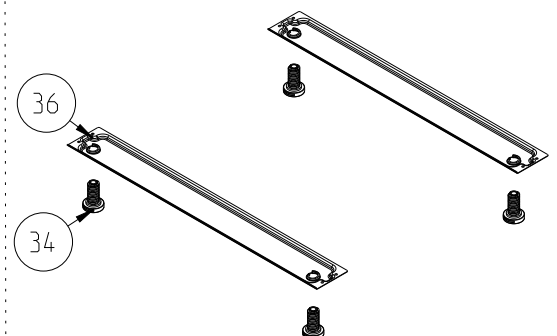
The exploded views given in this document are generic.They include all possible versions of the product.For specific part codes,please refer to the bom list of regarding model.



**SIDE PANEL SUUPORT BRACKET WITH SIDE PANEL (ONLY FOR 85 CM PRODUCT)**

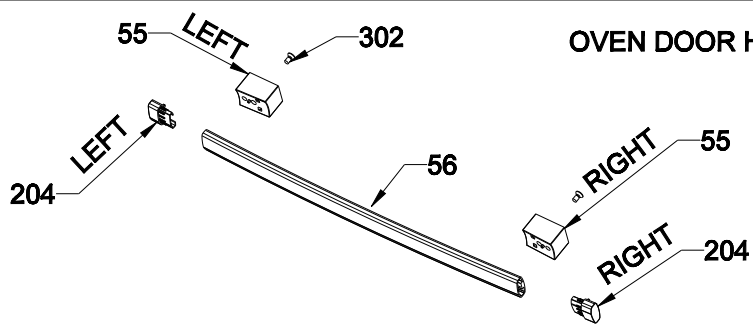


**DB.CONCRETE WEIGHT (ONLY FOR 85 CM 60X60 DB.OVEN VITROCR/ELC/COMBINED)**

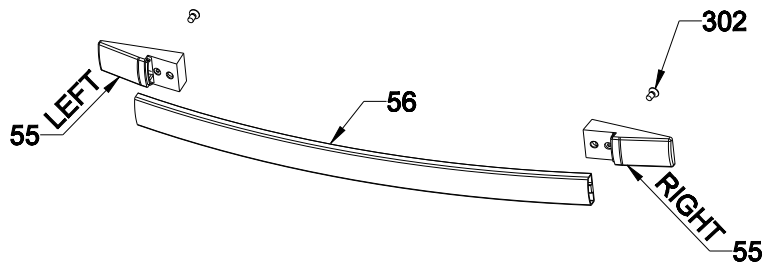


**DB.OVEN PLINTH (ONLY FOR 85 CM 60X60 DB.OVEN VITROCR/ELC/COMBINED)**

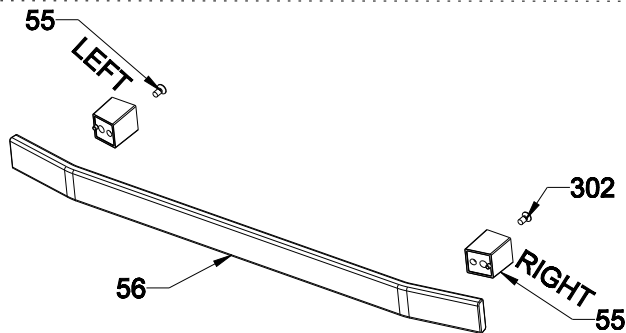
OVEN DOOR HANDLES (OPTIONAL)



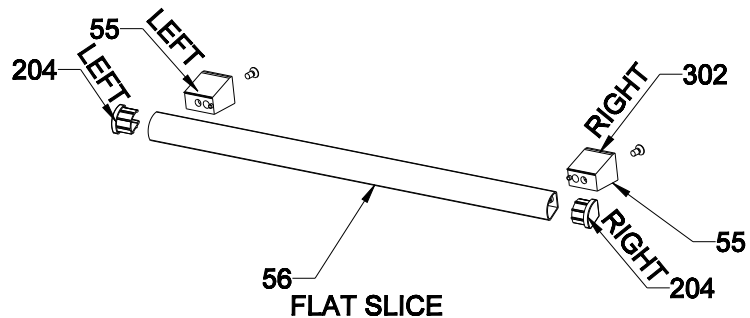
CURVED QUADRANGLE



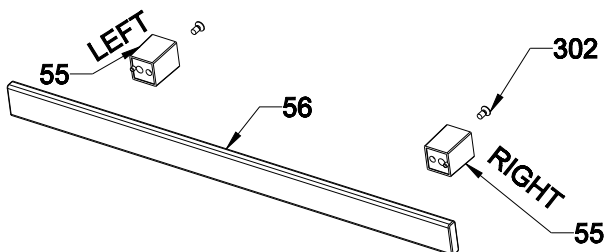
ARC QUADRANGLE



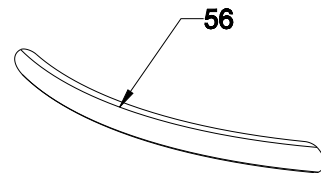
3D QUADRANGLE



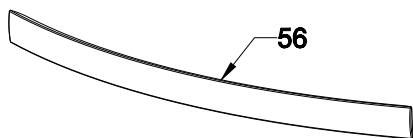
FLAT SLICE



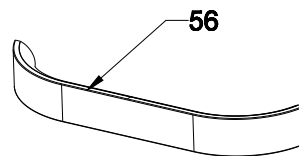
FLAT QUADRANGLE



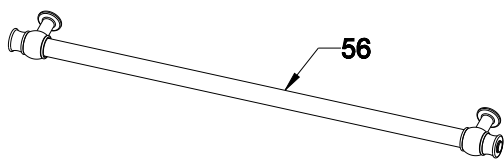
ELLIPSE ARC



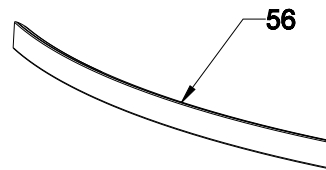
D PROFILE ARC, ELECTROLUX



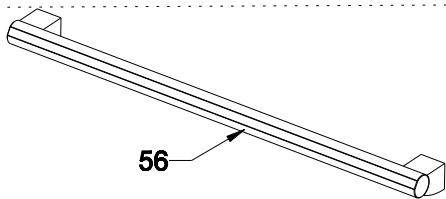
BOW



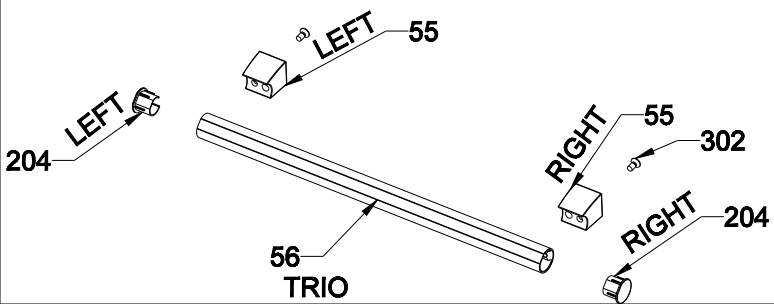
RUSTIK RISUS



D PROFILE ARC

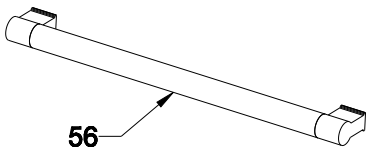


METALUX



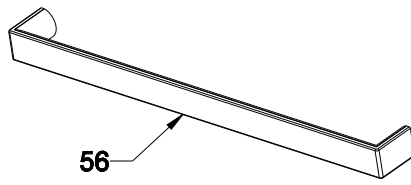
TRIO





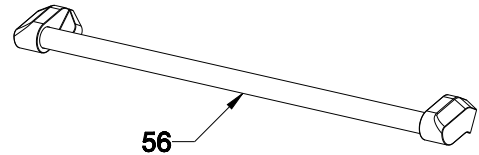
56

TROY



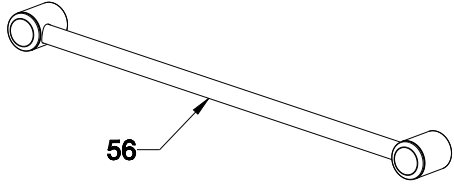
56

VERO



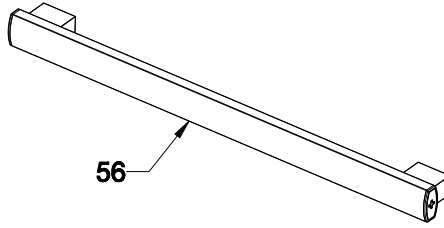
56

AGA CLASSIC ONLY



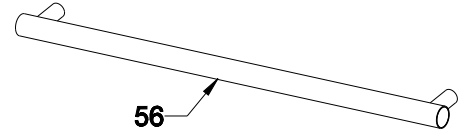
56

AGA KITCHENER ONLY



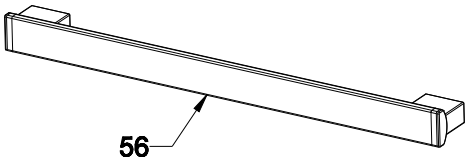
56

AGA PROFESSIONAL ONLY



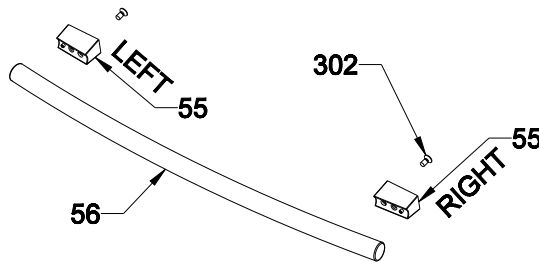
56

CYLINDER



56

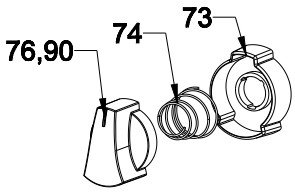
JUNO VESTEL ONLY



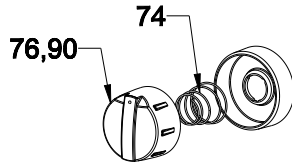
56

ARC TUBE

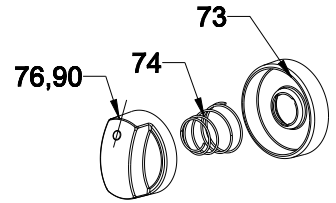
**KNOBS (DOUBLE OVEN ONLY - OPTIONAL )**



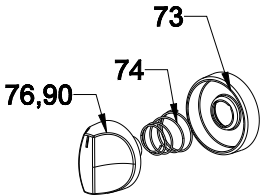
**DELTA RING**



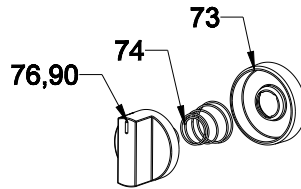
**ANTERO**



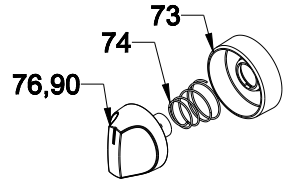
**ECLIPSE RING**



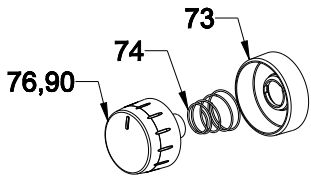
**GAMA RING**



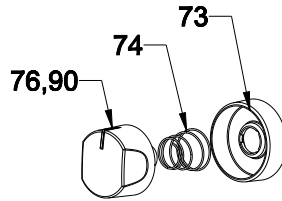
**NORD RING**



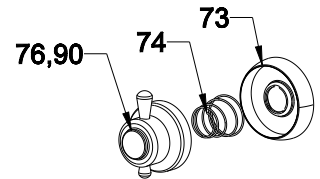
**PELGIRIM**



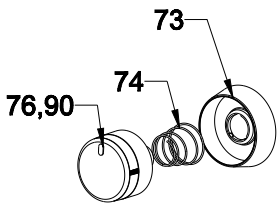
**OMEGA**



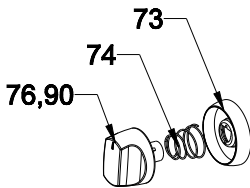
**RIMO RING**



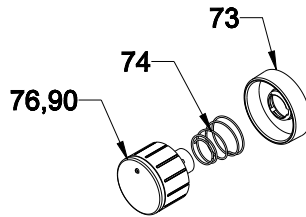
**RUSTIK RISUS RING**



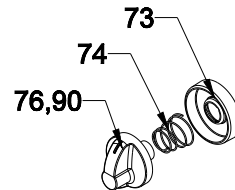
**SIGMA**



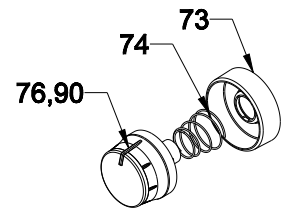
**TRIO**



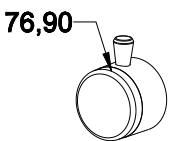
**SMALL MACRO RING**



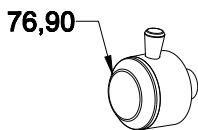
**VARIO RING**



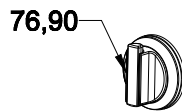
**SPEKTRUM**



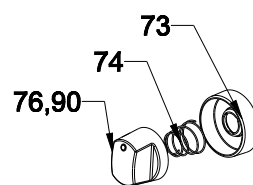
**AGA CLASSIC ONLY**



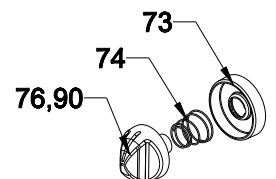
**AGA KITCHENER ONLY**



**AGA PROFESSIONAL ONLY**



**VESTA**



**ZETA RING**