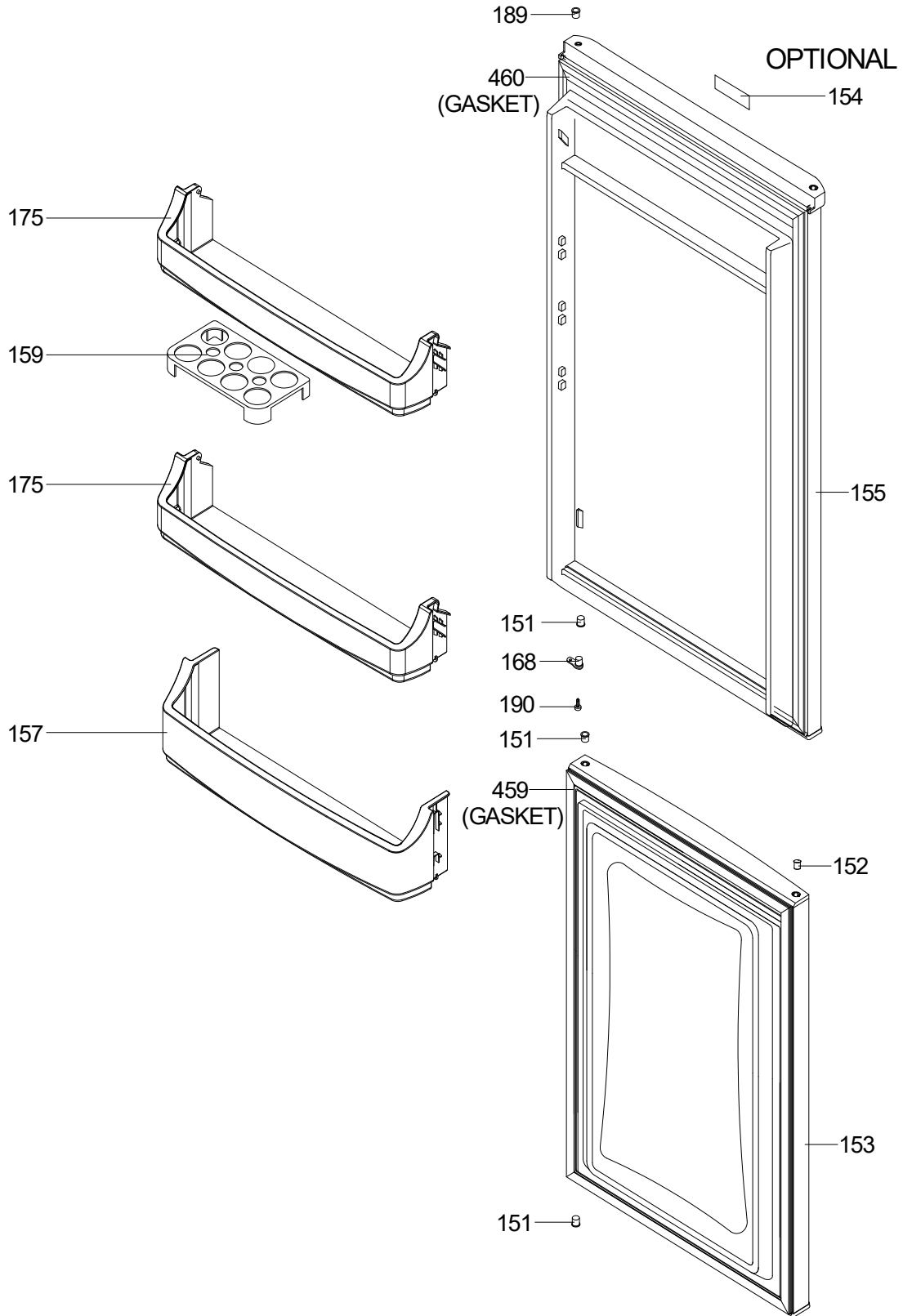


VESTEL WHITE GOODS	VESTEL COMBI - 236	CUSTOMER SUPPORT
	INTERIOR PARTS LIST	

POSITION NUMBER	PART NAME
2	TOP HINGE MEC /2451
7	SCREW M5*14 YSB-F
9	MIDDLE HINGE/260
13	DOOR SWITCH
14	TUNNEL DRAIN PLUG
15	BOTTOM HINGE
16	ADJUSTABLE FOOT M8X35
17	ICE SCRAPER
18	ICE TRAY
19B	F GLASS BOTTOM SHELF
21	LAMP THERM. BOX GR
22	LED LAMP
23	LAMP HOLDER E-14
27	TERMOSTAT
28	LAMP COVER/140
29	THERM.KNOB
35	CABLE GR/THERM
37	R COMPARTMENT GLASS SHELF
38A	R.GLASS SHELF TRIM
38B	R.GLASS SHELF BACK TRIM
39	CRISPER COVER SHELF
40	TOP CRISPER COVER TRIM
41	R.CRISPER GR.
46	ROCKER SWITCH <i>(OPTIONAL)</i>
47	ROCKER SWITCH COVER <i>(OPTIONAL)</i>
89A	HINGE COVER 2451
89B	HINGE COVER CAP 2451
92	TOP BASK.GR
93	BOTTOM BASK.GR

MARCH 2019



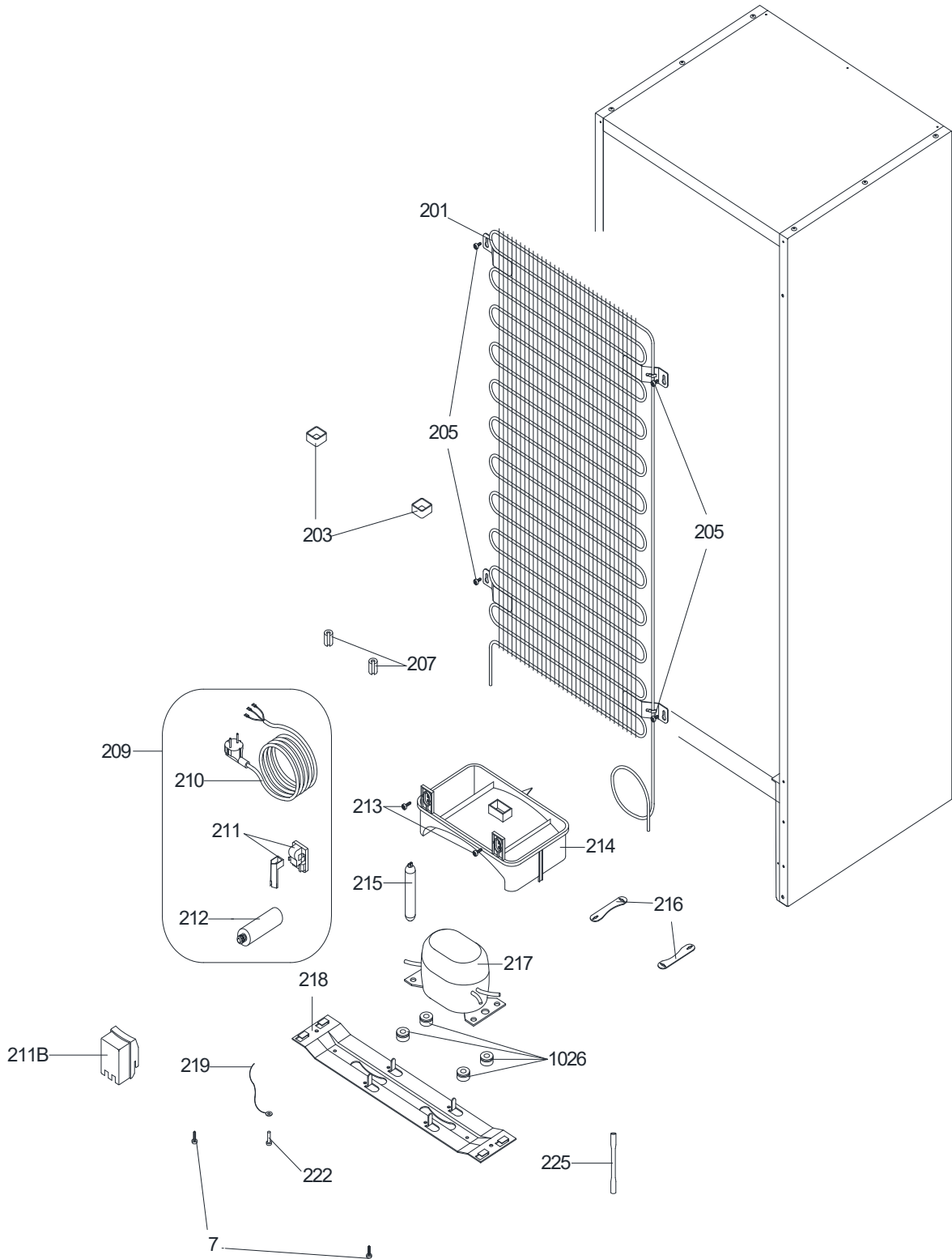
VESTEL WHITE GOODS	VESTEL COMBI - 236	CUSTOMER SUPPORT
	DOOR ASSY. PARTS LIST	

POSITION NUMBER	PART NAME
151	BUSHING/345P
153	F DOOR ASSY/236-FLN
154	LOGO
155	R DOOR ASSY/236-FLN
157	BOTTLE SHELF
159	EGG HOLDER
168	STOPPER COMBI
175	CHEESE BUTTER SHELF
189	BUSHING/540CE
190	SCREW 35*12 YSB-R-C
459	B DOOR GASKET
460	T DOOR GASKET

ABBREVIATIONS :

ASSY : ASSEMBLY
 R : REFRIGERATOR
 F : FREEZER

MARCH 2019



VESTEL WHITE GOODS	VESTEL COMBI - 236	CUSTOMER SUPPORT
	UNIT PARTS LIST	

POSITION NUMBER	PART NAME
7	SCREW M5*14 YSB-F
201	MAIN CONDENSER
203	SPACER
205	SCREW ST 4.8*13 YSB-T-C
207	ANTIVIBRATION (CONDANSER)
209	POWER CORD GR.
210	POWER CORD
211	OVER LOAD RELAY
211B	COMP.COVER
212	CAPACITOR
213	SCREW 4.2*9.5 YSB-C
214	EVAPORATING TRAY
215	DRYER
216	COMP FIXING BRACKET
217	COMPRESSOR
218	COMP BASEMENT/140
219	GROUNDLY WIRE/PGYB
222	SCREW M4*16 AKB-F
225	SERVICE TUBE
1026	COMPRESSOR RUBBER

MARCH 2019