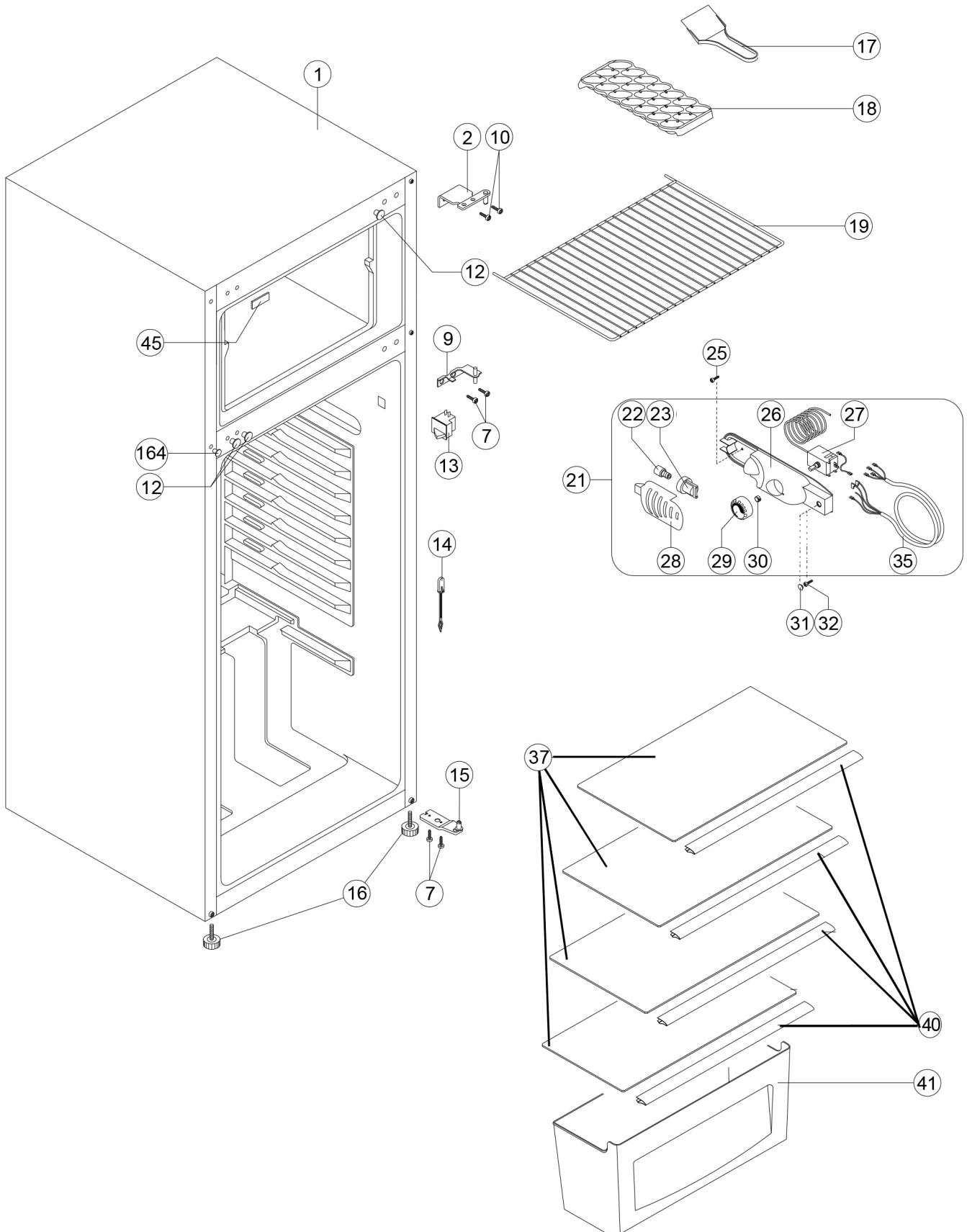


# DOUBLE DOOR - 263

CUSTOMER  
SUPPORT

## INTERIOR PARTS



SEPTEMBER 2017

**DOUBLE DOOR - 263****CUSTOMER  
SUPPORT****INTERIOR PARTS LIST**

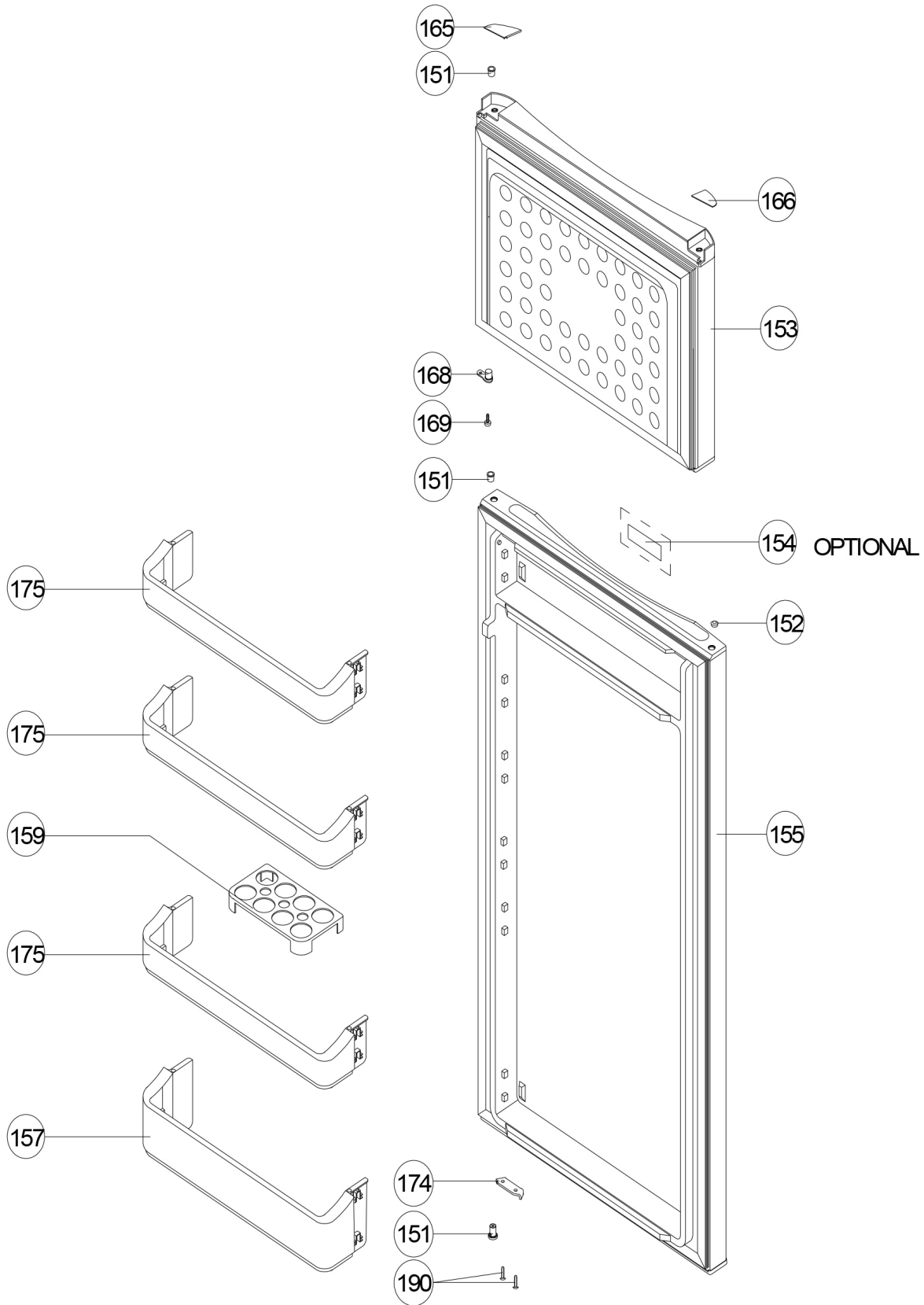
<b>POSITION NUMBER</b>	<b>PART NAME</b>
2	TOP HINGE/345
7	SCREW TT M5x14 YSB-F
8	SCREW ST 4.2*13 YHB-C
9	MIDDLE HINGE/260
12	MIDDLE HINGE SCREW CAP (BIG)
13	DOOR SWITCH
14	TUNNEL DRAIN PLUG
15	BOTTOM HINGE/140
16	STATIONARY FOOT
17	ICE SCRAPER ( <i>OPTIONAL</i> )
18	ICE TRAY ( <i>OPTIONAL</i> )
19	F COMPARTMENT SHELF/2601
21	THERMOSTAT BOX ASSY/260 (WITH SWITCH)
22	LAMP (E14/220-240V/15W)
23	LAMP HOLDER-E14
25	SCREW KA 40*13 YSB-R-C-INOX
26	THERMOSTAT BOX/140 (SWITCH)
27	THERMOSTAT
28	LAMP COVER/140
29	THERMOSTAT KNOB SRGF/260 (NUMBER)
30	THERMOSTAT KNOB SPRING
31	THERMOSTAT BOX SCREW CAP/140
32	SCREW KA 40*18 YSB-C-INOX
35	WIRING HARNESS/THERMOSTAT/260
37	R COMPARTMENT SHELF/263
40	CRISPER COVER TRIM/140
41	CRISPER
45	TOP HINGE SREW CAP
164	DOOR HANDLE SCREW CAP

**SEPTEMBER 2017**

**DOUBLE DOOR - 263**

**CUSTOMER  
SUPPORT**

**DOOR ASSY. PARTS**



**SEPTEMBER 2017**

	<b>DOUBLE DOOR - 263</b>	<b>CUSTOMER SUPPORT</b>
	<b>DOOR ASSY. PARTS LIST</b>	

POSITION NUMBER	PART NAME
151	BUSHING/345P
152	BUSHING CAP
153	F DOOR ASSY/263AGE
154	LOGO <i>(OPTIONAL)</i>
155	R DOOR ASSY/263AGE
157	BOTTLE SHELF
159	EGG HOLDER
165	F DOOR PANEL RIGHT CAP/260WH
166	F DOOR PANEL LEFT CAP/260WH
168	STOPPER
174	R/D BOTTOM STOPPER/140CE
175	CHEESE/BUTTER SHELF
190	SCREW 35*12 YSB-R-C

**ABBREVIATIONS :**

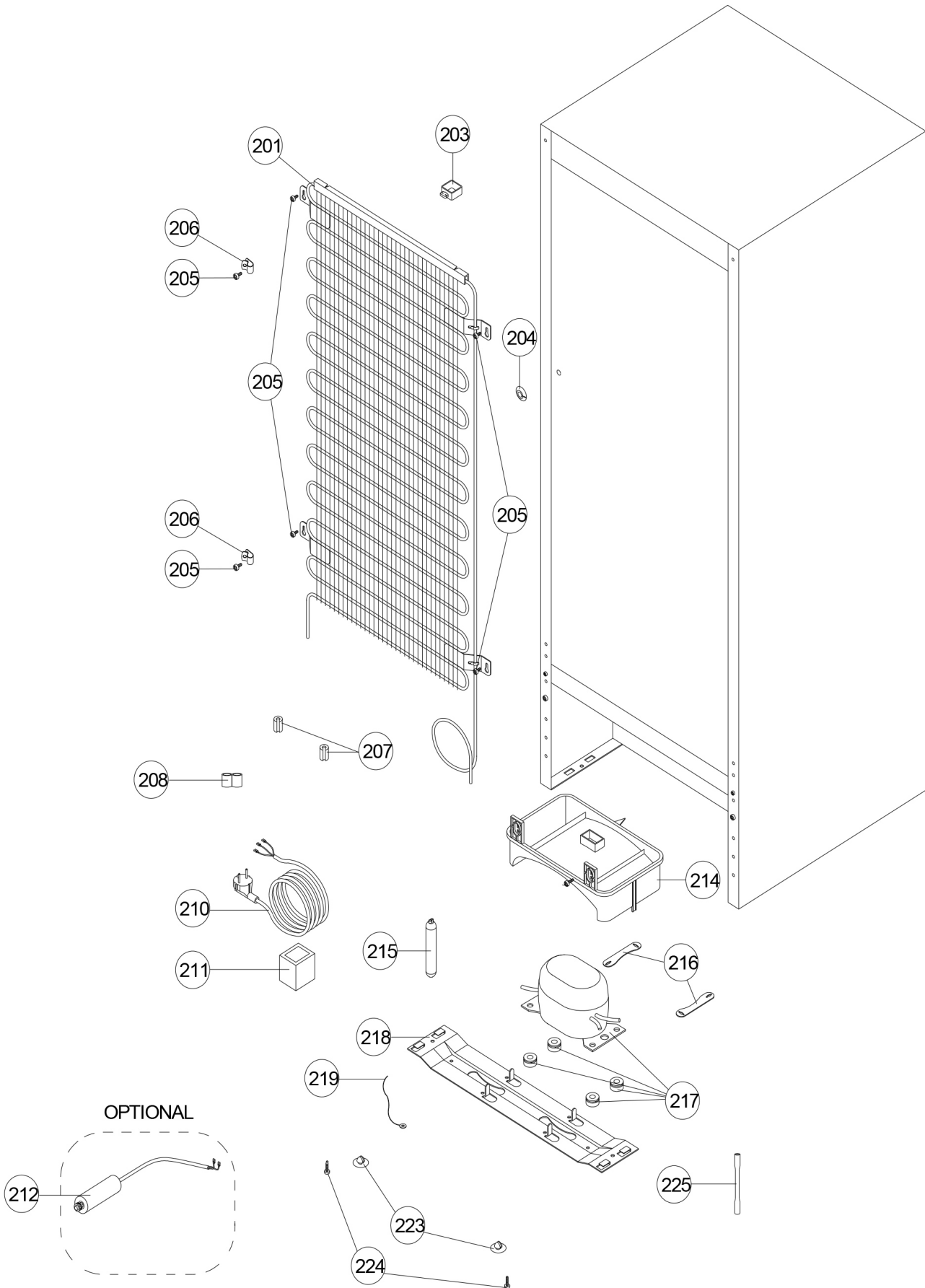
ASSY : ASSEMBLY  
R : REFRIGERATOR  
F : FREEZER

**SEPTEMBER 2017**

# DOUBLE DOOR - 263

CUSTOMER  
SUPPORT

## UNIT PARTS



SEPTEMBER 2017

**DOUBLE DOOR - 263****CUSTOMER  
SUPPORT****UNIT PARTS LIST**

<b>POSITION NUMBER</b>	<b>PART NAME</b>
201	MAIN CONDENSER
203	SPACER
204	PLUG,CABLE HARNESS
205	SCREW ST 4.8*13 YSB-T-C
206	CABLE HOLDER / 140
207	ANTIVIBRATION (CONDENSER)
208	CONDENSER HOLDER (2)
210	POWER CORD
211	OVER LOAD RELAY
212	CAPACITOR ( <b>OPTIONAL</b> )
214	EVAPORATING TRAY
215	DRYER (XH9,7.5GR)
216	COMPR. FIXING BRACKET
217	COMPRESSOR
218	COMPR. BASEMENT/140
219	GROUNDING WIRE
223	COMPR. BASEMENT FOOT/140
224	SCREW KA 50*14 YSB-F
225	SERVICE TUBE

**SEPTEMBER 2017**