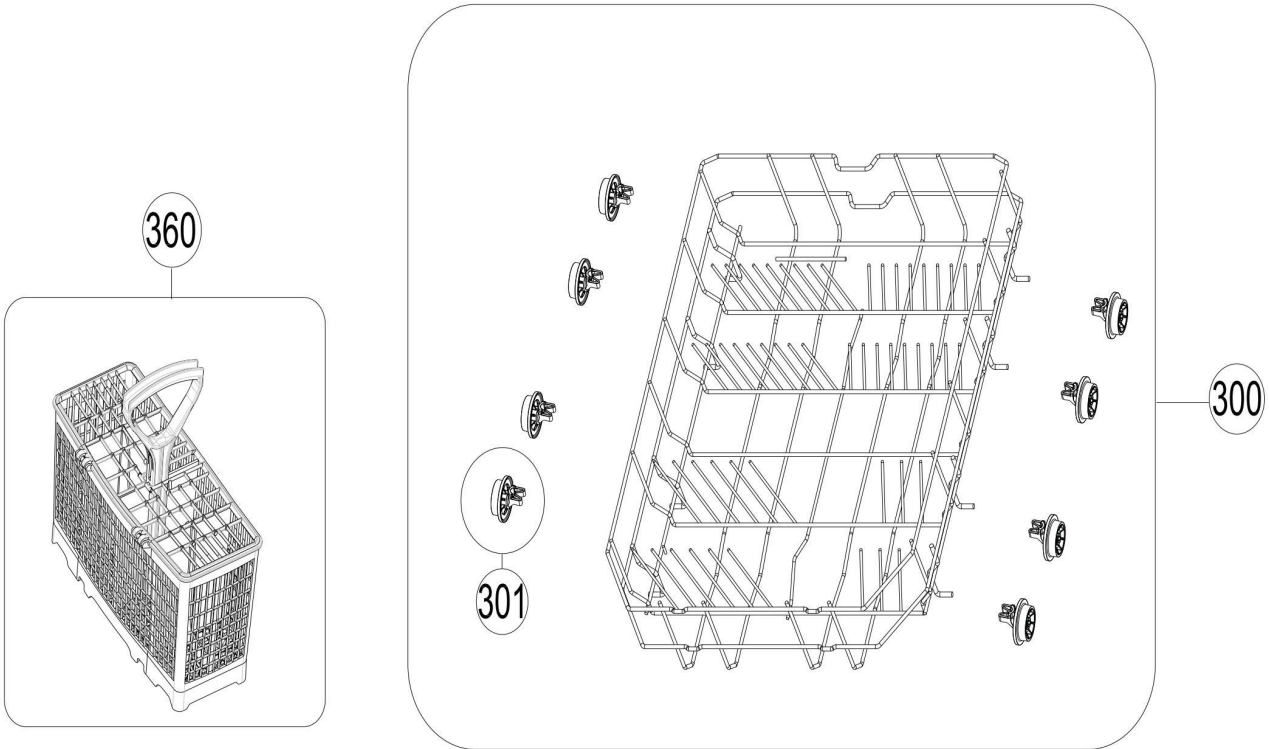
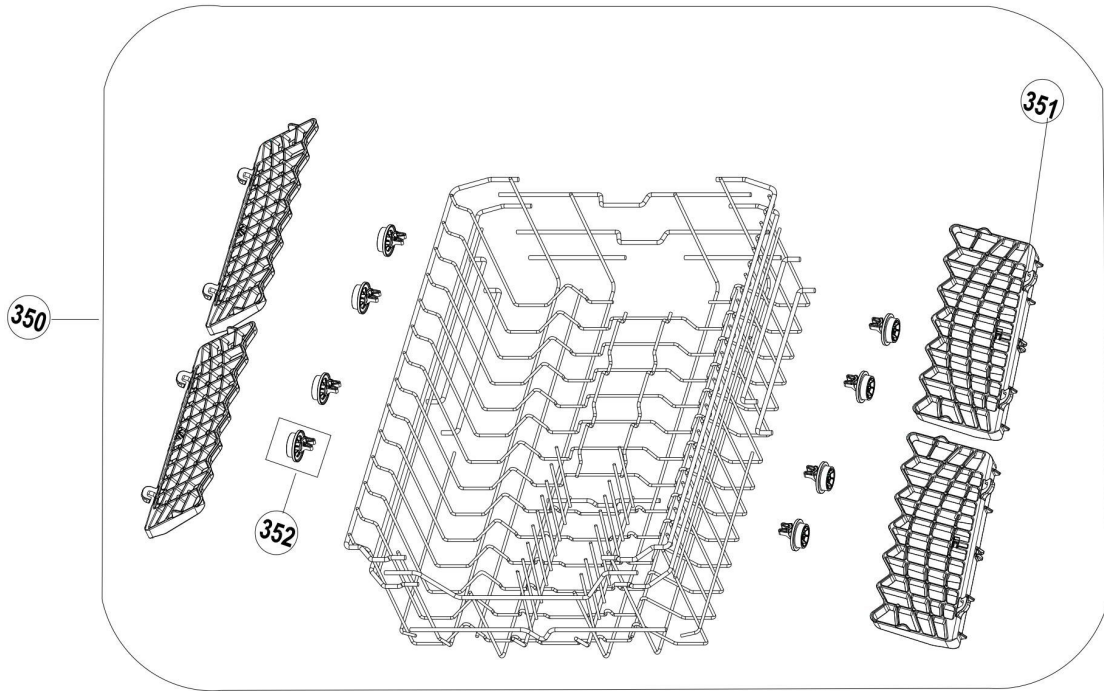


	VESTEL DISWASHER MACH .	CUSTOMER SUPPORT
	LOWER BASKET GROUP	



NO	PART NAME
300	LOWER BASKET GROUP (45)
301	LOWER BASKET WHEEL GROUP/45
360	UNIVERSAL BASKET GR-7046

	VESTEL DISWASHER MACH .	CUSTOMER SUPPORT
	UPPER BASKET GROUP	

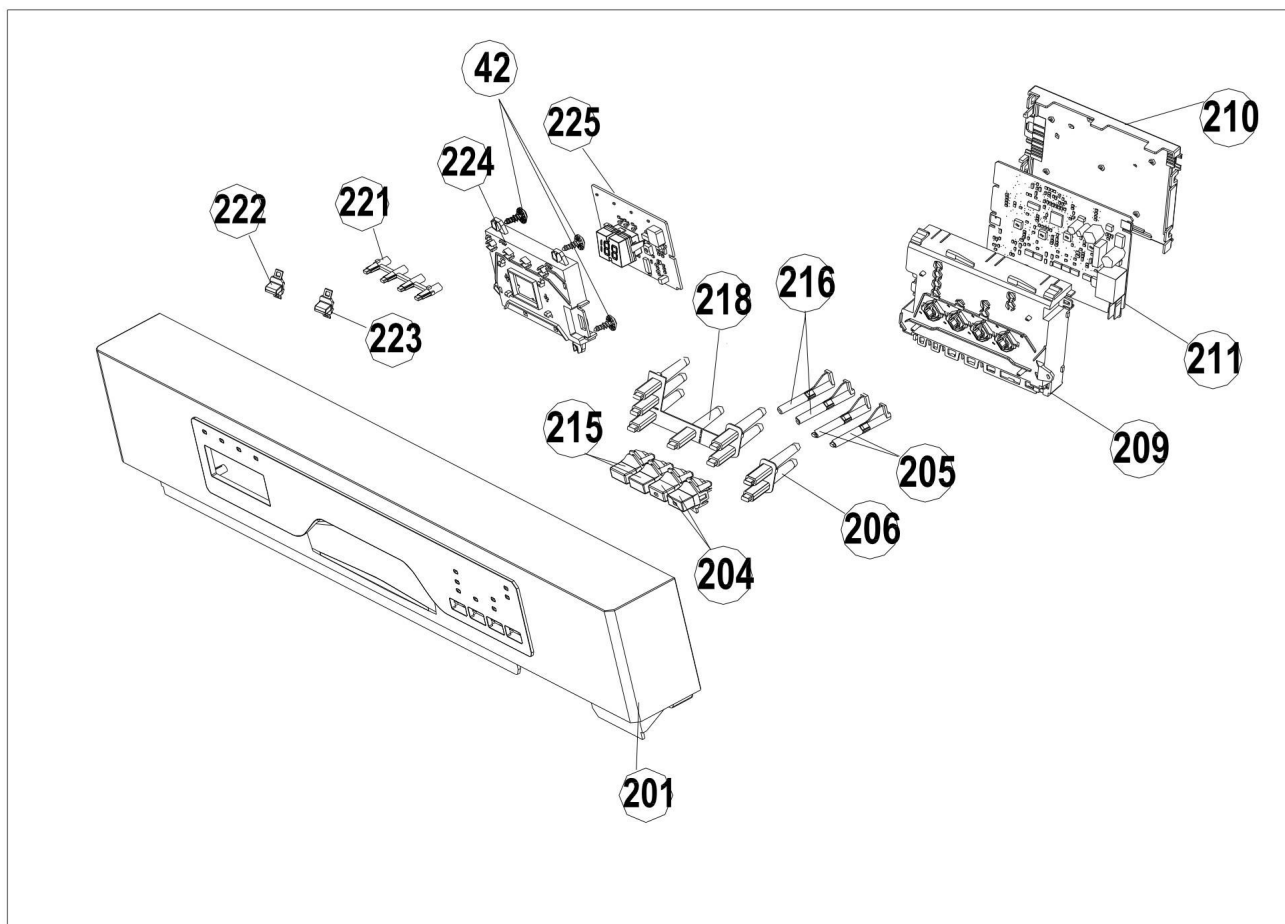


NO	PART NAME
350	UPPER BASKET (45)GROUP-42 (351 – 352 –)
351	MUG SHELVE/45
352	UPPER BASKET WHEEL GROUP

VESTEL DISWASHER MACH .

CONTROL PANEL GROUP

CUSTOMER
SUPPORT



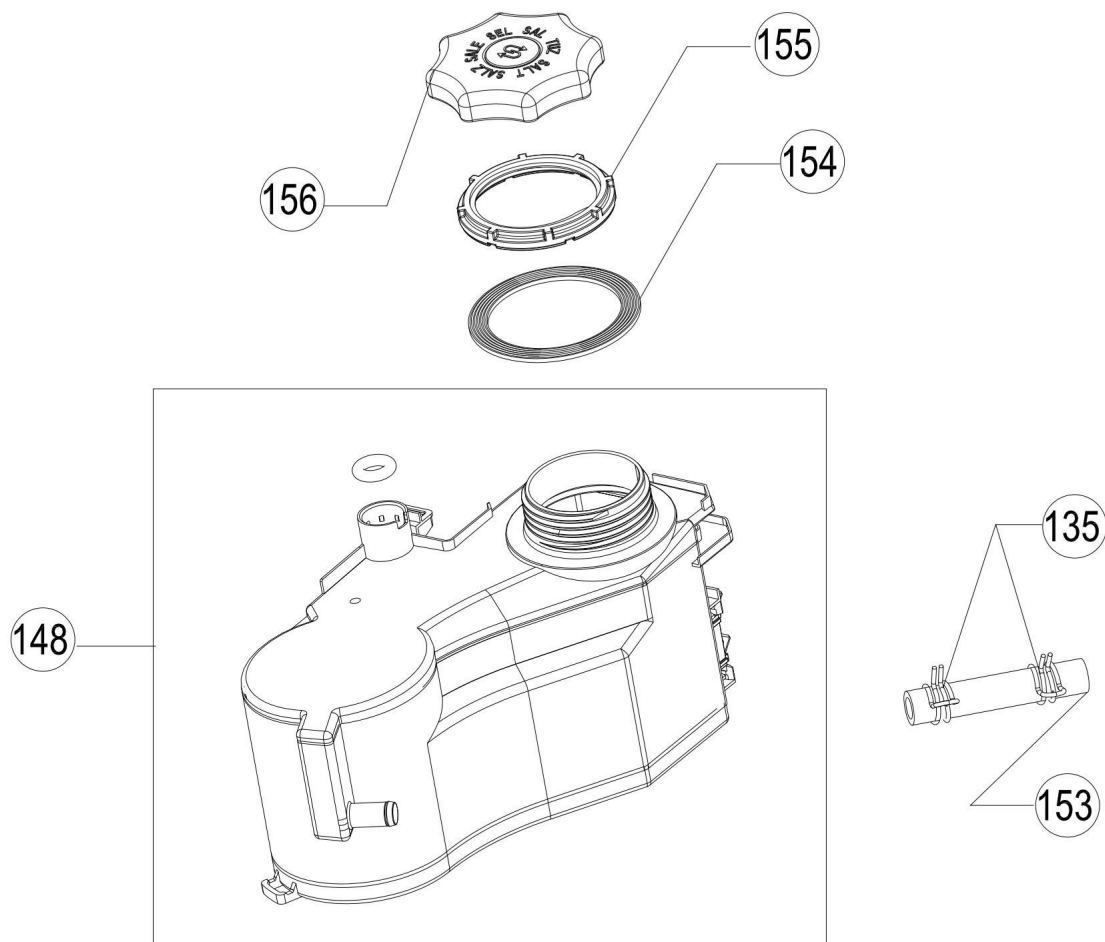
NO	PART NAME
200	CON.PAN.GROUP (201-204-205-206-209-210-215-216-218-42)
201	CON.PAN.PRINTED
204	ELECTRONIC BUTTON-1
205	ELECTRONIC BUTTON SHAFT-1
215	ELECTRONIC BUTTON-2
216	ELEC. BUTTON SHAFT-2
209	PCB BOX-1 BODY
210	PCB BOX-1 REAR COVER
211	ELECTRONIC CARD C11
42	SCREW PT3,5X9YSB YSB
206	LIGHTGUIDE-1
218	LIGHTGUIDE-2
222	DISPLAY BUTTON-LEFT
223	DISPLAY BUTTON-RIGHT

MAY 2018

VESTEL DISWASHER MACH .

WATER SOFTENER GROUP

CUSTOMER
SUPPORT



NO	PART NAME
148	WATER SOFTENER GR WITH REED RELAY/45
135	CLAMP Dmax16,8x8,4
153	HOSE D10,5*3*86,6
154	WATER SOFTENER NUT GASKET
155	WATER SOFTENER NUT RAL-7046
156	SALT CAP GR(MAGNETIC)RAL-7046

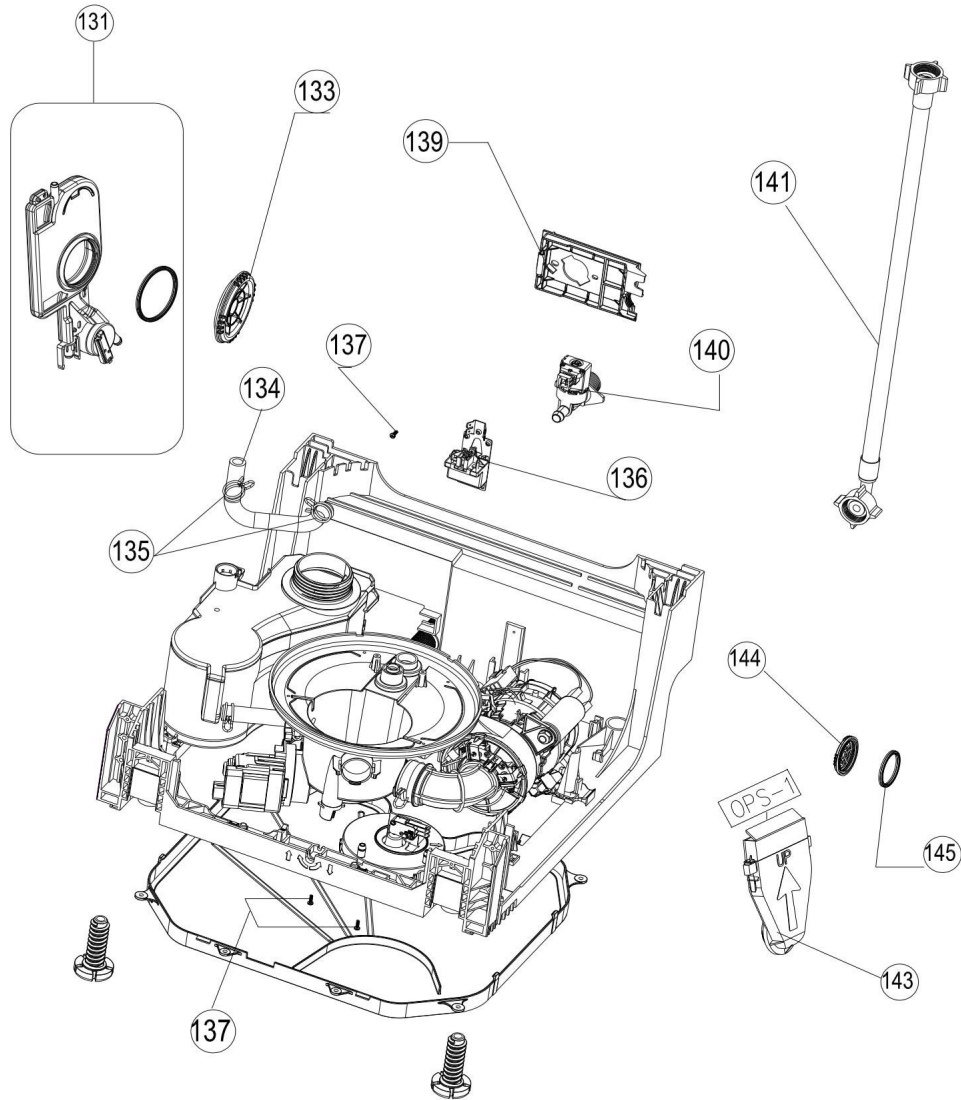
MAY 2018

NO	PART NAME
100	UPPER SPRAYARM FEEDING CAN-C-1 GR/PROPEL (101-129)
101	UPPER SPRAYARM FEEDING CAN-C-1
103	UPPER SPRAY ARM SUPPORT GR-RAL 7046 (104-105-107)
104	UPPER SPRAY ARM ADAPTER COVER-RAL 7046
105	UPPER SPRAY ARM ADAPTER GASKET
107	UPPER SPRAY ARM SUPPORT-RAL 7046
108	UPPER SPRAY ARM GR-RAL 7046 (113-112-111-109)
109	UPPER SPRAY ARM NUT PLS D28XT1,2
111	UPPER SPRAY ARM NUT-RAL 7046
112	UPPER SPRAY ARM SHAFT-RAL 7046
113	UPPER SPRAY ARM-RAL 7046
114	LOWER SPRAY ARM-RAL 7046
115	MICROFILTER GR-SHEET/RAL 7046 (116-117)
116	COURSE FILTER-RAL 7046
117	MICROFILTER-SHEET/RAL 7046
118	SCREW PT4X12 YSB INOX
120	CLAMP Dmax36,4X14
121	CLAMP Dmax41X14,8
651	HOSE D28,5*3*38,5(MOT-ECO)/45/FT
123	KLAPE
124	HOSE HANDCUFFS D30
125	DRAIN HOSE 200 CM
126a	SUMP GR (126-197-175-153-44-152-123-76)
126	SUMP GR
127	SUMP SEAL
128	SPRAY ARM SUPPORT
129	TOP NOZZLE
44	SCREW PT4X12YSB

VESTEL DISWASHER MACH .

UPPER HDYROLIC GROUP

CUSTOMER
SUPPORT



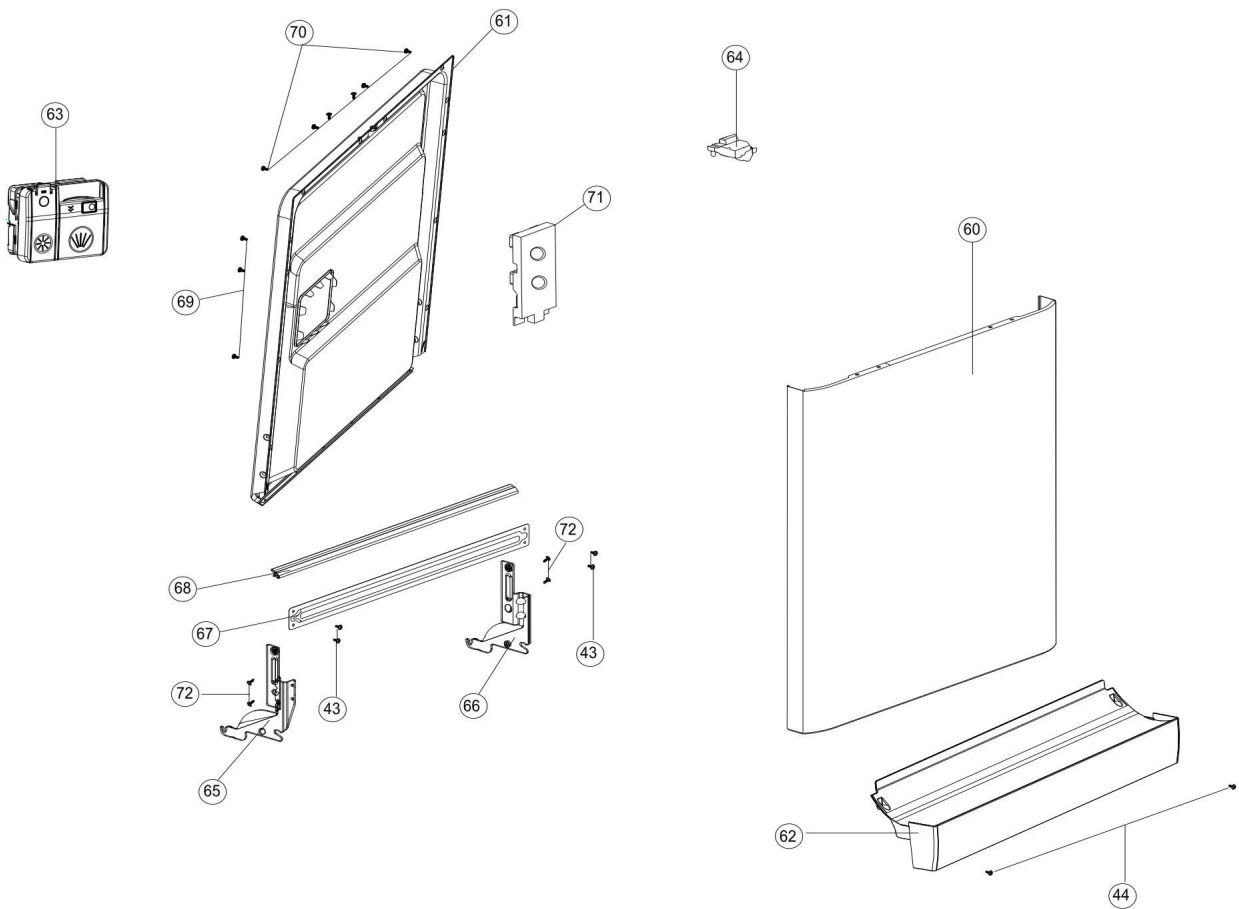
NO	PART NAME
131	AIR BREAK GR/45
133	AIR BREAK NUT
134	HOSE PVC/WITH CORD/45
135	CLAMP Dmax16,8x8,4
136	PARASITE FILTE
137	SCREW PT3*9 YSB
139	BASEMENT HOSE .CON.PLS.
140	WATER INLET VALVE
141	WATER INLET HOSE GROUP
143	STEAM CONDERSER
144	STEAM CONDERSER NUT
145	STEAM CONDERSER SEALING GASKET

MAY 2018

VESTEL DISWASHER MACH .

DOOR GROUP

**CUSTOMER
SUPPORT**

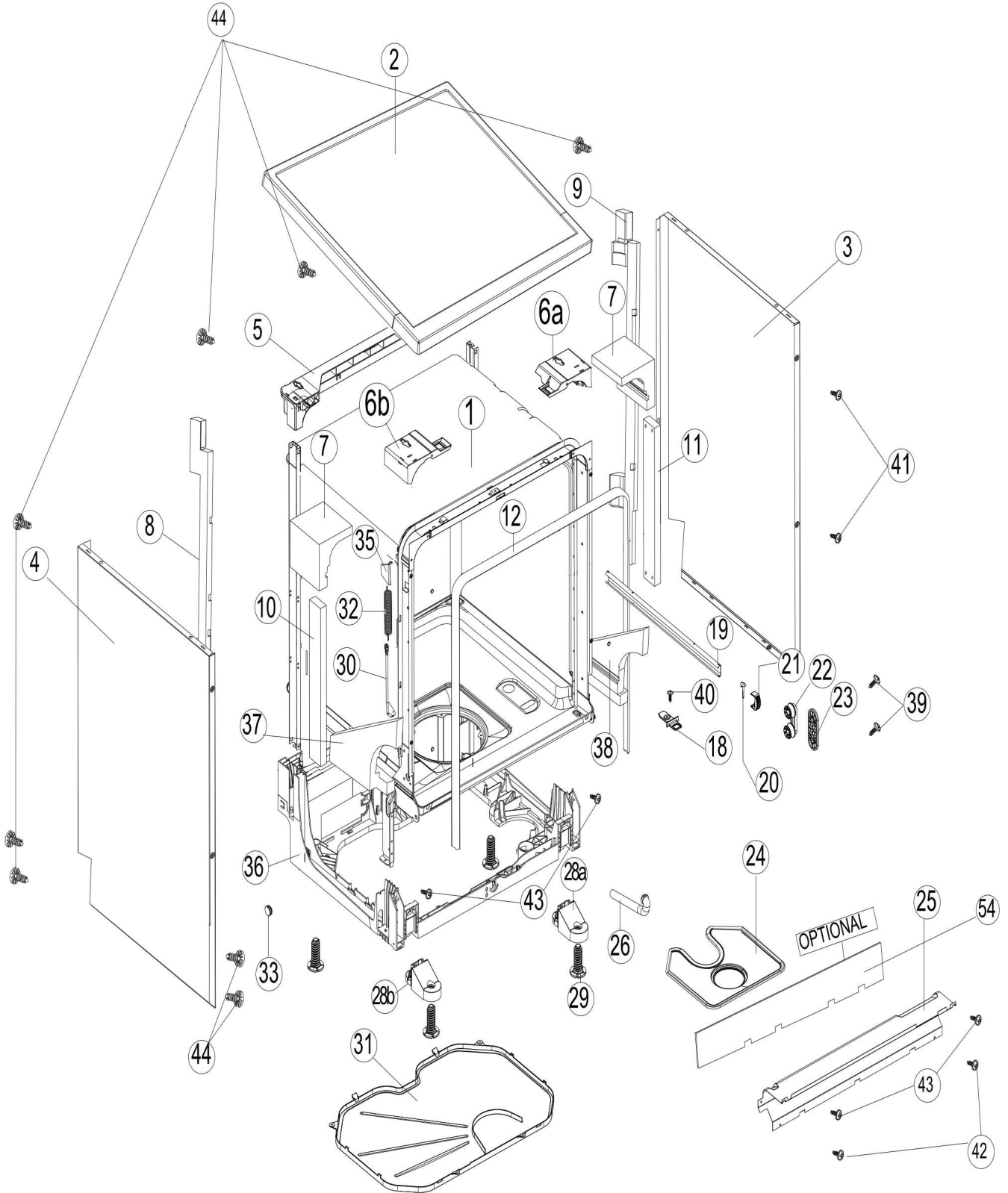


NO	PART NAME
60	DOOR OUTSIDE
61	DOOR INSIDE SHEETIRON GROUP
62	PLASTIC KICK PLATE
63	DISPANSER WITHOUT REED RELAY
64	DOOR LOCK
65	HINGE MOVEMENT SHEETIRON LEFT
66	HINGE MOVEMENT SHEETIRON RIGHT
67	TWISTED SHEETIRON
68	DOOR SEAL
69	SCREW ST 3,9X12 FLAT HEAD INOX
70	SCREW PT4X14 FLAT HEAD INOX
71	DOOR SUPPORT STYROFOAM
72	SCREW M5X10 TORK HEAD (S)
43	SCREW M4X9 PAN HEAD (S)
44	SCREW PT 4X12 PAN HEAD COLLAR CROSS

VESTEL DISWASHER MACH .

TUBE GROUP

CUSTOMER
SUPPORT



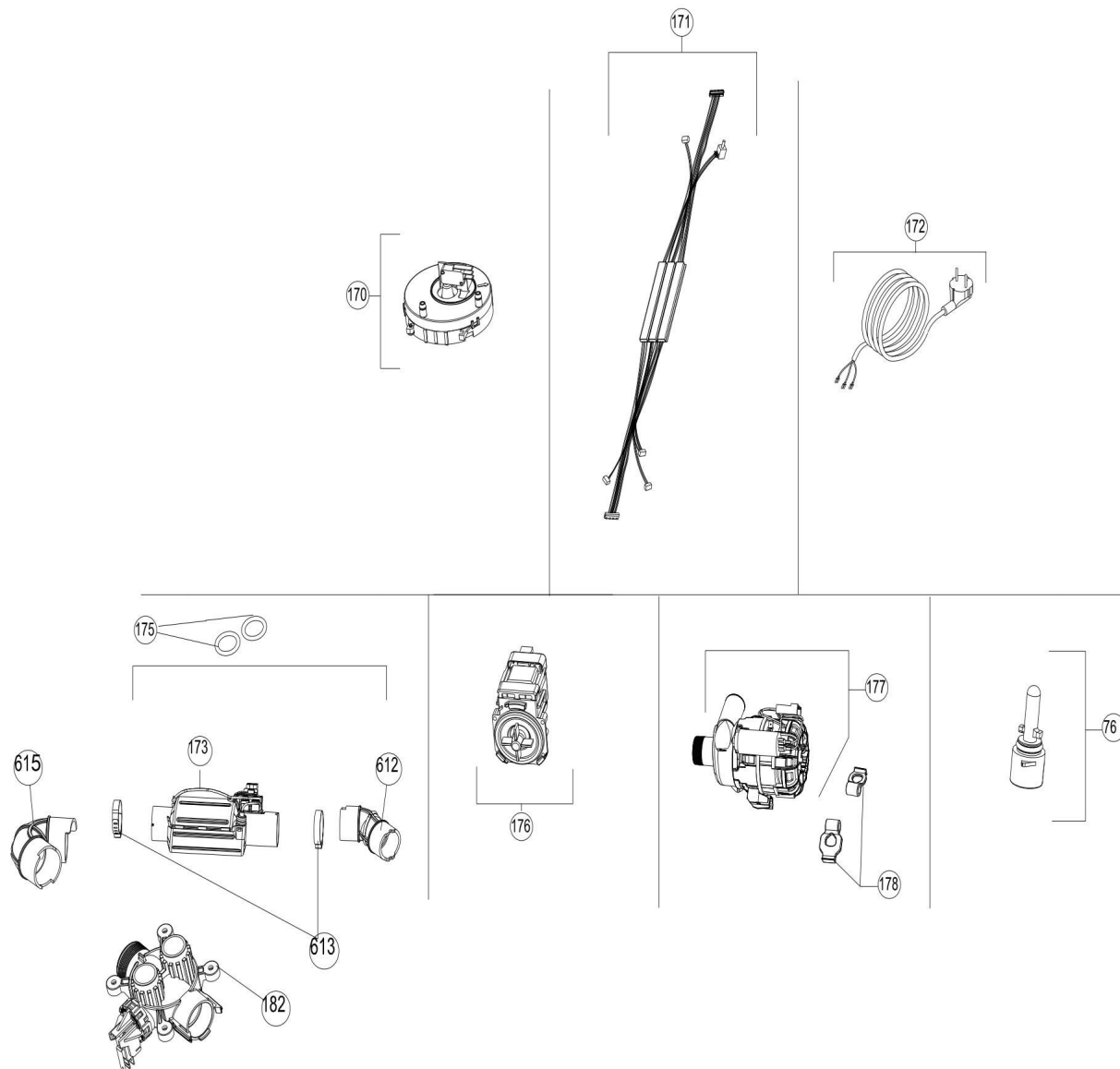
NO	PART NAME
1	TUBE ASSEMBLY
2	UPPER TRAY GROUP
3	FLAT/SIDE PANEL SHEETIRON-RIGHT
4	FLAT/SIDE PANEL SHEETIRON-LEFT
5	REAR UPPER PLS.CROSS BAR
6a	UPPER TRAY SUPPORT PART - RIGHT
6b	UPPER TRAY SUPPORT PART - LEFT
7	TUB TOP CORNER STYROFOAM
8	BACK CROSS BAR STYROFOAM-LEFT
9	BACK CROSS BAR STYROFOAM-RIGHT
10	FRONT CROSS BAR STYROFOAM-LEFT
11	FRONT CROSS BAR STYROFOAM-RIGHT
12	TUB GASKET
18	BOTTOM CORNER GASKET-LEFT
19	UPPER BASKET RAIL
20	UPPER BASKET STOPPER-REAR
21	UPPER BASKET RAIL LOCK-FRONT
22	UPPER BASKET RAIL CON.BRA.GROUP
23	UPPER BASKET RAIL CON.BRA -REAR
24	METAL FILTER
25	KICKPLATE SHEETIRON
26	OVERFLOW PIECE FROM TUB WITH HOSE/265mm
28a	FRONT FOOT CONN.PART-2 RIGHT
28b	FRONT FOOT CONN.PART-2 LEFT
29	ADJUSTED FOOT
30	HINGE CORD GROUP
31	LOWER COVER
32	HINGE SPRING
33	HINGE PULLEY
35	SPRING CONNECTION PART
36	BASEMENT
37	TUB LOWER CORNER STYROFOAM-LEFT
38	TUB LOWER CORNER STYROFOAM-RIGHT
39	SCREW PT5X20 TORX COLLAR CROSS
40	SCREW M4X6
41	SCREW 3,9X9,5 FLAT HEAD
42	SCREW PT3,5X9 PAN HEAD
43	SCREW M4*9 SB PAN HEAD (S)
44	SCREW PT4X12 PAN HEAD COLLAR CROSS
54	BASEMENT FRONT COVER (OPTIONAL)

MAY 2018

VESTEL DISWASHER MACH .

**CUSTOMER
SUPPORT**

COMPONENTS

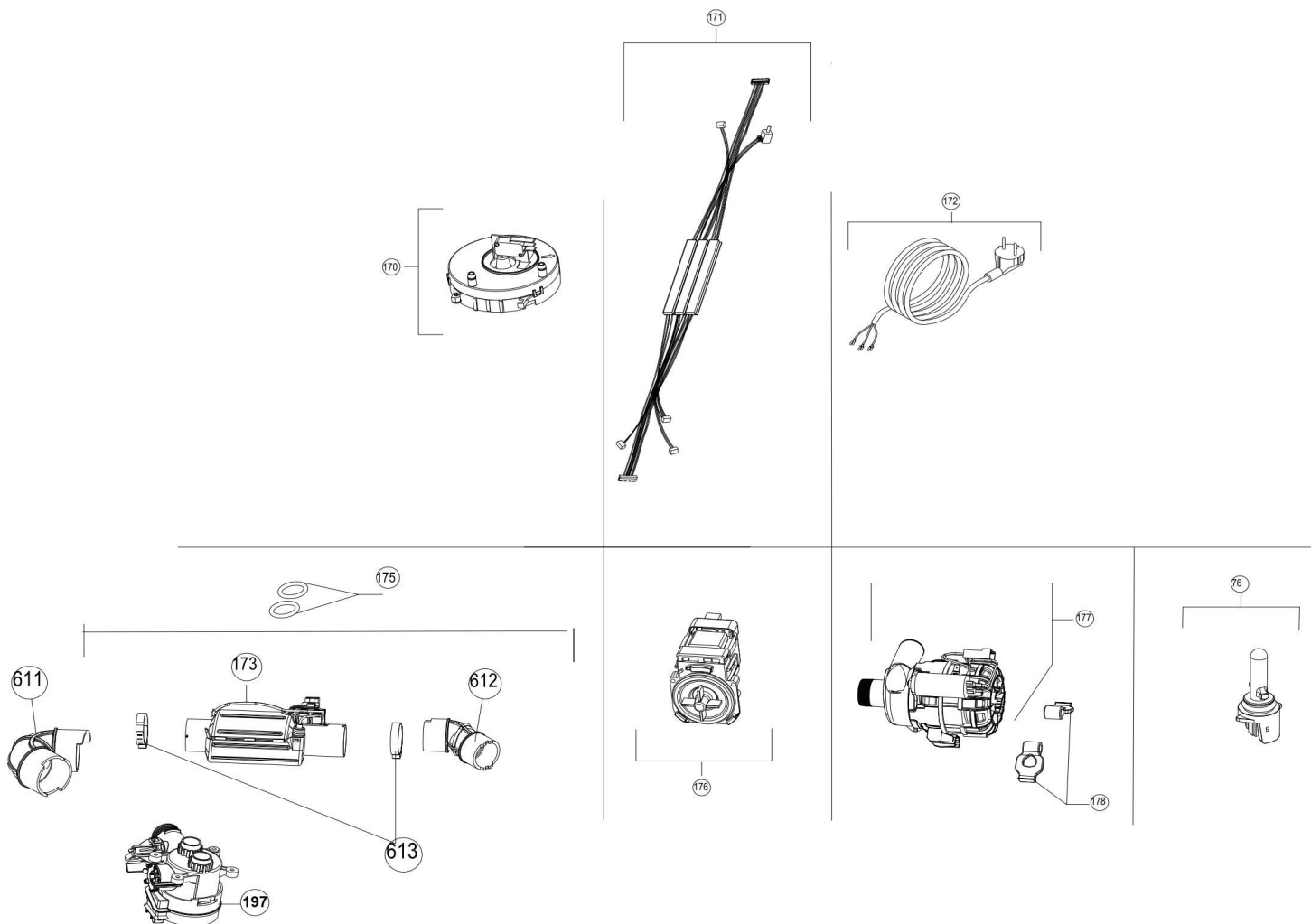


NO	PART NAME
170	FLOATER
171	CABLE HARNESS
172	POWER CABLE 180cm/WHITE
173	HEATER CAS FLOW THROUGH
175	HEATER CASING O-RING
176	DRAIN PUMP
177	WASHING PUMP
178	WASHING PUMP VINE SUPPORT
182	ECO
76	NTC
615	HOSE HEATER – SUMP/45
612	HOSE PUMP – HEATER
613	HOSE HANDCUFFS/FLOW THROUGH

VESTEL DISWASHER MACH .

**CUSTOMER
SUPPORT**

COMPONENTS



NO	PART NAME
170	FLOATER
171	CABLE HARNESS
172	POWER CABLE 180cm/WHITE
173	HEATER FLOW THROUGH
175	HEATER CASING O-RING
176	DRAIN PUMP
177	WASHING PUMP
178	WASHING PUMP VINE SUPPORT
76	NTC/SLIM
611	HOSE HEATER-ECO
612	HOSE PUMP-HEATER
613	HOSE HANDCUFFS/FLOW THROUGH
197	DIVERTER