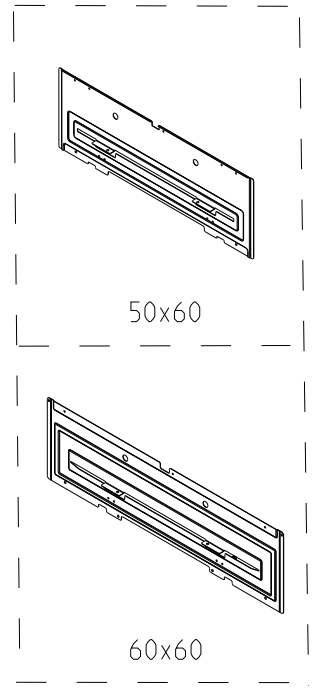
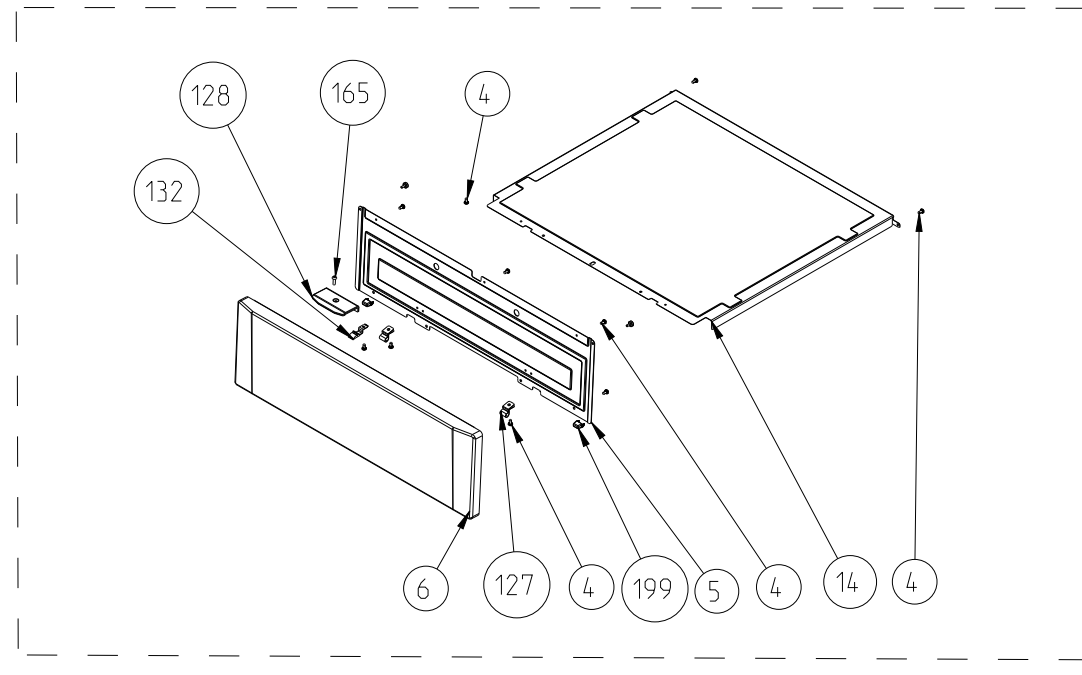


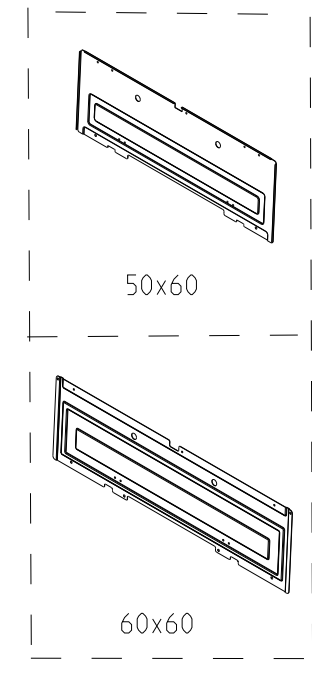
WARMER DRAWER ASSEMBLY



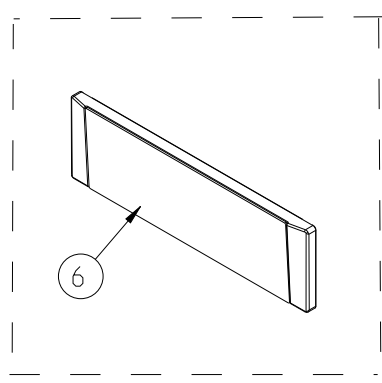
WARMER DRAWER INNER COVER



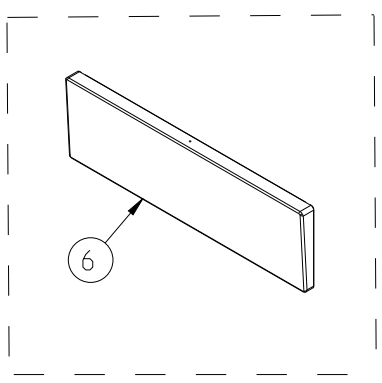
FLAP DRAWER ASSEMBLY (OPTIONAL)



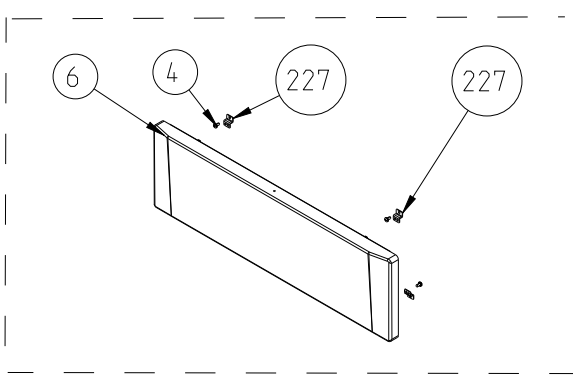
FLAP DRAWER INNER COVER



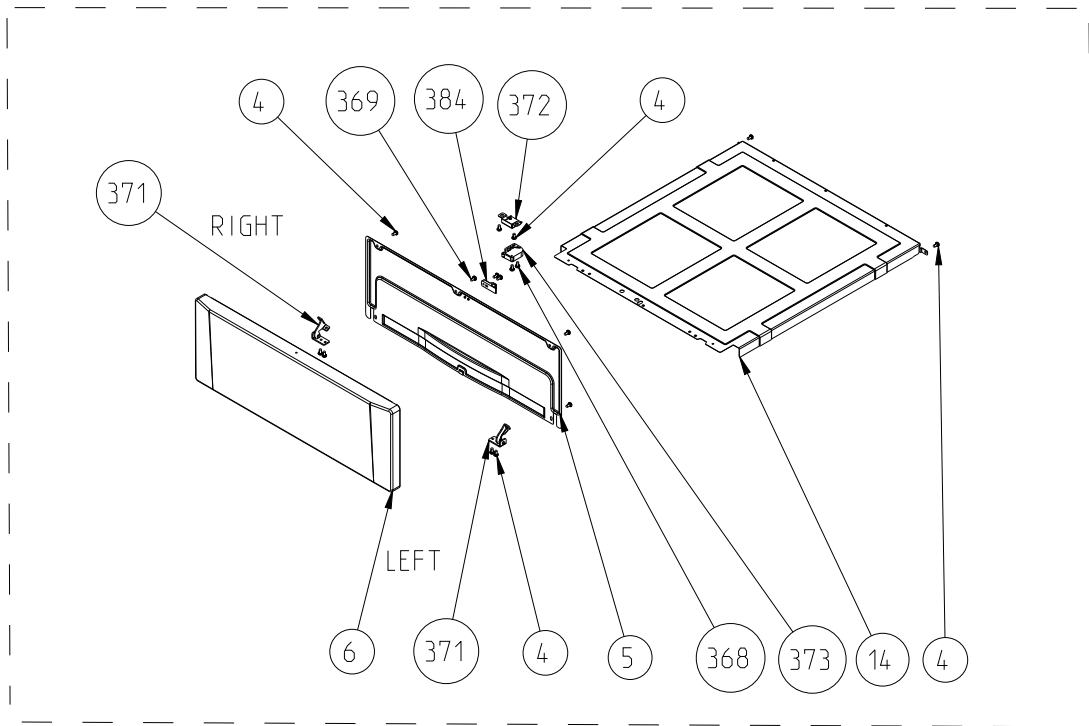
3D GLASS DRAWER PANEL (OPTIONAL)



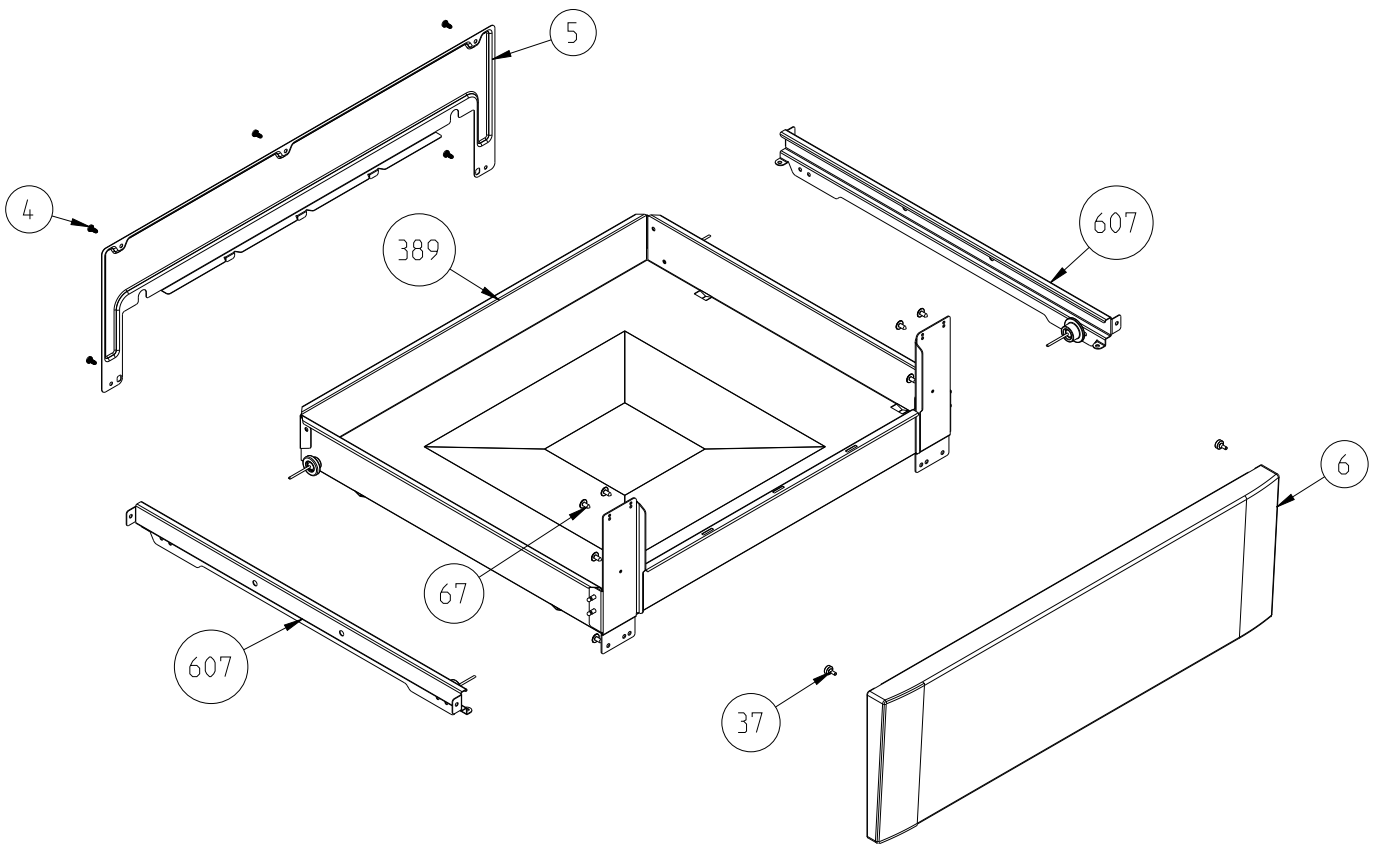
FLAT DRAWER PANEL (OPTIONAL)



FIXED DRAWER ASSEMBLY (OPTIONAL)



PUSH-PULL FLAP DRAWER ASSEMBLY
(OPTIONAL)



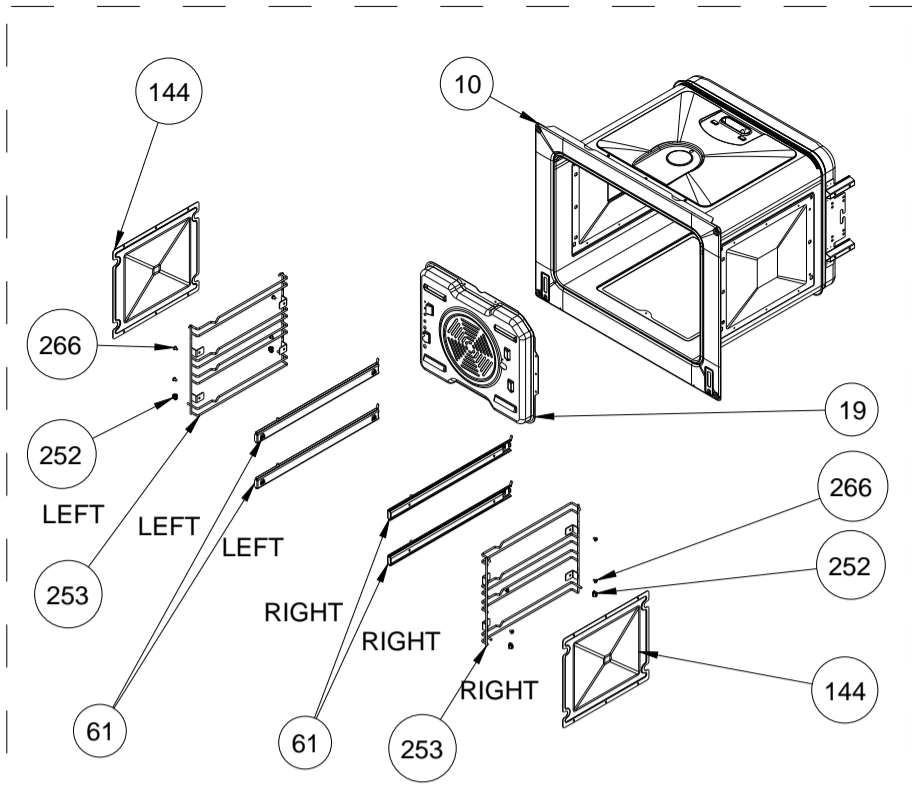
4WG DRAWER ASSEMBLY (OPTIONAL)

DRAWER ASSEMBLY PARTS	
POSITION NUMBER	PART NAME
1	WARMER DRAWER BODY
4	SCREW (3.9*9.5)
5	DRAWER INNER COVER
6	DRAWER PANEL
14	BOTTOM INSULATION COVER
35	WARMER DRAWER BODY GUIDE (RIGHT/LEFT)
37	DRAWER PANEL STOPPER
67	DRAWER BRACKET CONTACT SCREW
127	FLAP HINGE COUNTERPART SPRING
128	FLAP DRAWER HANDLE
132	FLAP DRAWER LOCKING LATCH
165	FLAP DRAWER HANDLE CONTACT SCREW
199	FLAP DRAWER BUMPER
227	FIXED DRAWER PANEL ASSEMBLY BRACKET
368	FLAP DRAWER LOCKING CONTACT SCREW
369	FLAP DRAWER LOCKING COUNTERPART CONTACT SCREW
371	FLAP DRAWER HINGE (RIGHT/LEFT)
372	FLAP DRAWER LOCKING BRACKET
373	FLAP DRAWER LOCKING(MINI LATCH)
384	FLAP DRAWER LOCKING COUNTERPART(MINI LATCH)
389	DRAWER BOX
607	4WG DRAWER RAIL GROUP (60*60,50*60)
The exploded views given in this document are generic.They include all possible versions of the product.For specific part codes,please refer to the bom list of regarding model	

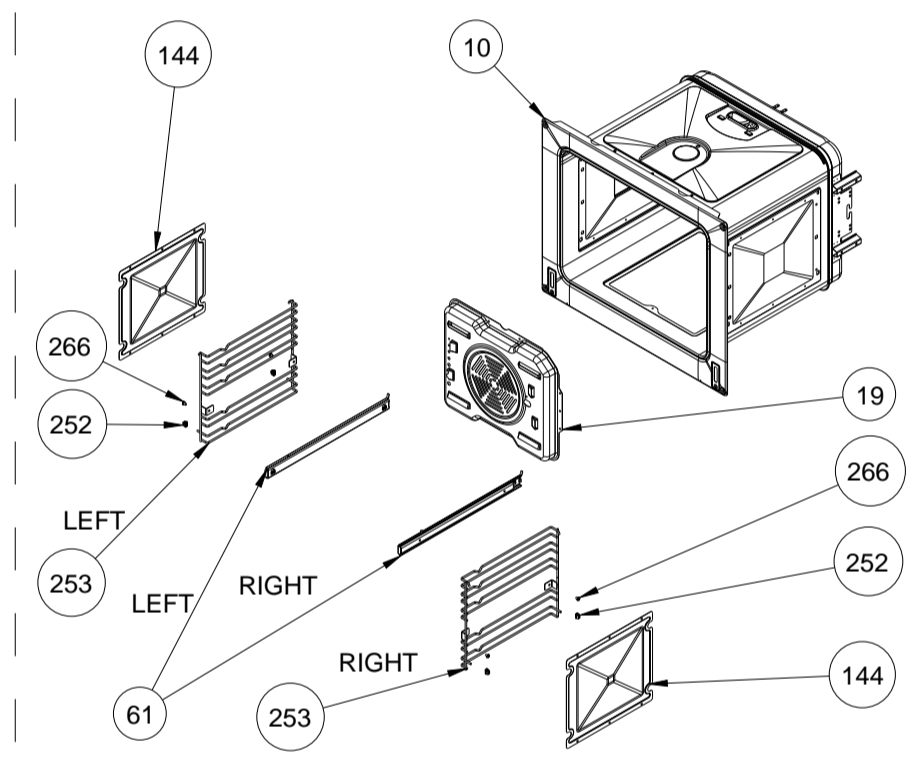
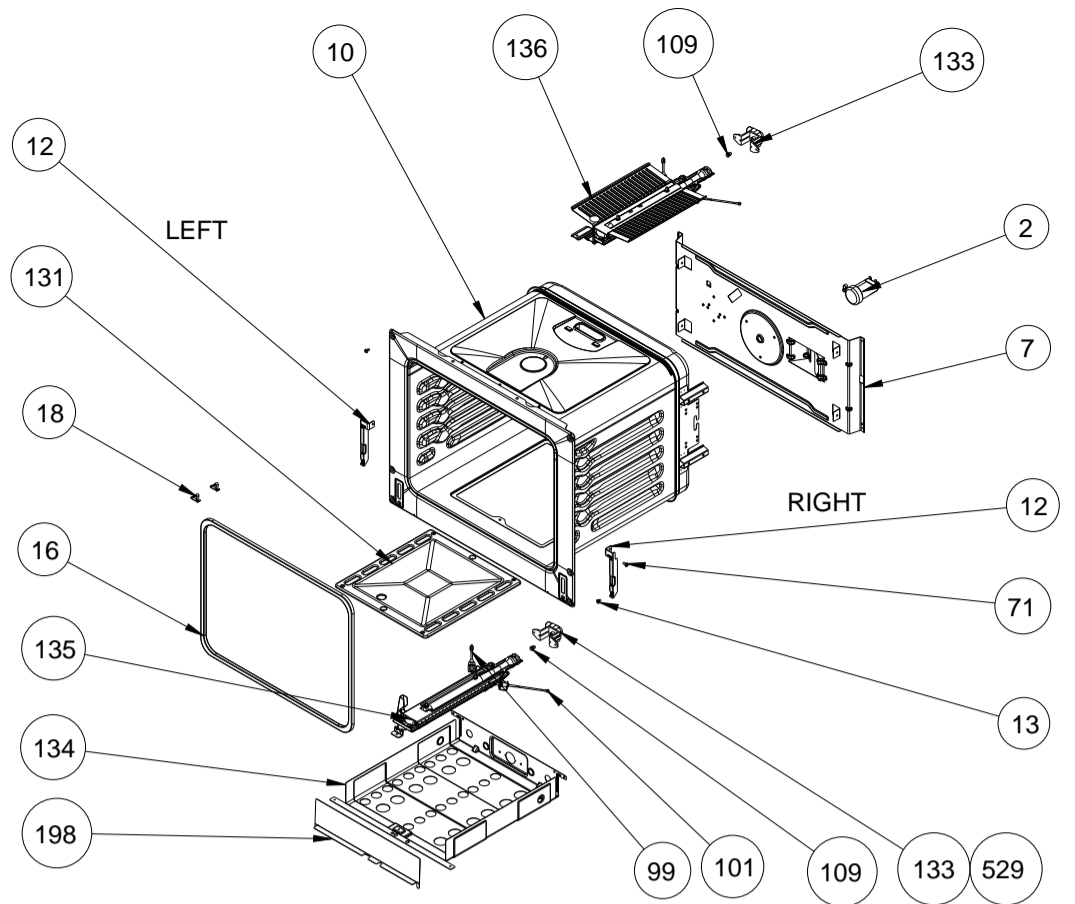
OVEN DOOR OUTER GLASS ASSEMBLY PARTS

POSITION NUMBER	PART NAME
4	SCREW (KNURLED, 3.9*9.5, BLACK)
49	HANDLE ASSEMBLY GROUP
50	INNER GLASS ASSEMBLY
51	INNER LID TOP CONTACT SCREW
52	OVEN DOOR HINGE
53	OVEN DOOR HANDLE ASSEMBLY STUD
54	OUTER GLASS ASSEMBLY
55	HANDLE BRACKET / BRACKET WITH CAP (LEFT / RIGHT)
56	HANDLE BODY
67	REMOVABLE INNER GLASS SPRING CONTACT SCREW
107	WASHER
130	SIDE CLOSING PROFILE (FOR FLAT OVEN DOOR WITH FULL GLASS)
173	DOUBLE GLAZED OVEN DOOR METAL TRIM CONTACT SCREW
204	HANDLE TAP
211	HANDLE ASSEMBLY GASKET
220	INTERVAL FRONT PANEL SPRING
237	DOUBLE GLAZED OVEN DOOR METAL TRIM
238	OVEN DOOR HANDLE CONTACT SCREW
239	HANDLE FIXING BUSH
240	SILICONE WASHER
262	REMOVABLE INNER GLASS SPRING (LEFT / RIGHT)
302	HANDLE BRACKET CONTACT SCREW
374	SOLID TYPE OVEN DOOR ASSEMBLY (3D)
375	SOLID TYPE OVEN DOOR (FLAT / OBLIQUE)
376	SOLID TYPE OVEN DOOR ASSEMBLY
377	OVEN DOOR GROUP

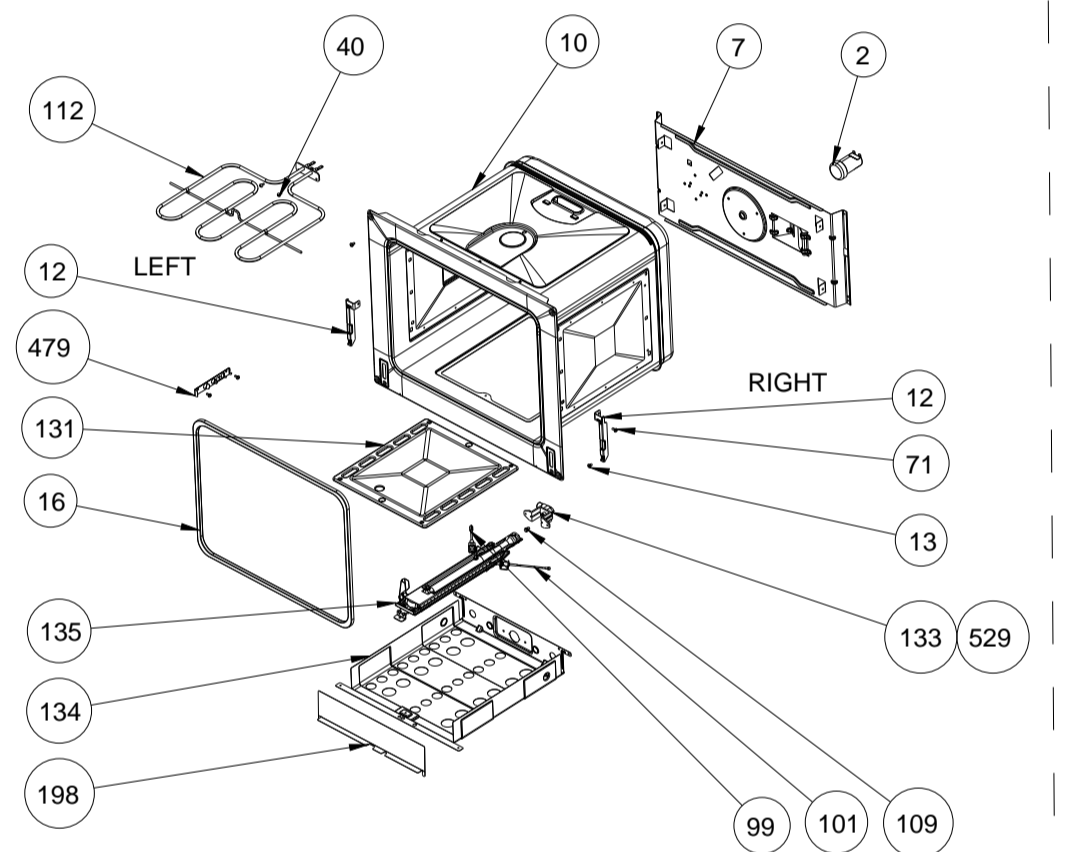
“The exploded views given in this document are generic. They include all possible versions of the product. For specific part codes, please refer to the bom list of regarding model.”



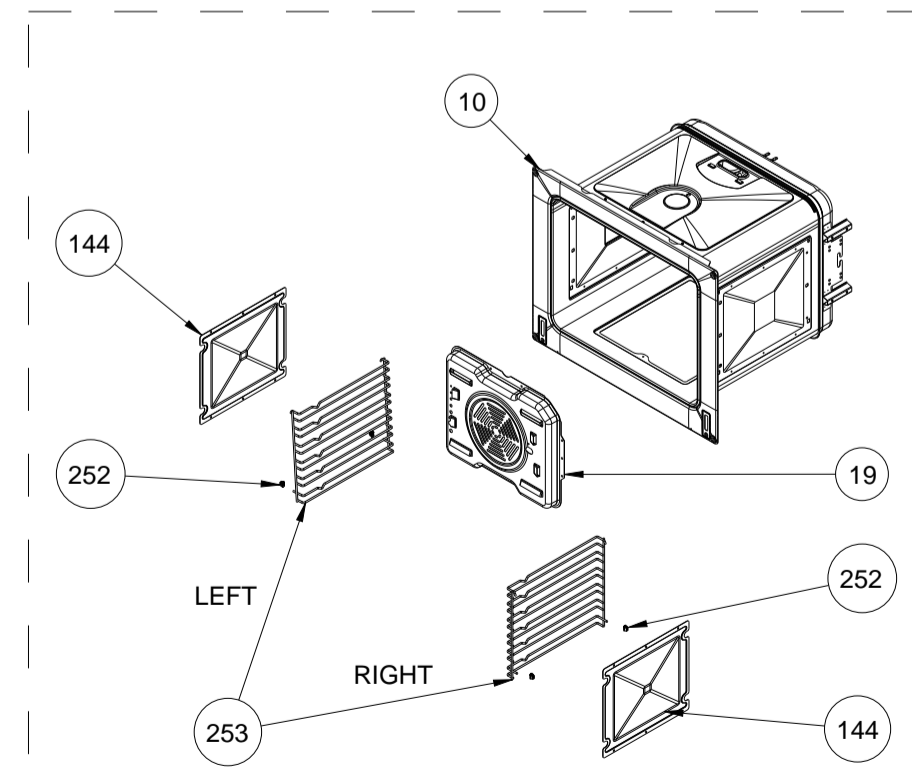
WIRE SHELF CAVITY ASSEMBLY WITH / WITHOUT CATALYTIC PANEL
 OPTIONAL : DOUBLE TELESCOPIC RAILS (R / L)



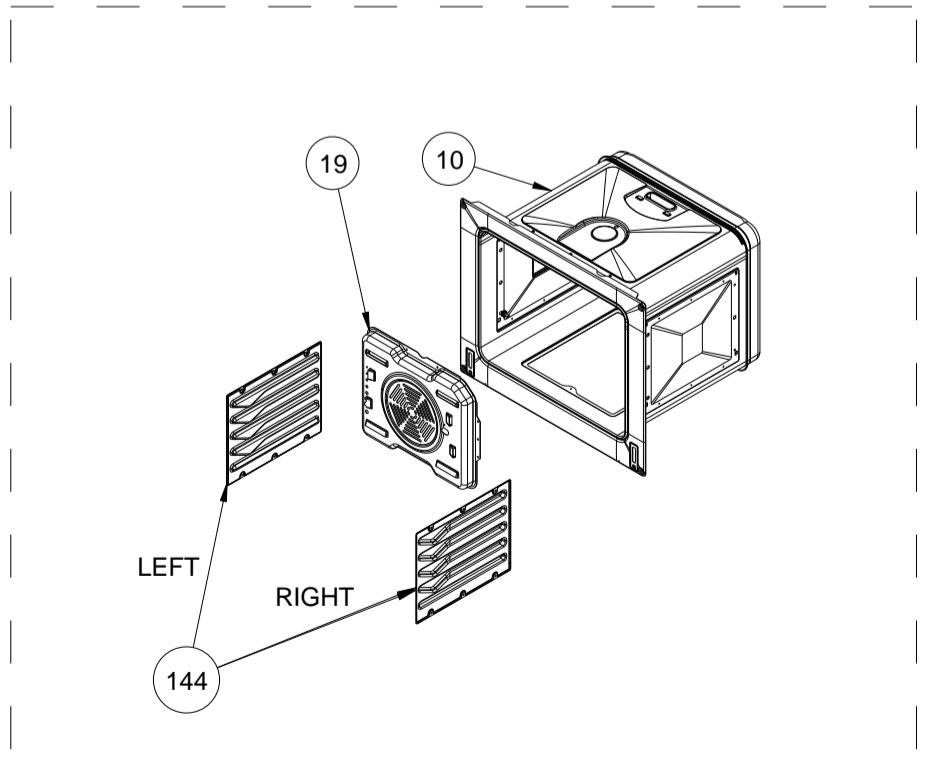
WIRE SHELF CAVITY ASSEMBLY WITH / WITHOUT CATALYTIC PANEL
 OPTIONAL : TELESCOPIC RAIL (R / L)



(OPTIONAL ONLY FOR ELECTRIC GRILL FS GAS)



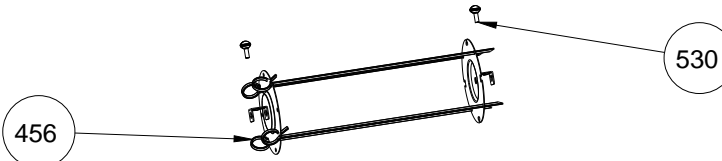
WIRE SHELF CAVITY ASSEMBLY WITH / WITHOUT CATALYTIC PANEL
 (OPTIONAL)



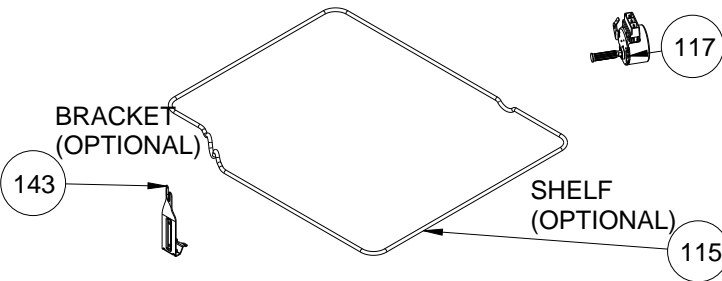
CAVITY ASSEMBLY WITH CATALYTIC PANEL
 (OPTIONAL)



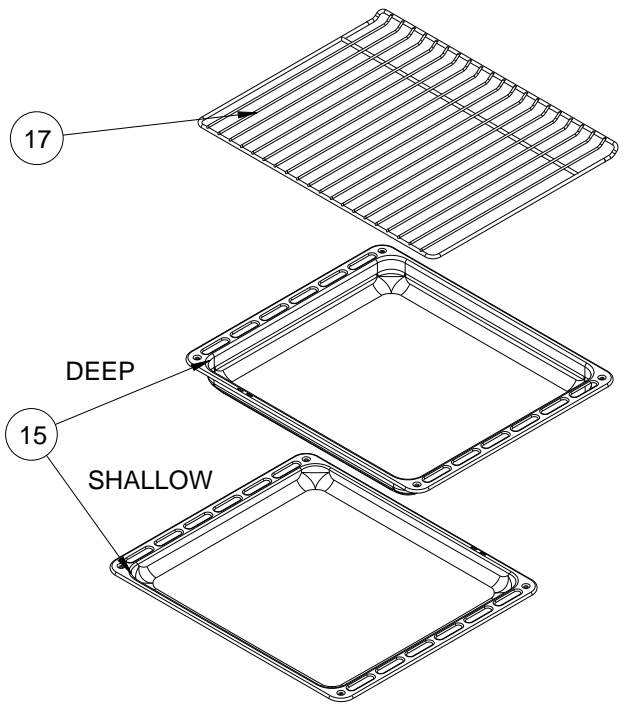
TURNSPIT SKEWER



SHISH KEBAB ACCESSORY (OPTIONAL)



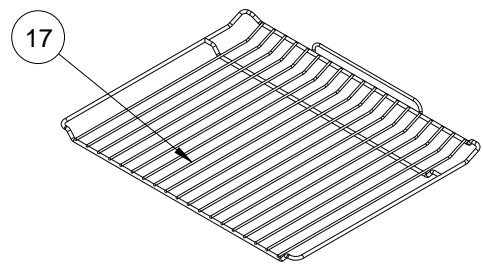
TURNSPIT (OPTIONAL)



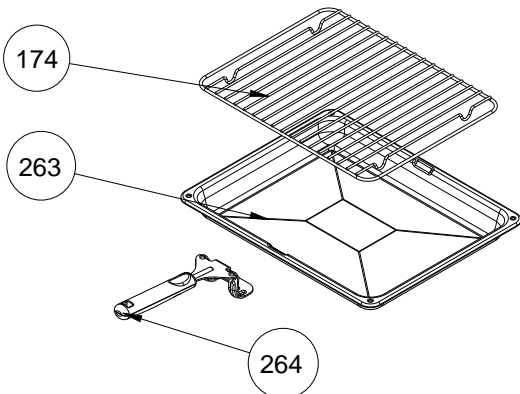
TRAYS & GRID (OPTIONAL)



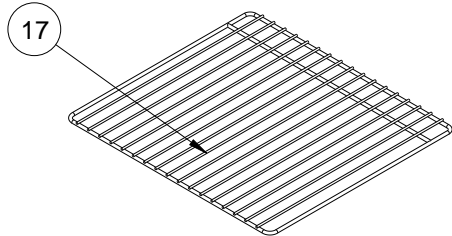
THERMIST BULB HOLDER/BRACKET



LOCKED

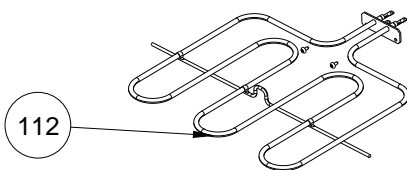


GRILL PAN AND HANDLE SET
(TRAY SET FOR GRILL)
(POSITION NO : 265) - (OPTIONAL)

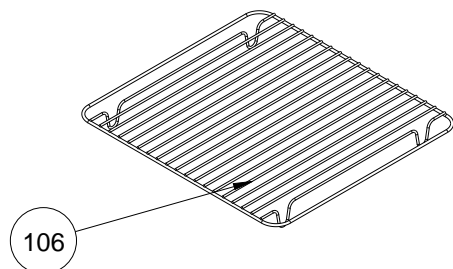


W. TELESCOPIC RAIL

GRID
(OPTIONAL)



TOP AND GRILL HEATING ELEMENT
(OPTIONAL ONLY FOR ELECTRIC GRILL FS GAS)



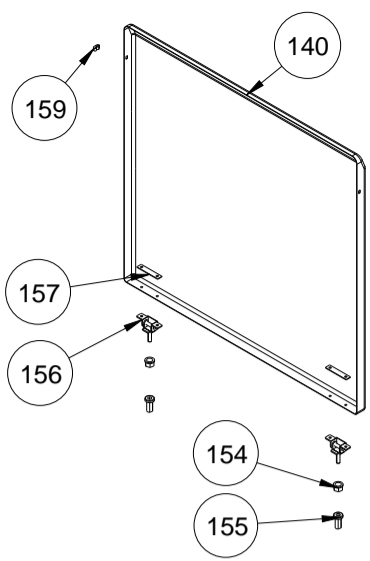
DEEP TRAY GRID
(OPTIONAL)

CAVITY ASSEMBLY PARTS

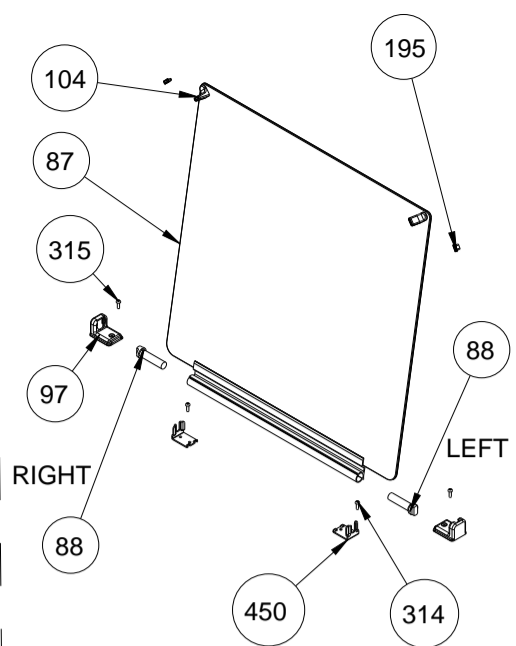
POSITION NUMBER	PART NAME
2	OVEN LIGHT
4	SCREW (3.9*9.5)
7	REAR INSULATION COVER
10	CAVITY
12	HINGE COUNTERPART (LEFT / RIGHT)
13	HINGE COUNTERPART FRONT CONTACT SCREW
15	TRAY (DEEP / SHALLOW, BLACK)
16	OVEN DOOR GASKET
17	GRID (LOCKED , W. TELESCOPIC RAIL)
18	THERMOSTAT BULB BRACKET
19	FAN COVER
40	TOP AND GRILL HEATING ELEMENT CONTACT SCREW
61	TELESCOPIC RAIL (RIGHT, LEFT)
71	HINGE COUNTERPART SIDE CONTACT SCREW
99	SPARK PLUG WITH CABLE
101	THERMOCOUPLE (COAXIAL TYPE, GRILL)
106	DEEP TRAY GRID
109	INJECTOR (OVEN / GRILL BURNER)
112	TOP AND GRILL HEATING ELEMENT
115	TURNSPIT GRILL
116	TURNSPIT SKEWER
117	TURNSPIT MOTOR
131	BURNER COVER
133	INJECTOR HOLDER (OVEN / GRILL)
134	BURNER BOX
135	OVEN BURNER
136	GRILL BURNER
143	TURNSPIT HOUSE (or alternative : TURNSPIT GRILL)
144	CATALYTIC PANEL WITH WIRE SHELF (ENAMELLED)
	SHELF COVER (RIGHT/LEFT, CATALYTIC ENAMELLED)
174	TRAY GRID
198	BURNER BOX HEAT COVER
252	WIRE SHELF FIXING CLIP
253	WIRE SHELF (RIGHT, LEFT)
255	WIRE SHELF FIXING SCREW
263	GRILL PAN
264	GRILL PAN HANDLE
265	TRAY SET (SMALL, BLACK)
266	TELESCOPIC RAIL CONTACT SCREW
456	SHISH KEBAB ACCESSORY
479	THERMST BULB HOLDER(GAS)
529	INJECTOR HOLDER(OVEN)
530	EYE SCREW (M5*12,AISI304)

“The exploded views given in this document are generic. They include all possible versions of the product.

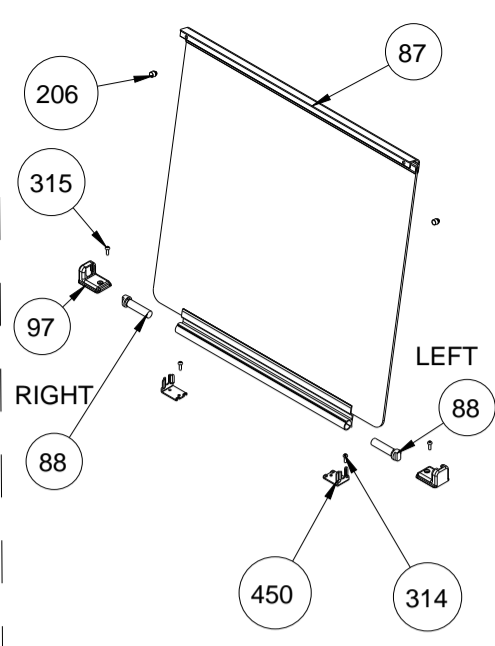
For specific part codes, please refer to the bom list of regarding model.”



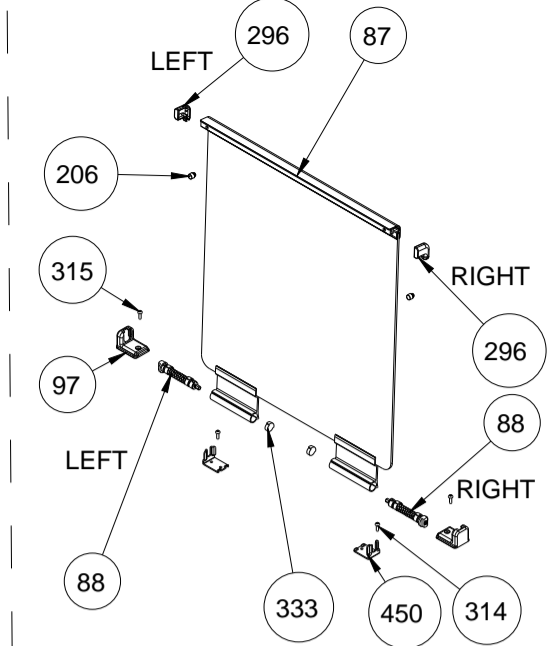
METAL LID OPTIONAL
(POSITION NO 153)



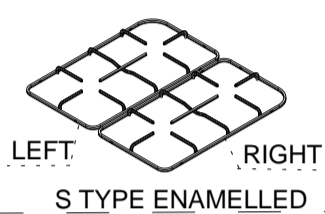
GLASS LID WITH BUMPER OPTIONAL



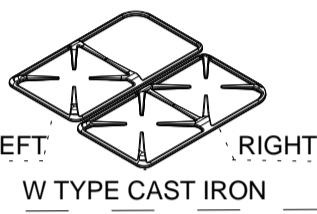
GLASS LID OPTIONAL



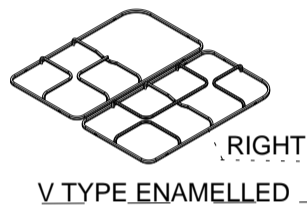
GLASS LID WITH SHORT PROFILE OPTIONAL



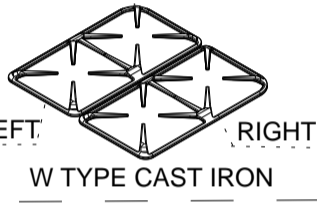
S TYPE ENAMELLED



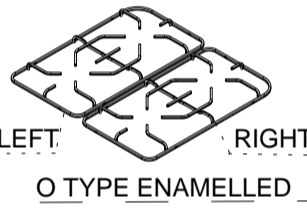
W TYPE CAST IRON



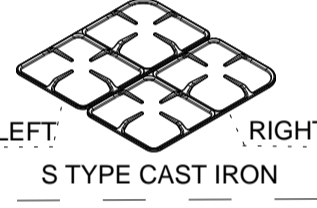
V TYPE ENAMELLED



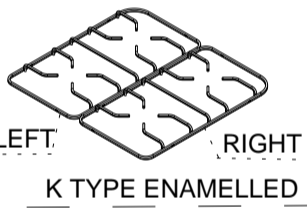
W TYPE CAST IRON



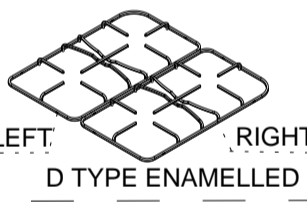
O TYPE ENAMELLED



S TYPE CAST IRON

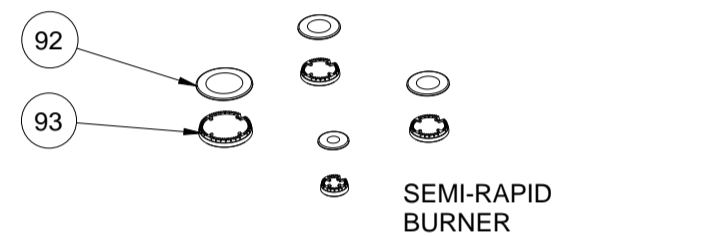
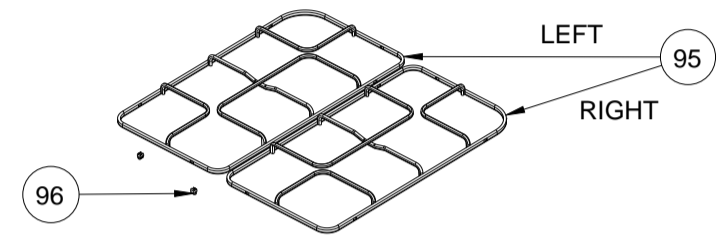


K TYPE ENAMELLED

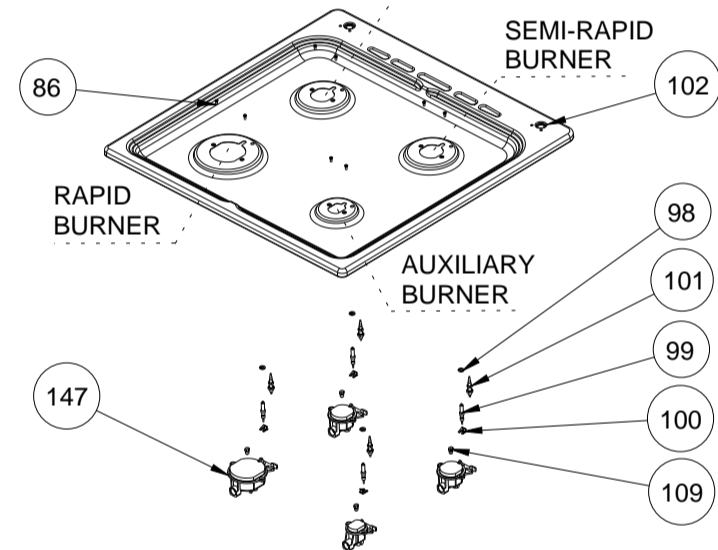


D TYPE ENAMELLED

PAN SUPPORTS (OPTIONAL)



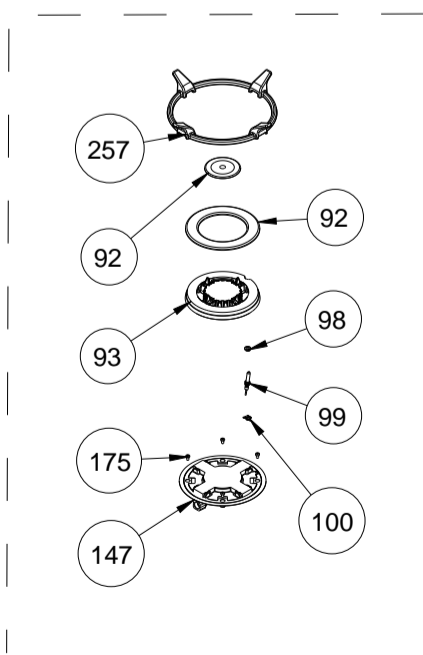
SEMI-RAPID BURNER



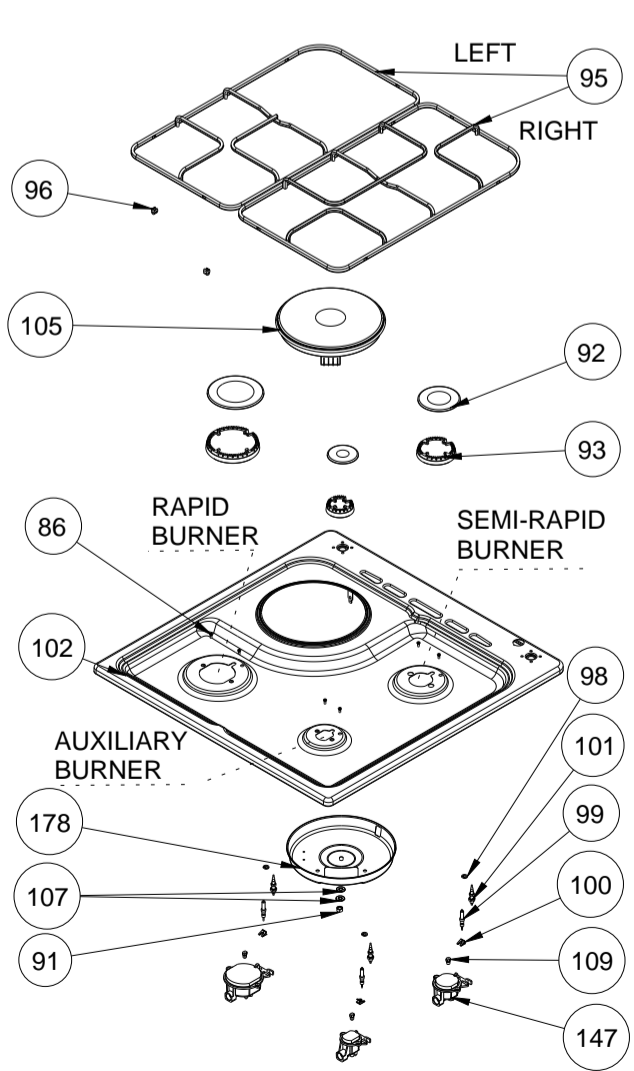
RAPID BURNER

SEMI-RAPID BURNER

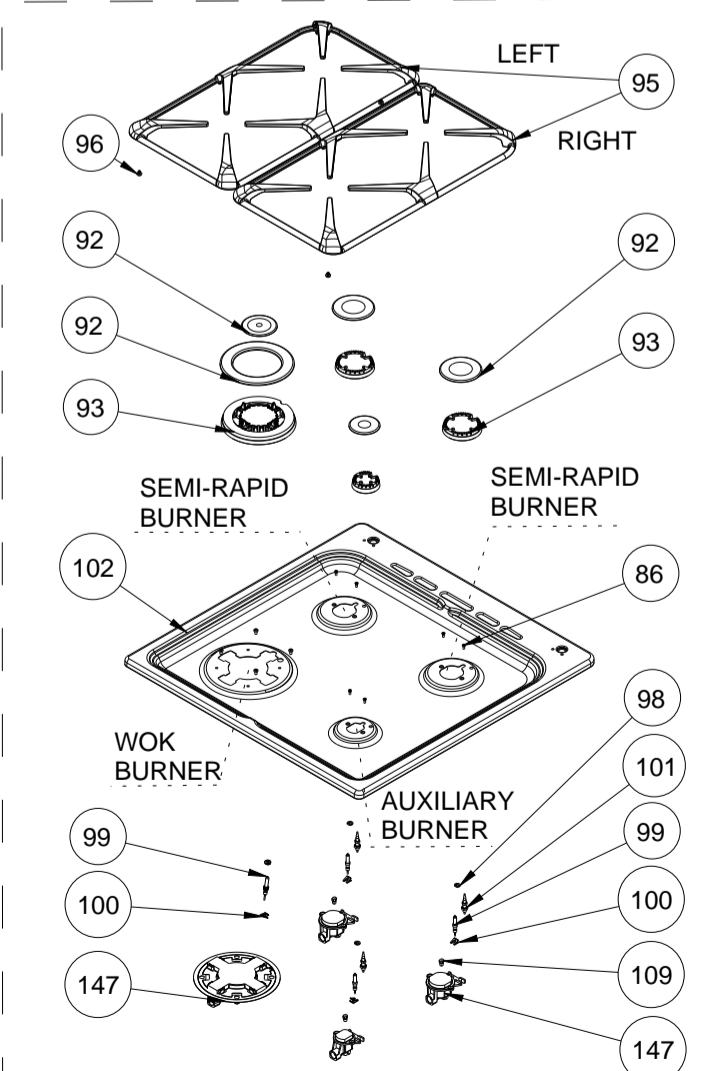
AUXILIARY BURNER



WOK BURNER (OPTIONAL)



3 GAS 1 ELECTRIC



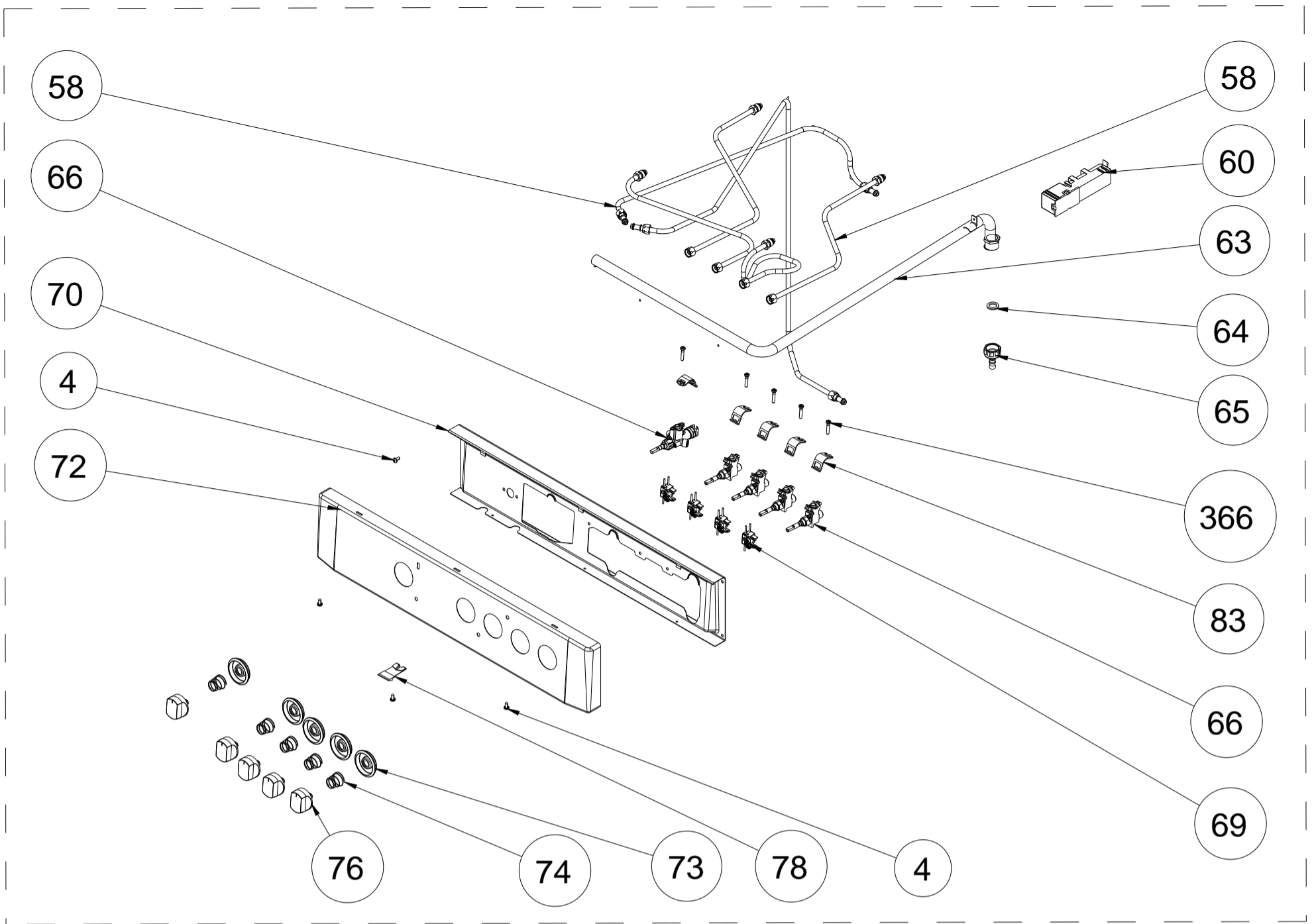
3 GAS + WOK BURNER

COOKTOP ASSEMBLY PARTS

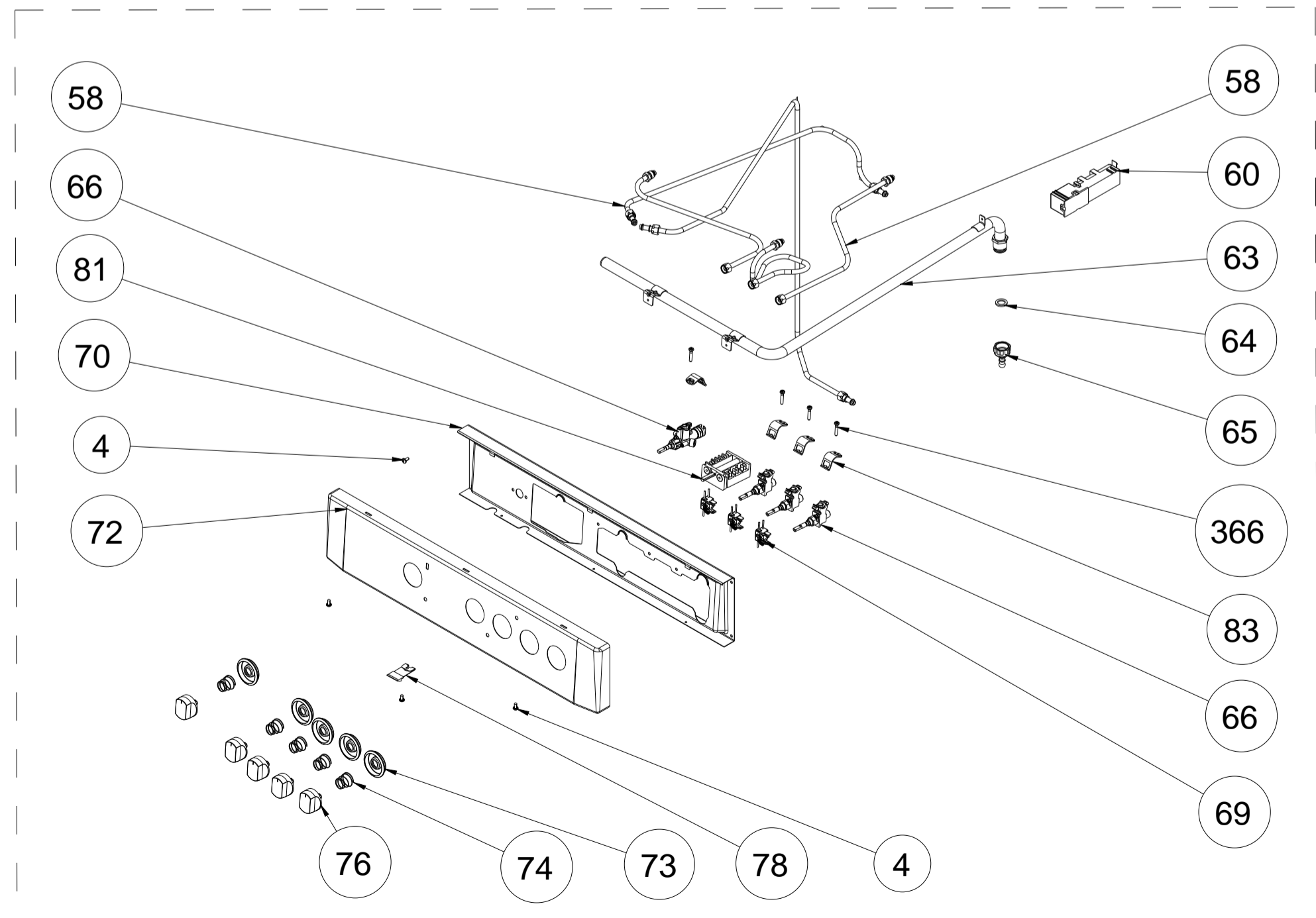
POSITION NUMBER	PART NAME
86	SCREW (COUNTERSUNK-HEAD, M3*8, LENTIL HEAD)
87	GLASS LID ASSEMBLY
88	GLASS LID HINGE (RIGHT / LEFT)
91	NUT
92	BURNER CAP (RAPID/AUXILIARY/SEMI-RAPID/WOK BURNER)
93	BURNER HEAD (RAPID/AUXILIARY/SEMI-RAPID/WOK BURNER)
95	PAN SUPPORT
96	PAN SUPPORT BUMPER
97	GLASS LID HINGE COVER
98	SPARK PLUG GASKET
99	SPARK PLUG WITH CABLE
100	SPARK PLUG SEGMENT
101	THERMOCOUPLE(COAXIAL TYPE)
102	COOKTOP
104	GLASS LID BUMPER
105	HOTPLATE Ø180
107	WASHER
109	INJECTOR (RAPID/AUXILIARY/SEMI-RAPID BURNER)
140	METAL LID
147	BURNER BODY (RAPID/AUXILIARY/SEMI-RAPID/WOK BURNER)
153	METAL LID ASSEMBLY
154	METAL LID HINGE TOP PART
155	METAL LID HINGE BOTTOM PART
156	METAL LID HINGE
157	METAL LID HINGE TOP COUNTERPART
159	METAL LID BUMPER
175	SCREW (CIRCULAR-HEAD, M4*8, STAINLESS)
178	HOTPLATE HOUSING (Ø180)
195	GLASS LID BUMPER SILICONE
206	GLASS LID FRO.PROFILE SILICON BUMPER
257	WOK BURNER SUPPORT
296	GLASS LID TAP (RIGHT / LEFT)
314	GLASS LID HINGE COUNTERPART CONTACT SCREW
315	GLASS LID HINGE COVER CONTACT SCREW
333	GLASS LID BACK PROFILE CAP
450	GLASS LID HINGE COUNTERPART

“The exploded views given in this document are generic. They include all possible versions of the product.

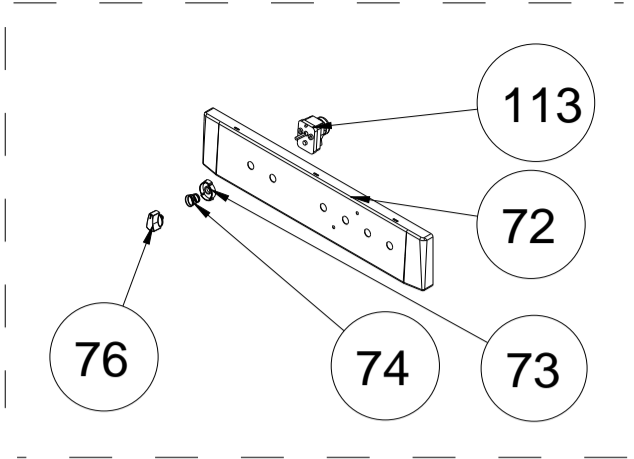
For specific part codes, please refer to the bom list of regarding model.”



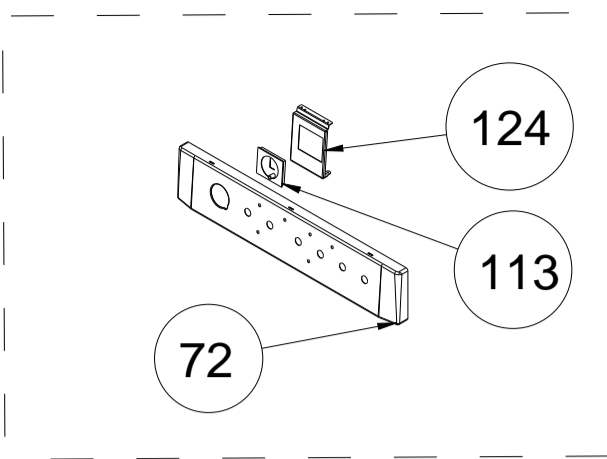
4G CONTROL PANEL ASSEMBLY



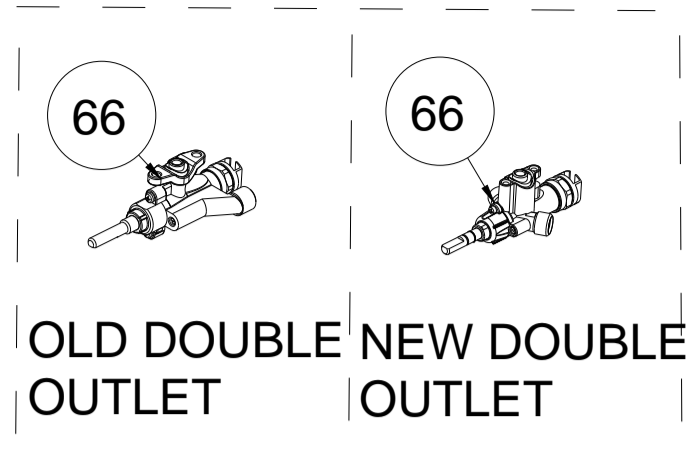
3G-1E CONTROL PANEL ASSEMBLY



MECHANIC TIMER
(OPTIONAL)

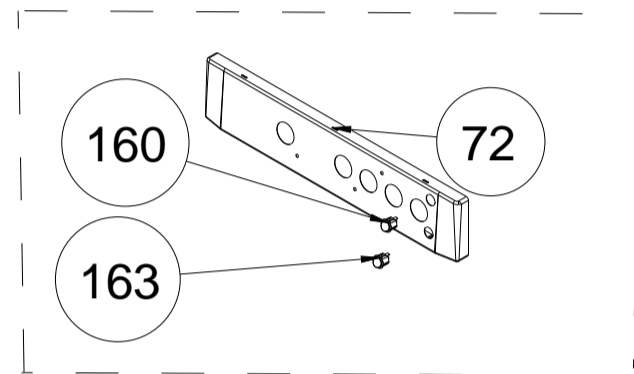


ANALOG TIMER
(OPTIONAL)

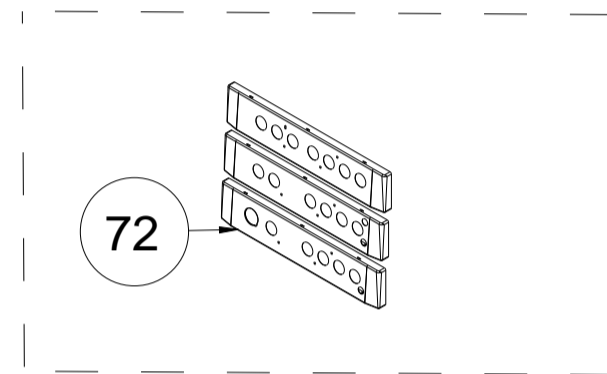


OLD DOUBLE OUTLET NEW DOUBLE OUTLET

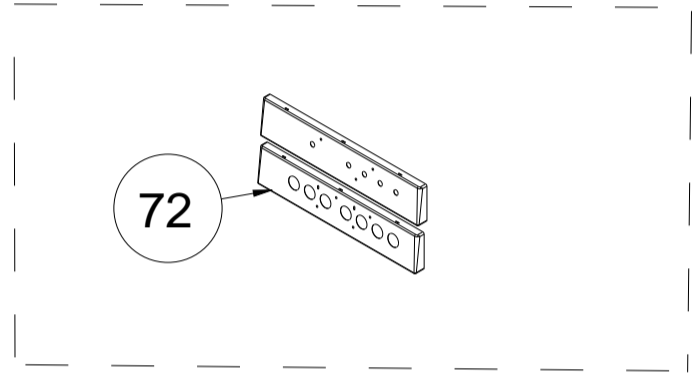
OVEN VALVES FOR
FFD, WITHOUT THERMOSTAT



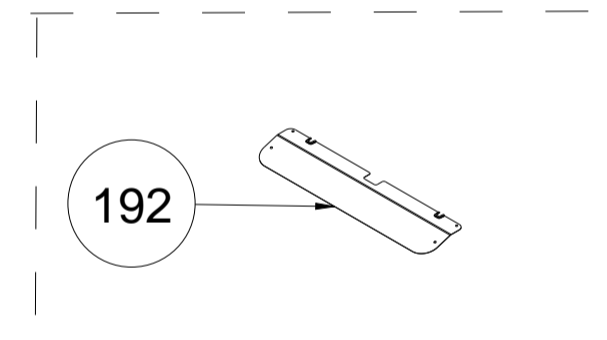
SPARK/LAMP BUTTON
(OPTIONAL)



3D METAL CONTROL
PANELS (OPTIONAL)



FLAT METAL CONTROL
PANELS (OPTIONAL)



GRILL HEAT COVER
(OPTIONAL)

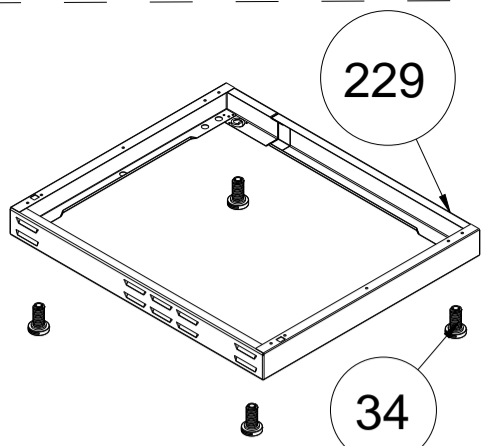
CONTROL PANEL ASSEMBLY PARTS

POSITION NUMBER	PART NAME
4	SCREW (3.9*9.5)
58	GAS DELIVERY TUBE
60	IGNITOR
63	MANIFOLD
64	STRAIGHT HOSE FITTING GASKET
65	HOSE FITTING (NG / LPG)
66	GAS VALVE (HOB / OVEN*)
69	MICROSWITCH HARNESS
70	INNER PANEL
72	FRONT PANEL
73	KNOB RING
74	KNOB SPRING
76	KNOB
78	CHILD LOCK
81	HOTPLATE SWITCH 7 POSITION
83	COOKTOP VALVE ASSEMBLY BRACKET
113	TIMER (MECHANIC / DIGITAL / ANALOG)
124	TIMER HOLDER (DIGITAL / ANALOG)
160	IGNITOR BUTTON
163	OVEN LIGHT BUTTON
192	GRILL HEAT COVER
366	COOKTOP VALVE CONTACT SCREW

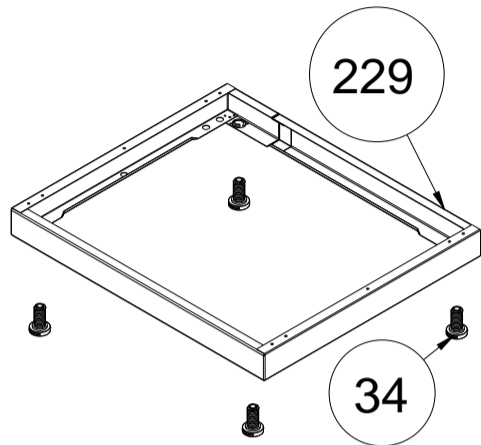
*OVEN VALVES MIGHT BE THERMOSTATIC / NON-THERMOSTATIC . this is optional. Gas ovens do not have a seperate thermostat)

“The exploded views given in this document are generic. They include all possible versions of the product.

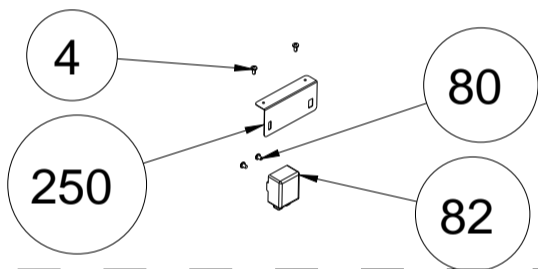
For specific part codes, please refer to the bom list of regarding model.”



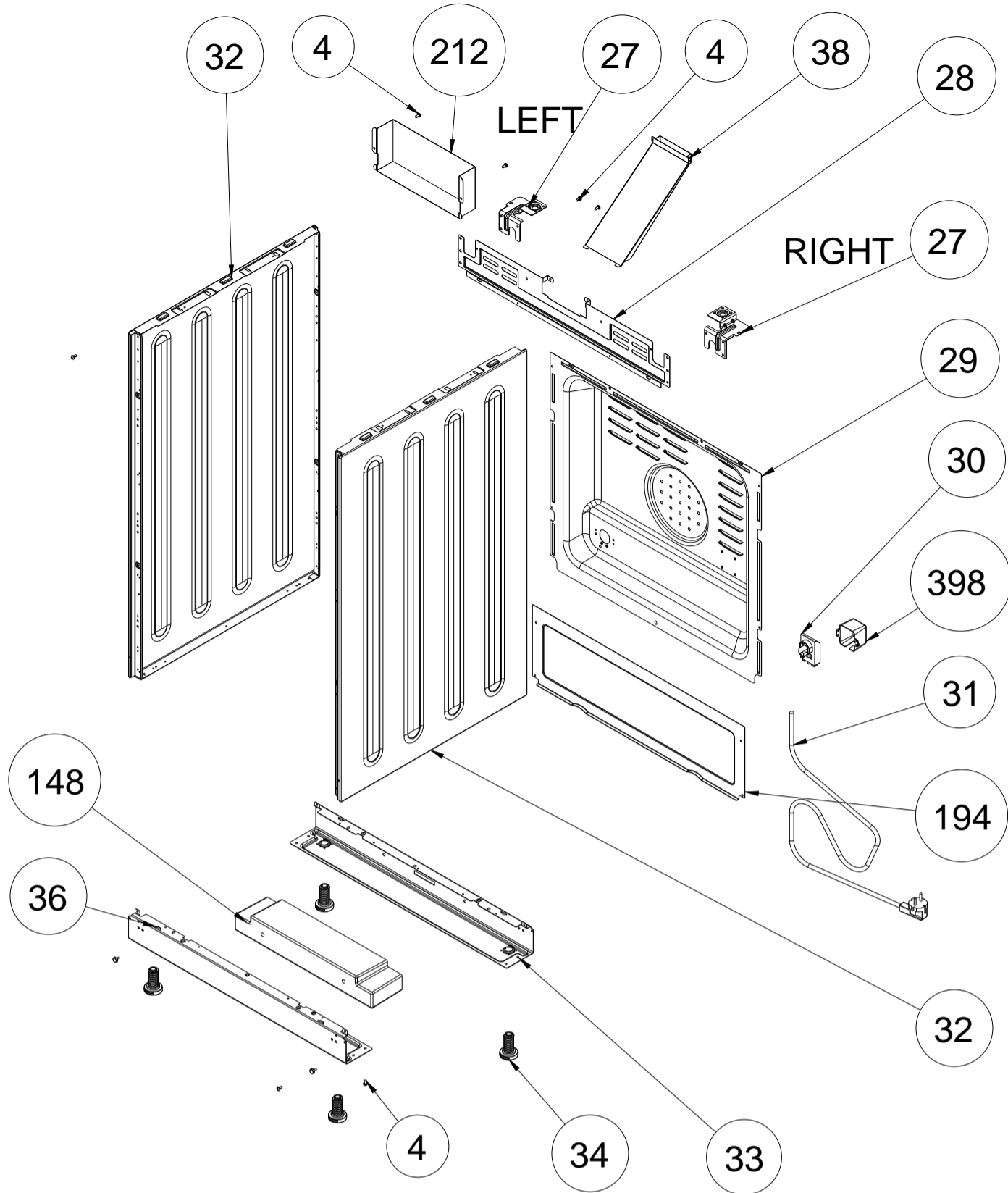
EXTRA BOTTOM SUPPORT
(WITH LOUVRES)



ADDITIONAL BOTTOM
SUPPORT
OPTIONAL
(ONLY FOR FS 90 CM)



(OPTIONAL ONLY FOR
ELECTRIC GRILL FS GAS)



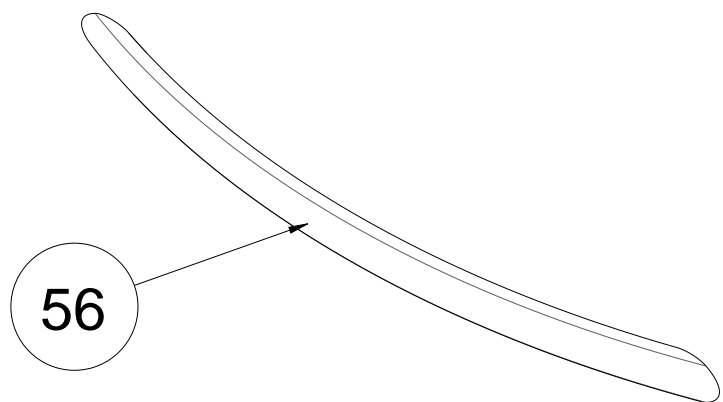
SIDE PANEL ASSEMBLY PARTS

POSITION NUMBER	PART NAME
4	SCREW (3.9*9.5)
27	COOKTOP ANGLE IRON (LEFT / RIGHT)
28	REAR TOP PANEL
29	REAR PANEL
30	TERMINAL BOX
31	POWER CORD
32	SIDE PANEL
33	REAR PLINTH
34	ADJUSTABLE WHEEL
36	FRONT PLINTH
38	EXHAUST
80	ELECTRICAL KOMPONENT CONTACT SCREW
82	CAPILLARY THERMOSTAT (ELECTRIC GRILL)
148	CONCRETE WEIGHT
194	REAR BOTTOM LID
212	EXHAUST PROTECTION COVER
229	EXTRA BOTTOM SUPPORT
250	GAS-ON-GLASS HOB IGNITOR HOLDER
290	BATTERY BOX
291	BATTERY
398	TERMINAL BOX COVER PLASTIC

"The exploded views given in this document are generic. They include all possible versions of the product.

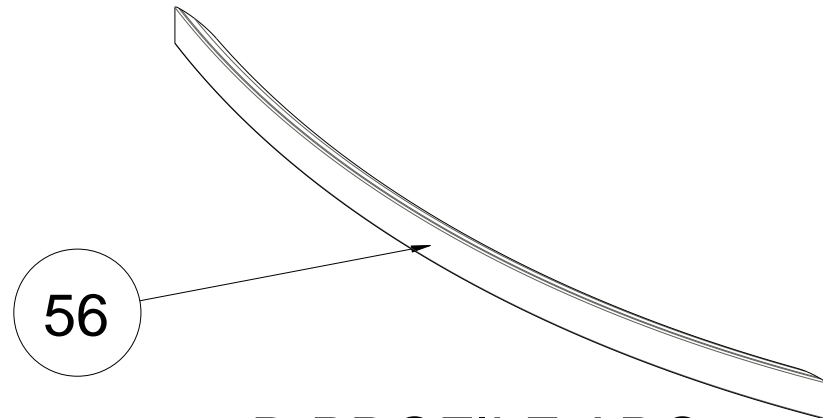
For specific part codes, please refer to the bom list of regarding model."

OVEN DOOR HANDLES (OPTIONAL)
HANDLES WITHOUT TAP & BRACKET



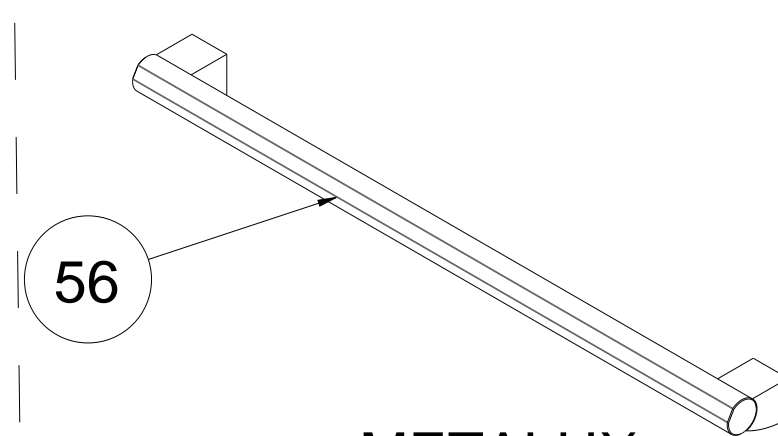
56

ELLIPSE ARC



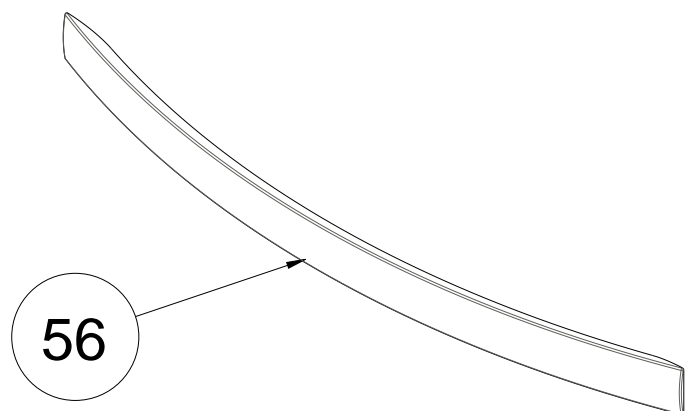
56

D PROFILE ARC



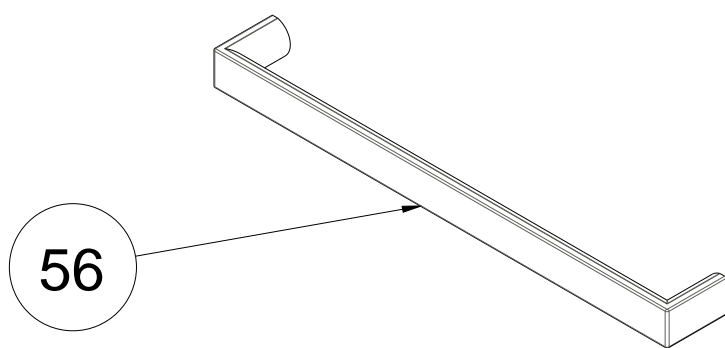
56

METALUX



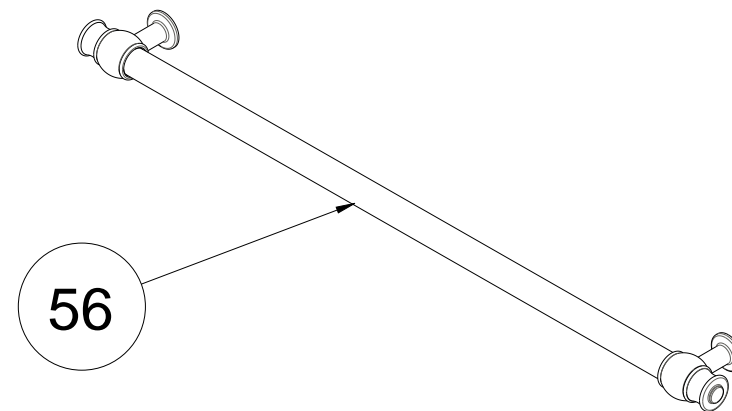
56

D PROFILE ARC, ELECTROLUX
(ONLY FOR FS - OPTIONAL)



56

FNP (ONLY FOR BUILT-IN -
OPTIONAL)

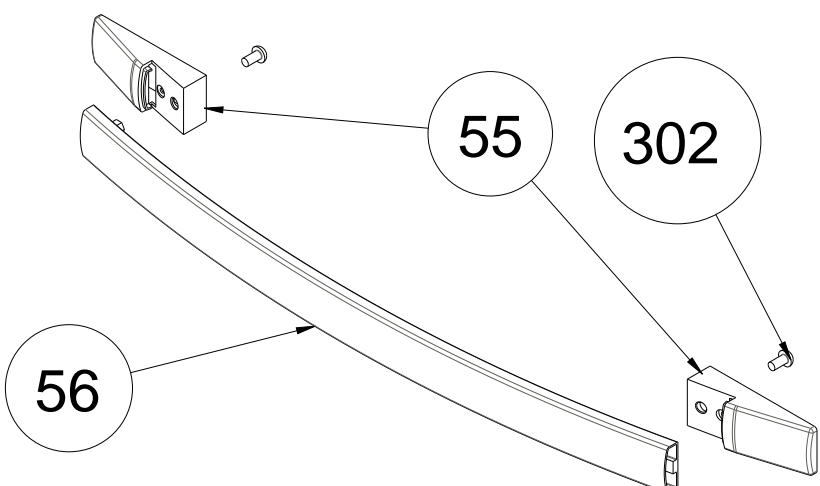


56

RUSTIC

HANDLES WITH BRACKET

HANDLES WITH TUNNEL TAP

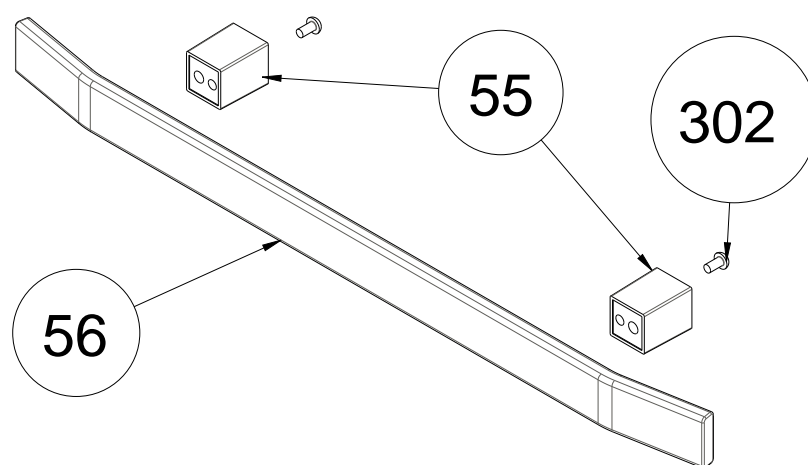


56

55

302

ARC QUADRANGLE

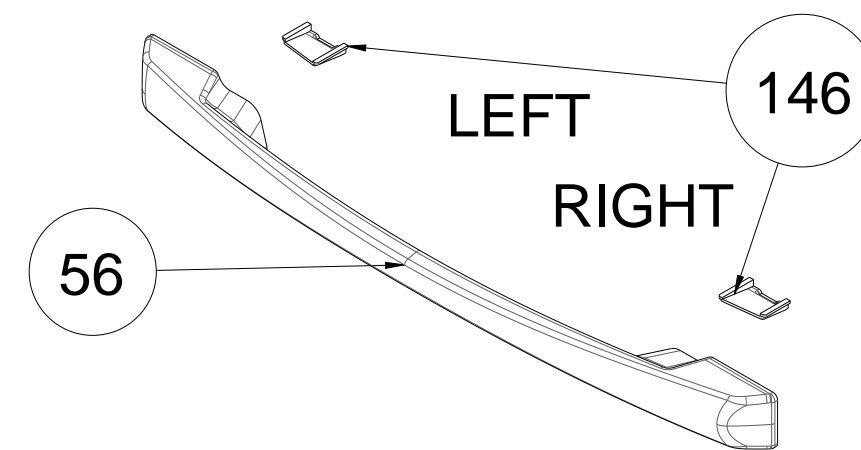


56

55

302

3D QUADRANGLE (ONLY FOR
FS/ NEW G/ BUILT-IN - OPTIONAL)



56

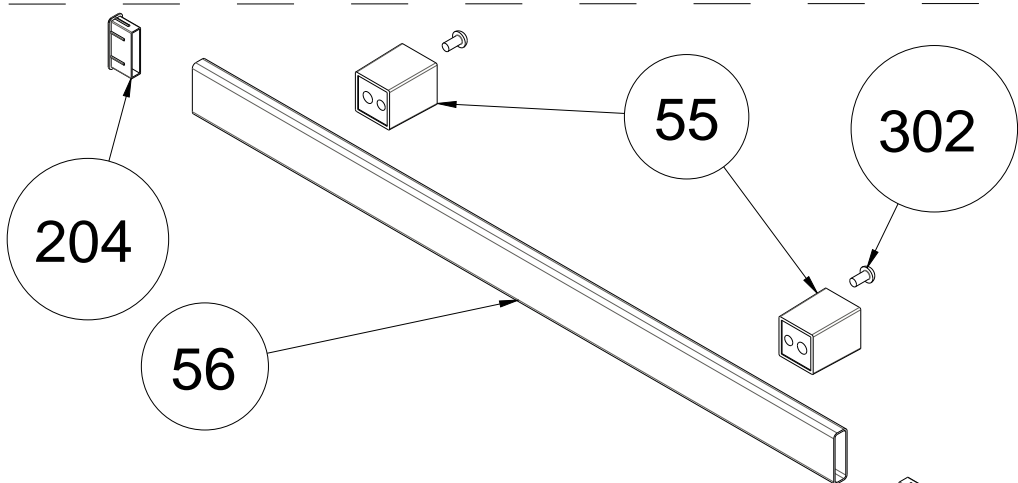
LEFT

RIGHT

146

NO FAN TYPE (ONLY FOR
BUILT-IN - OPTIONAL)

HANDLES WITH TAP & BRACKET



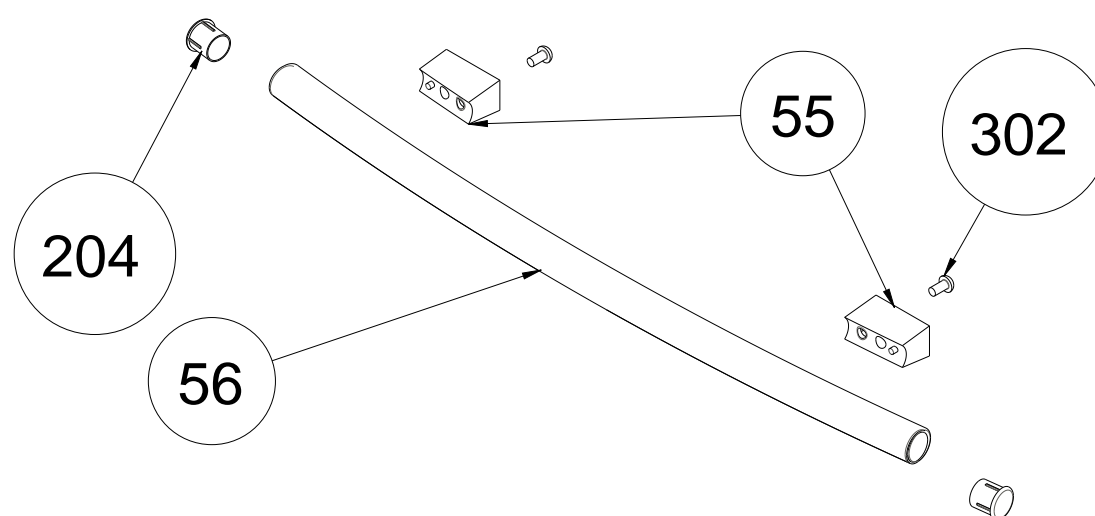
204

56

55

302

FLAT QUADRANGLE
(ONLY FOR FS/ NEW G/ BUILT-IN - OPTIONAL)



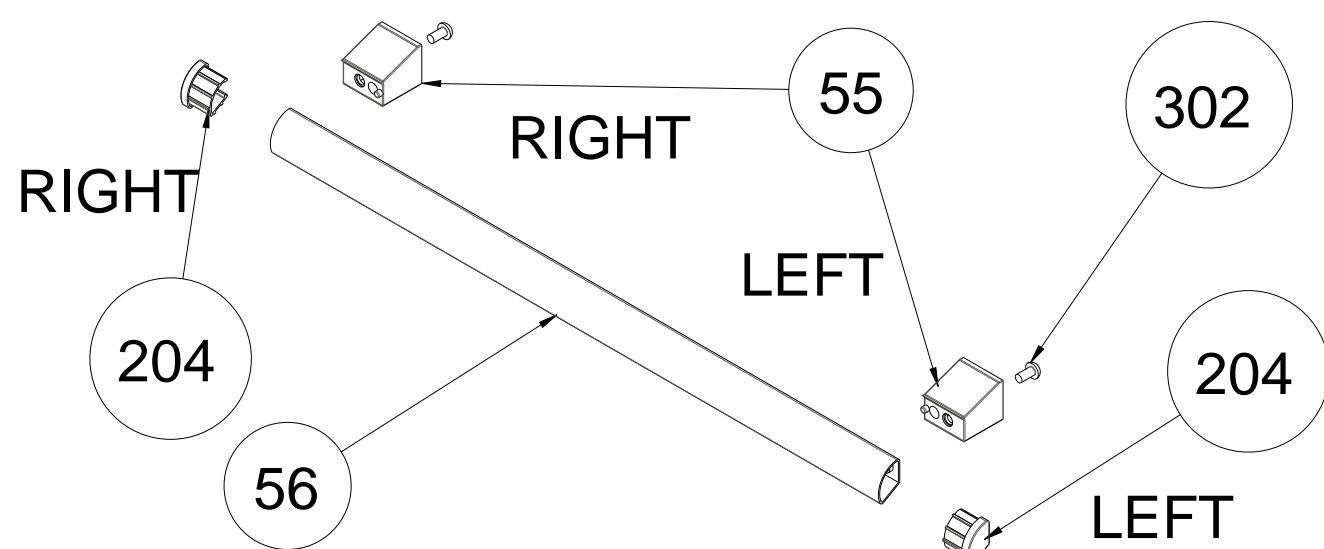
204

56

55

302

ARC TUBE



RIGHT

204

56

RIGHT

LEFT

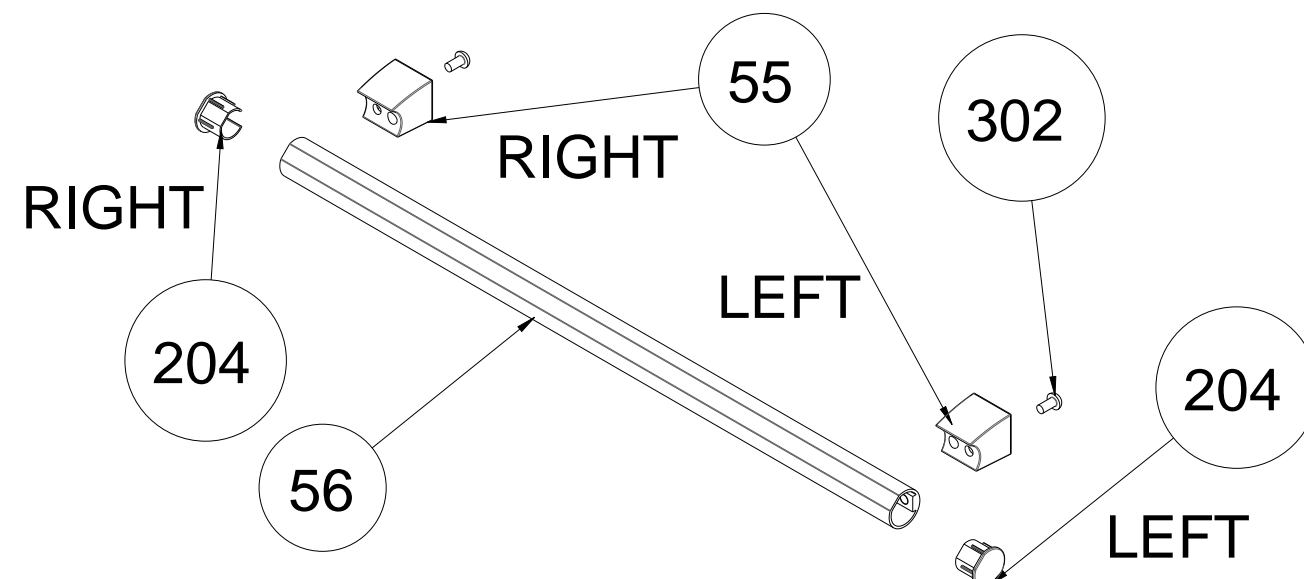
55

302

204

LEFT

FLAT SLICE



RIGHT

204

56

RIGHT

LEFT

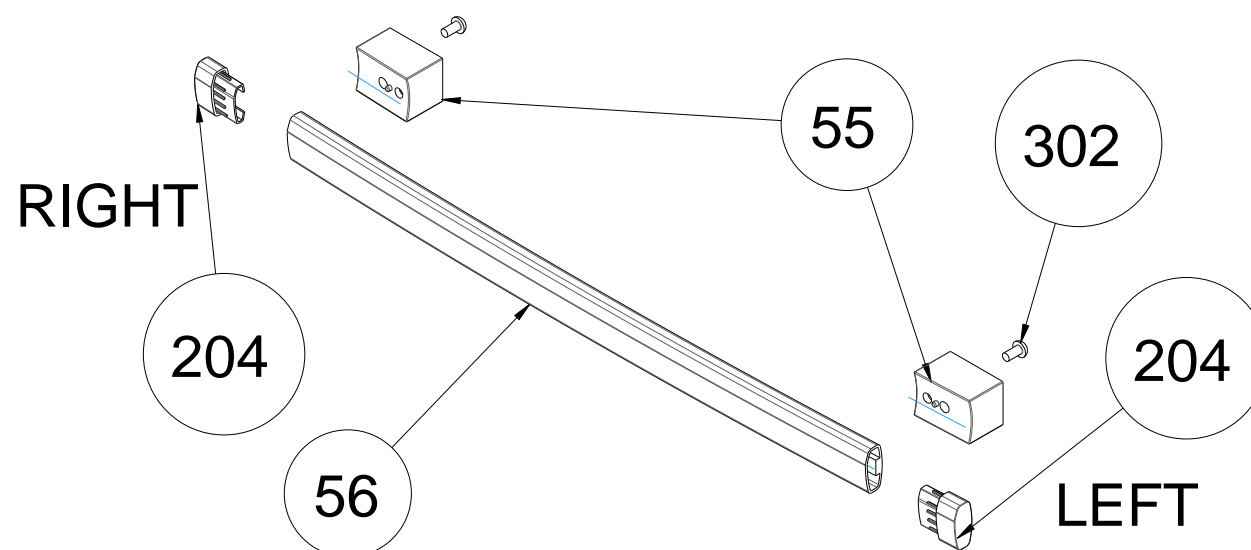
55

302

204

LEFT

TRIO



RIGHT

204

56

55

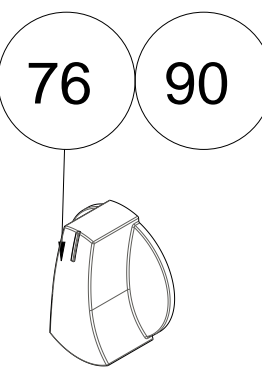
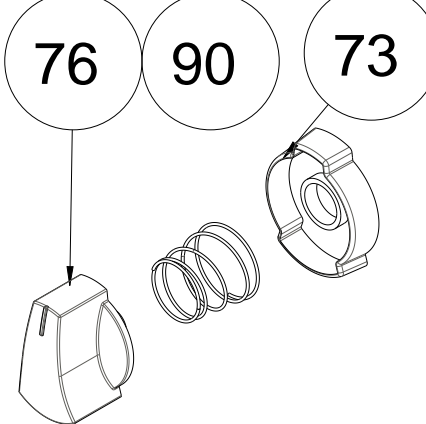
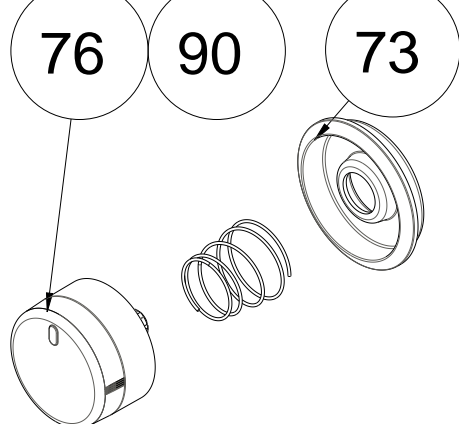
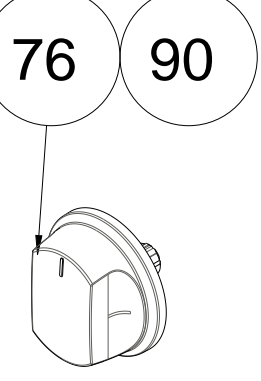
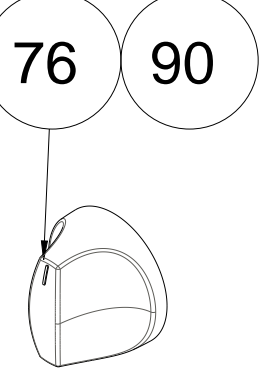
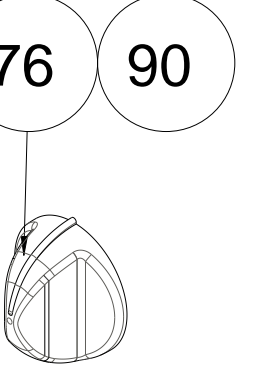
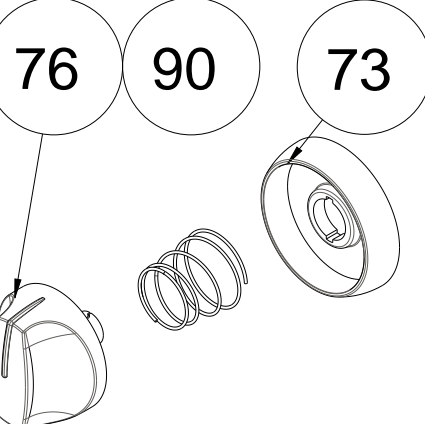
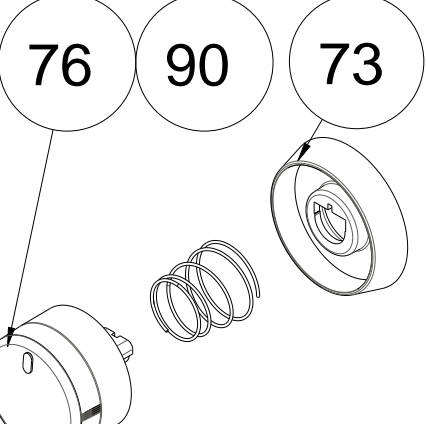
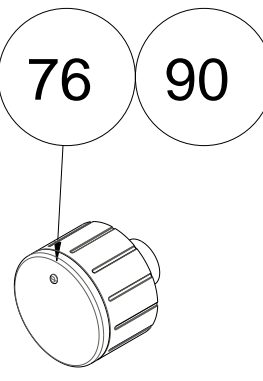
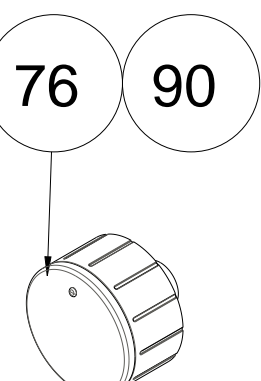
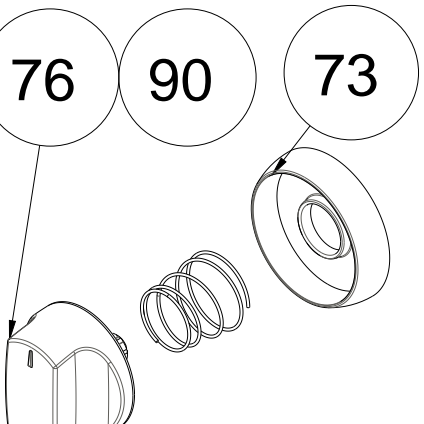
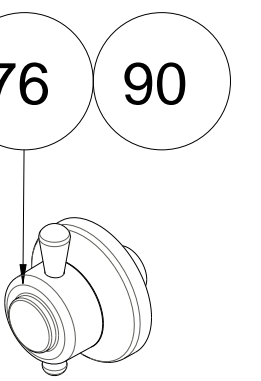
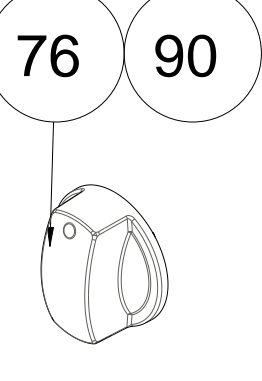
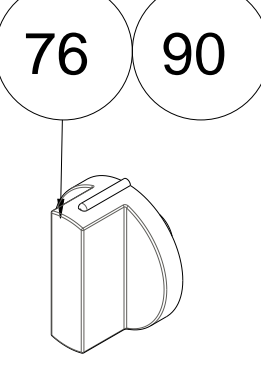
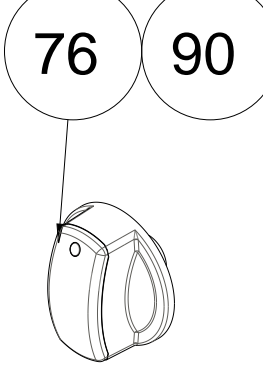
302

204

LEFT

CURVED QUADRANGLE

KNOBBS (ONLY FOR FS - OPTIONAL)

 <p>76 90</p> <p>DELTA</p>	 <p>76 90 73</p> <p>DELTA RING</p>	 <p>76 90 73</p> <p>SIGMA (SMALL)</p>	 <p>76 90</p> <p>ALFA</p>	 <p>76 90</p> <p>GAMA</p>	 <p>76 90</p> <p>ZETA</p>
 <p>76 90 73</p> <p>ELECTROLUX</p>	 <p>76 90 73</p> <p>SIGMA KD</p>	 <p>76 90</p> <p>SMALL MACRO</p>	 <p>76 90</p> <p>BIG MACRO</p>	 <p>76 90 73</p> <p>TRIO</p>	 <p>76 90</p> <p>RUSTIC RISUS</p>
 <p>76 90</p> <p>ECLIPSE</p>	 <p>76 90</p> <p>NORD</p>	 <p>76 90</p> <p>JANNU</p>			