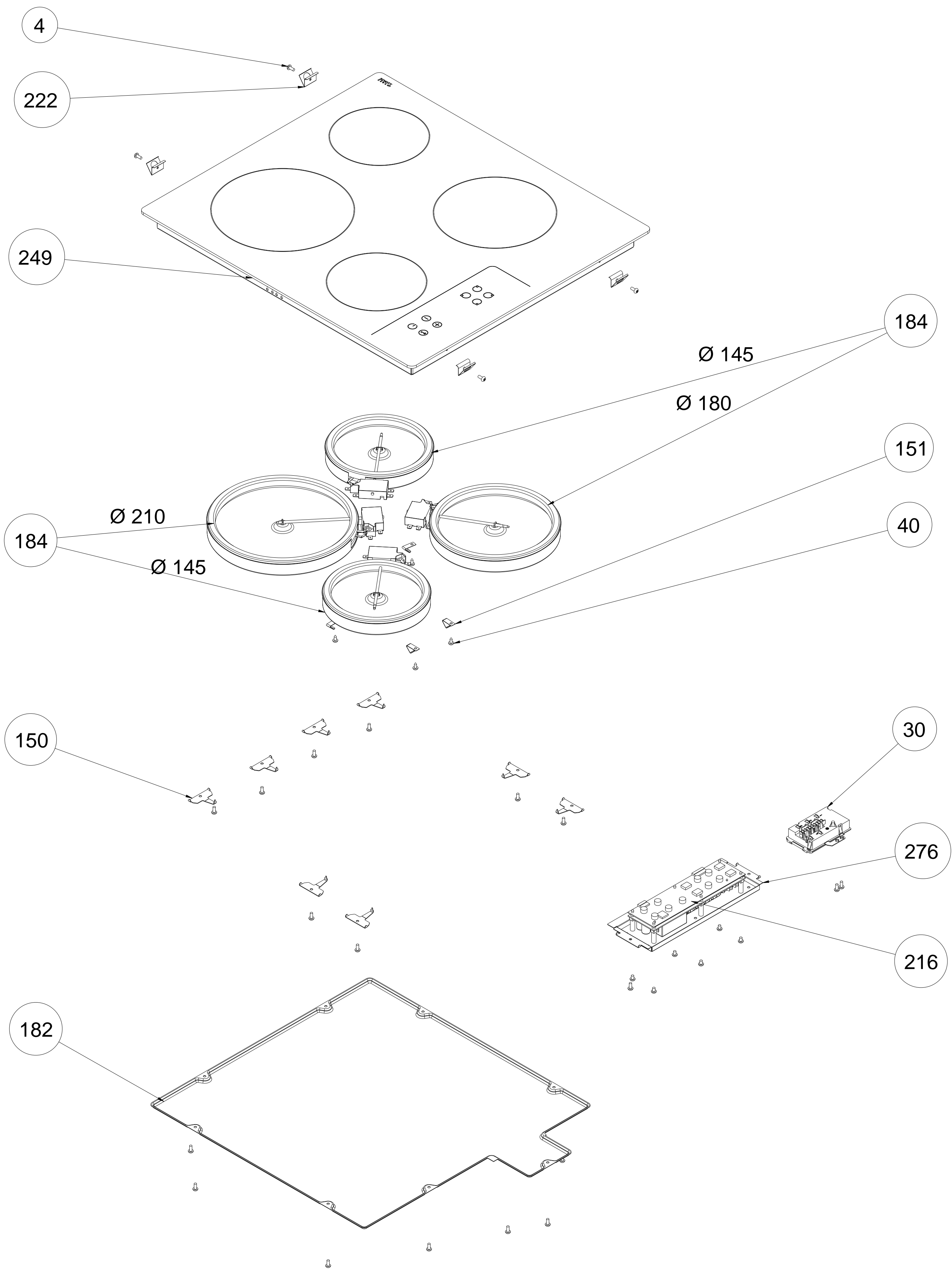


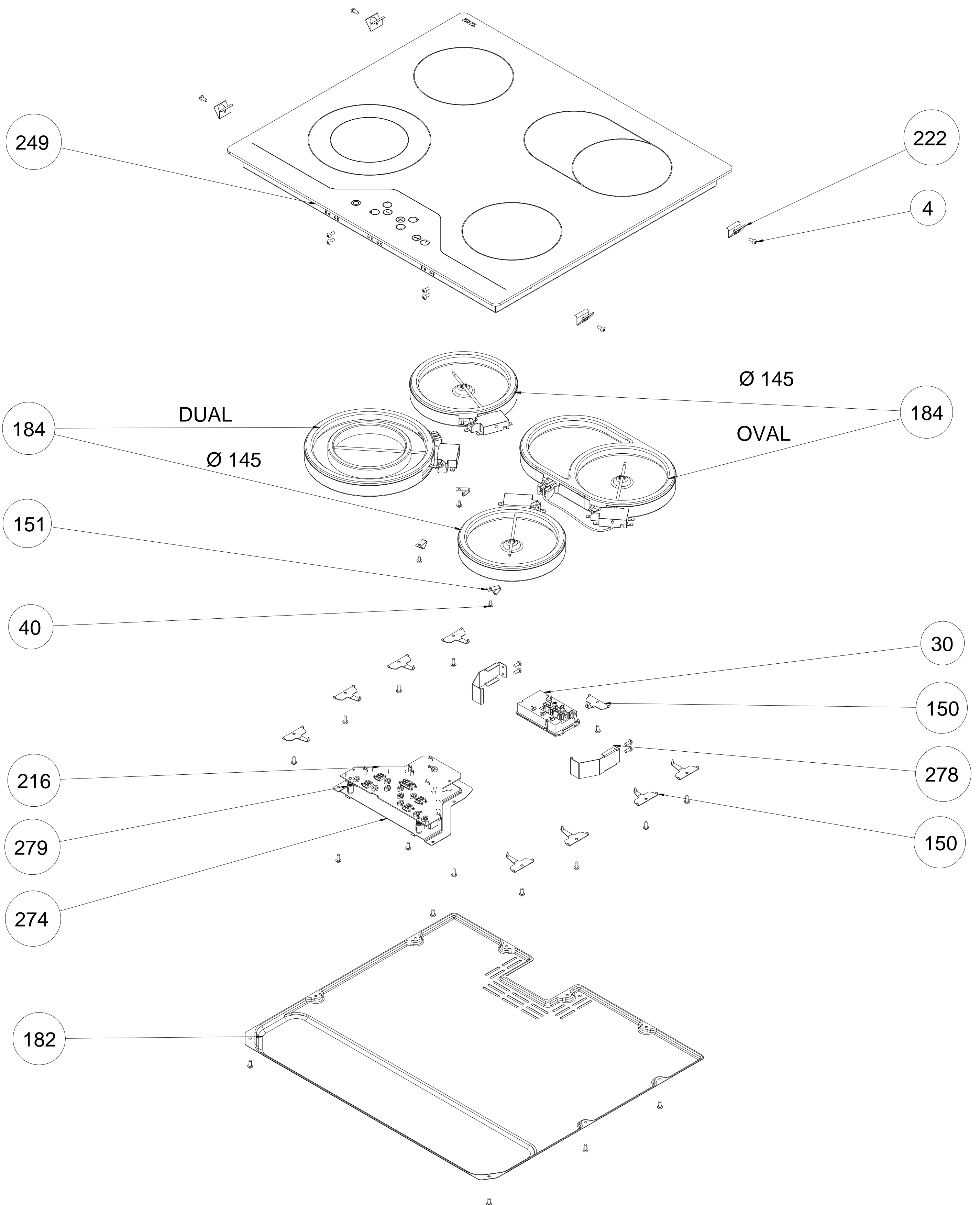
EXPLODED VIEW - RIGHT SIDE KNOB

CONTROL VITROCERAMIC HOB ASSEMBLY

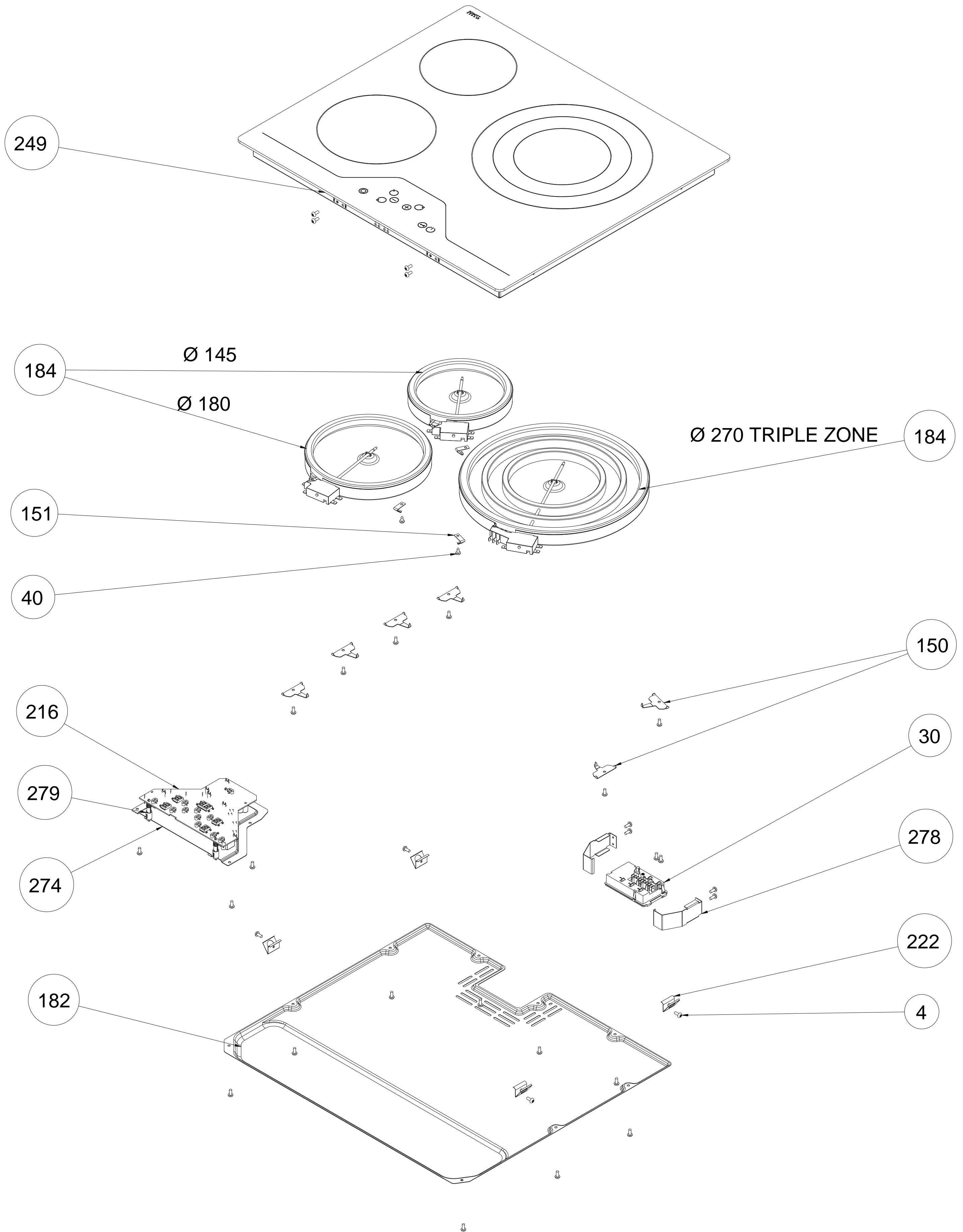


EXPLODED VIEW - RIGHT SIDE

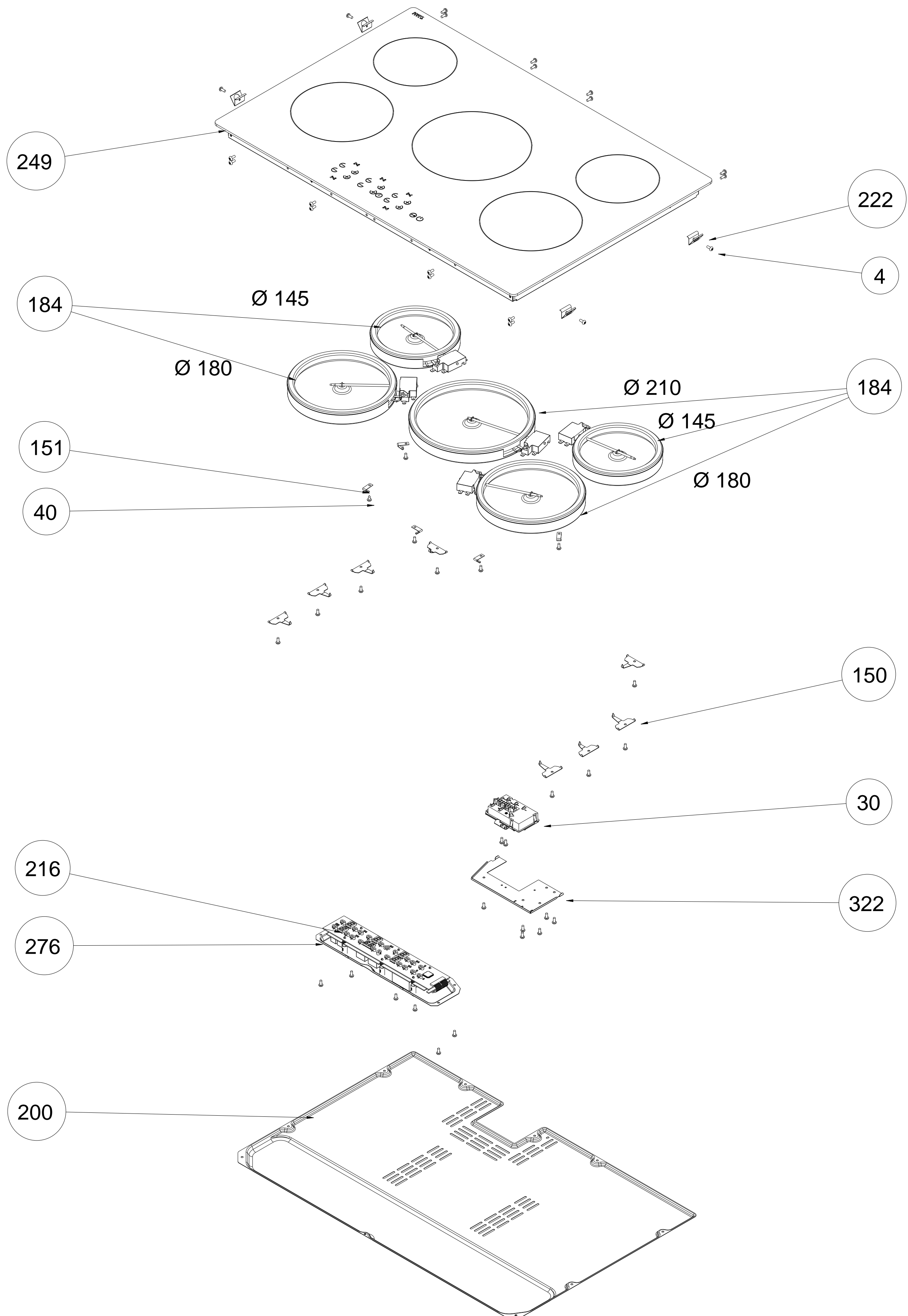
TOUCH CONTROL VITROCERAMIC HOB ASSEMBLY



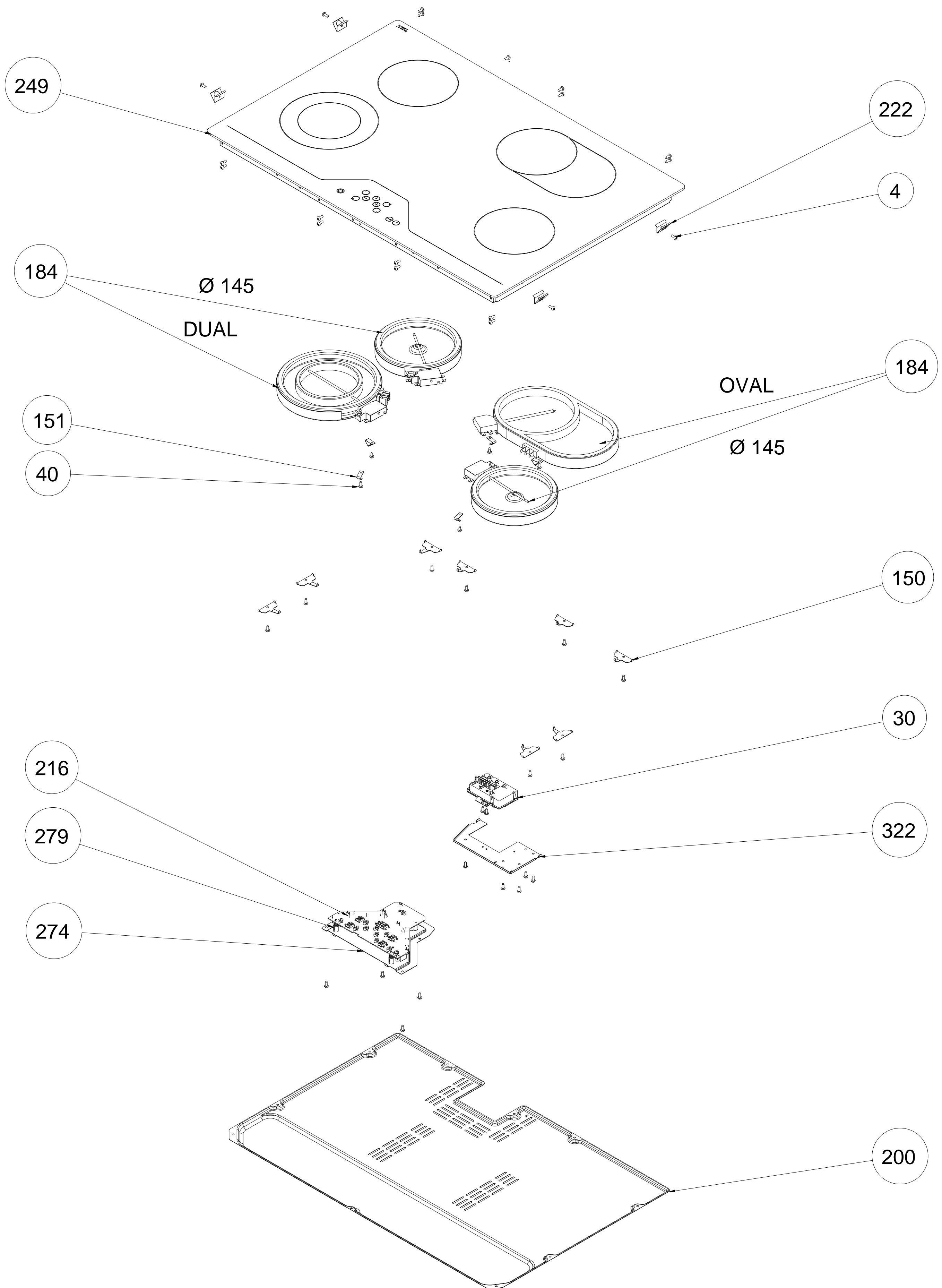
EXPLODED VIEW - FRONT SIDE TOUCH CONTROL VITROCERAMIC HOB ASSEMBLY



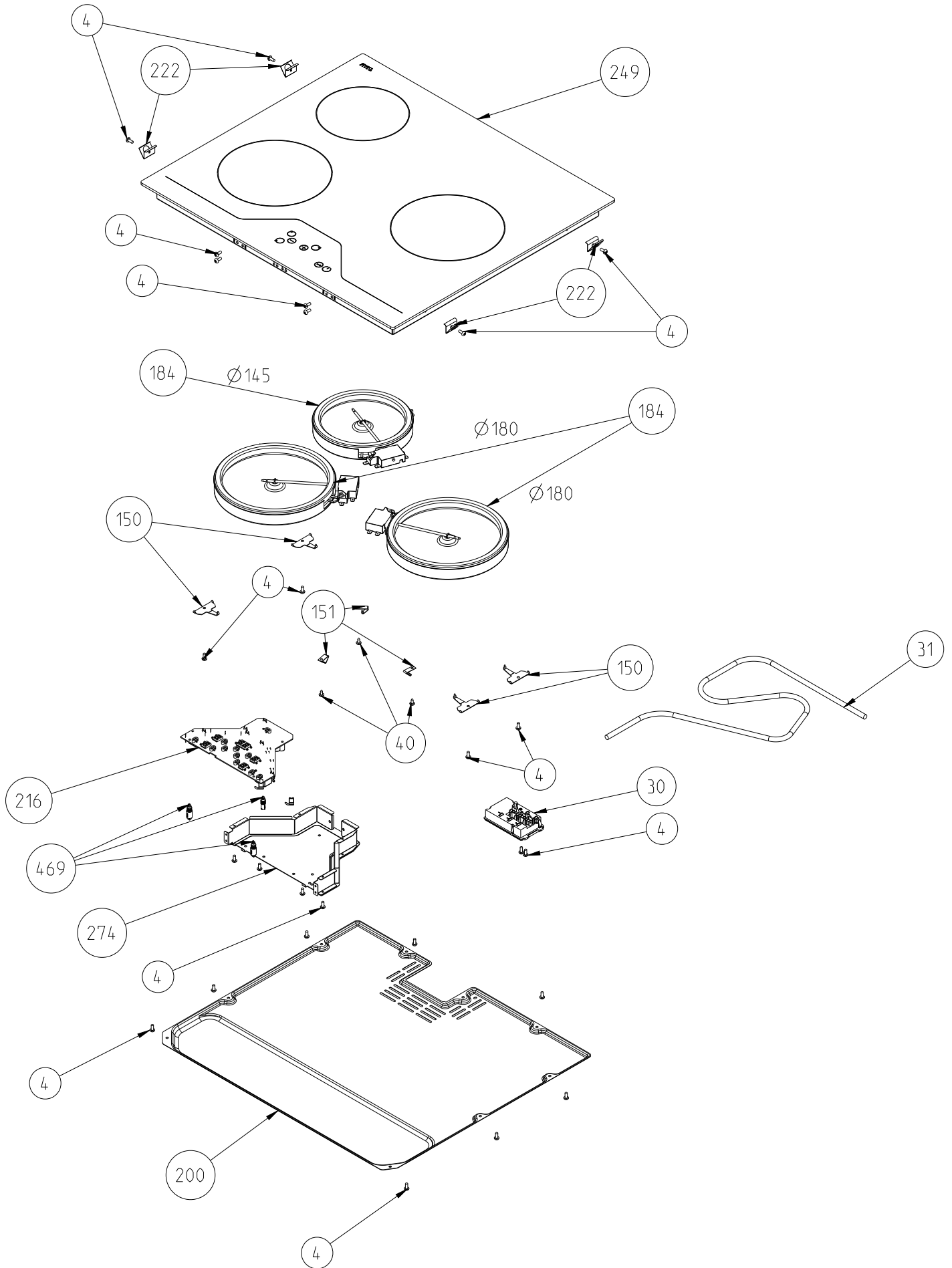
EXPLODED VIEW - FRONT SIDE TOUCH CONTROL VITROCERAMIC HOB ASSEMBLY



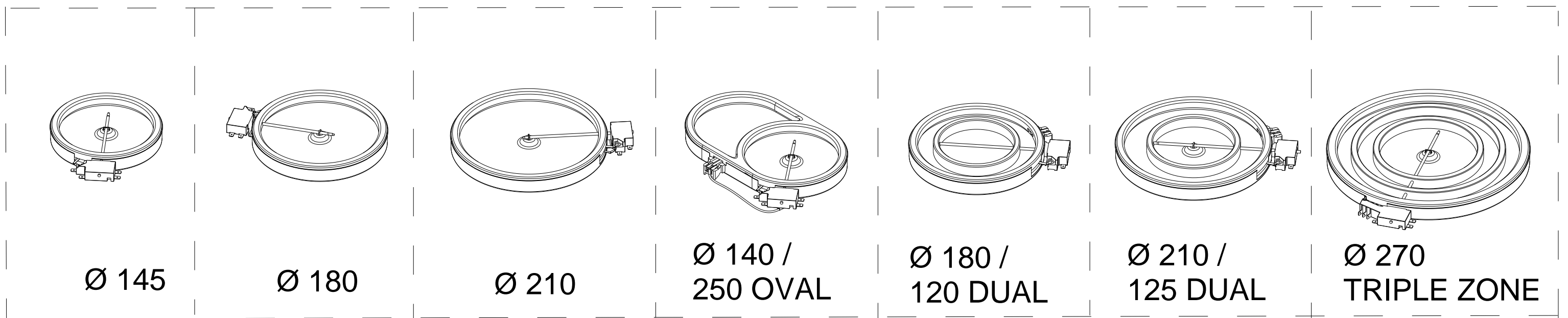
EXPLODED VIEW - RIGHT SIDE TOUCH CONTROL VITROCERAMIC 78 CM HOB ASSEMBLY



EXPLODED VIEW - FRONT SIDE TOUCH CONTROL VITROCERAMIC 78 CM HOB ASSEMBLY



EXPLODED VIEW - FRONT SIDE TOUCH CONTROL VITROCERAMIC HOB ASSEMBLY



HIGHLIGHT HEATING (OPTIONAL)



KNOBS (OPTIONAL)

HOB ASSEMBLY PART

POSITION NUMBER	PART NAME
4	SCREW (CONEHEADED, 3.9*9.5)
8	HOT SURFACE INDICATOR LIGHT
22	HOT SURFACE INDICATOR LIGTH HOLDER(C SERIE)
30	TERMINAL BOX
31	POWER CORD (UNPLUGGED,WHITE)
40	SCREW (KNURLED, 3.5*9.5)
80	ELECTRICAL KOMPONENT CONTACT SCREW
90	KNOB-ELECTRICAL
150	HEATING ELEMENT ASSEMBLY SPRING T TYPE(10MM,14MM,22 MM)
151	HEATING ELEMENT ASSEMBLY SPRING V TYPE
167	KNOB GASKET (CERAN)
184	HIGHLIGHT HEATING
188	ENERGY REGULATOR
200	FR HOB BOTTOM COVER
216	TOUCH CONTROL UNIT
222	HOB ASSEMBLY SPRING
249	CERAMIC GLASS ASSEMBLY
273	SD HOB BOTTOM COVER
274	FRTR SUPPORT
275	REGLER COVER
276	SIDE TOUCH CONTROL UNIT SUPPORT
277	REGLER SUPPORT
278	TERMINAL BOX HEAT SHIELD
279	FRTR TC CONTROL SPRINGLOADED FIXING POST
322	TERMINAL BOX HOLDER
469	FIXING BOLT WIT SPRING

"The exploded views given in this document are generic. They include all possible versions of the product.For specific part codes,please refer to the bom list of regarding model."