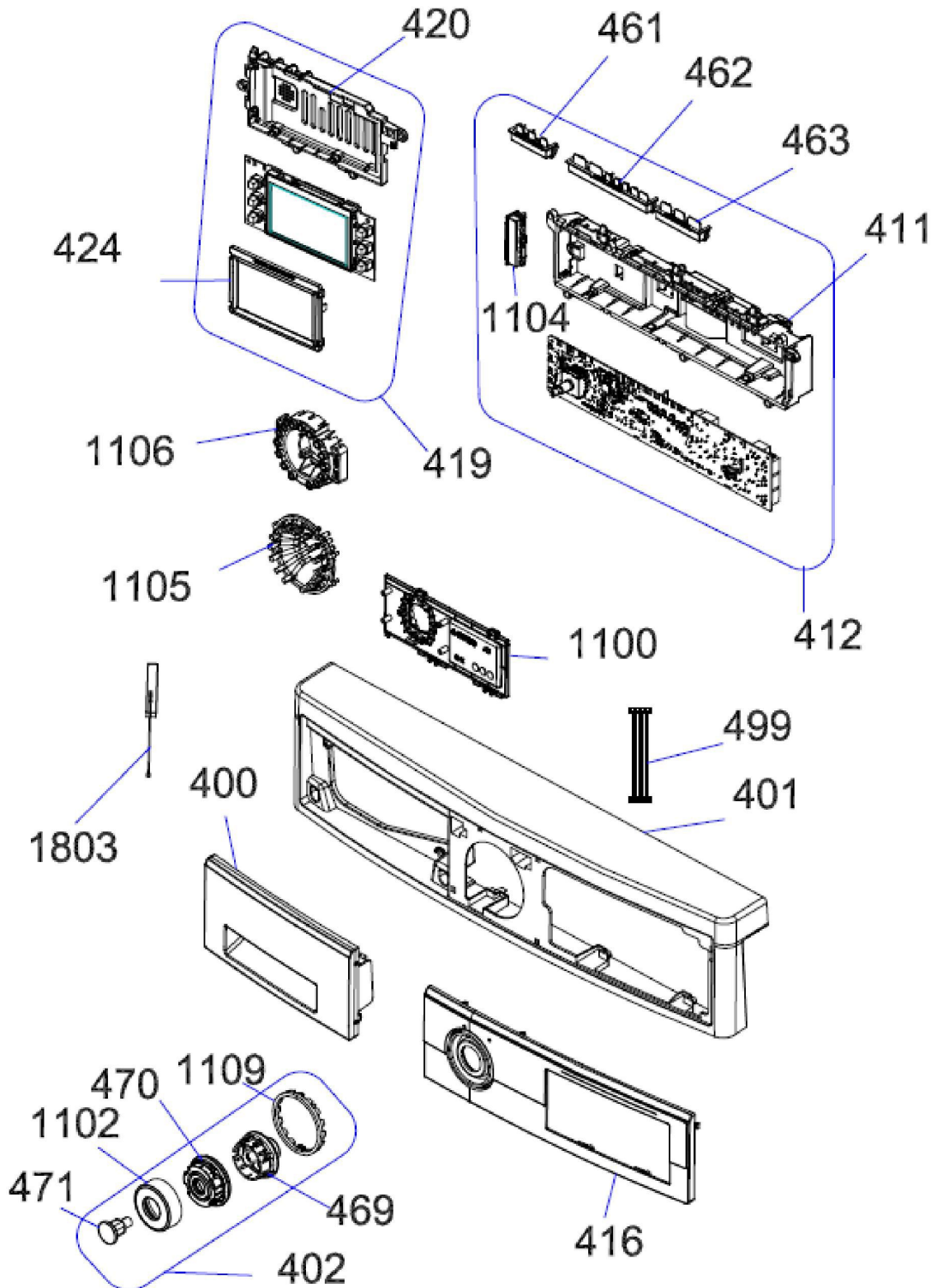


1 - CONTROL PANEL PARTS

1.1. Exploded View



	TFT WIFI JOGDIAL BLDC EXPLODED VIEW
--	-------------------------------------

1.2. Spare Part List

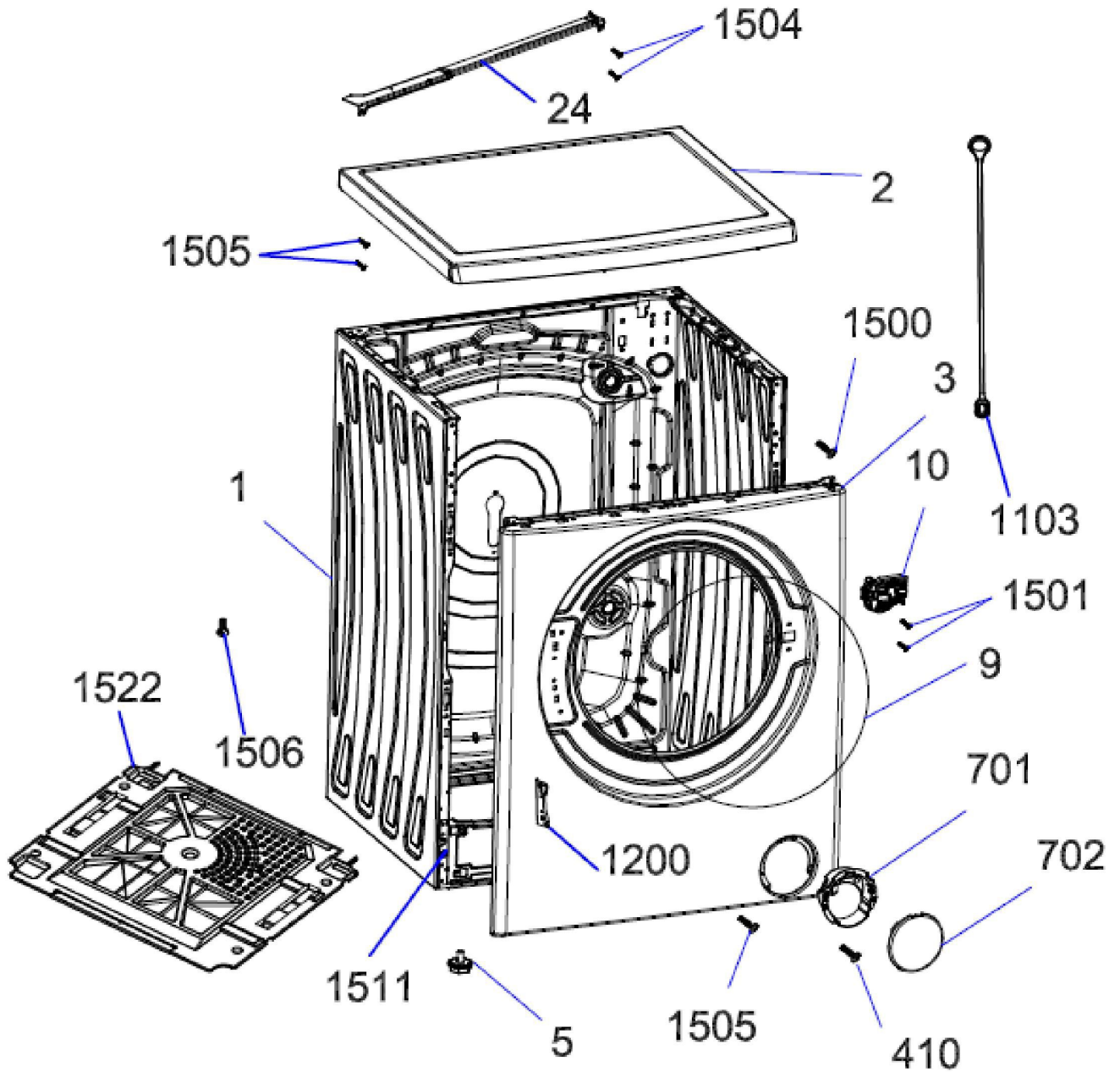
NO	PART NAME	QUANTITY
400	DETERJAN DRAWER COVER	1
401	CONTROL PANEL	1
402	PR. ADJ.KN GR	1
411	PCB BOX	1
412	ELECTRONIC CARD GR.	1
416	CONTROL PANEL INSERT	1
419	TFT CARD GR	1
420	TFT CARD	1
424	TFT FRAME	1
461	SOCKET HOLDER-J1	1
462	SOCKET HOLDER-J2	1
463	SOCKET HOLDER-J3	1
*469	PROGRAM SELECTION KNOB INSERT	1
*470	PR. SELECTION KNOB BODY	1
*471	PR. SELECTION KNOB COVER	1
499	LCD COMMUNICATION CABLE	1
500	CONTROL PANEL GR.(400+401+402+483+1114)	1
1100	PCB BOX REAR COVER	1
*1102	PROGRAM SELECTION KNOB RING	1
1104	SOCKET HOLDER-J4	1
1105	LIGHTGUIDE SPACER	1
1106	LIGHTGUIDE COVER	1
1109	PROGRAM SELECTION KNOB RING	1
1803	ANTEN WIFI IPEX-300mm 2.4&5GHZ ROHS	1

***469-470-471-1102 – 1109 - 1803 “This spare part is optional and depends on agreed specifications. Therefore you may not find this position number in product’s spare part list.”**

TFT WIFI JOGDIAL BLDC EXPLODED VIEW

2 - FRONT PANEL PARTS

2.1. Exploded View



	TFT WIFI JOGDIAL BLDC EXPLODED VIEW
--	-------------------------------------

2.2. Spare Part List

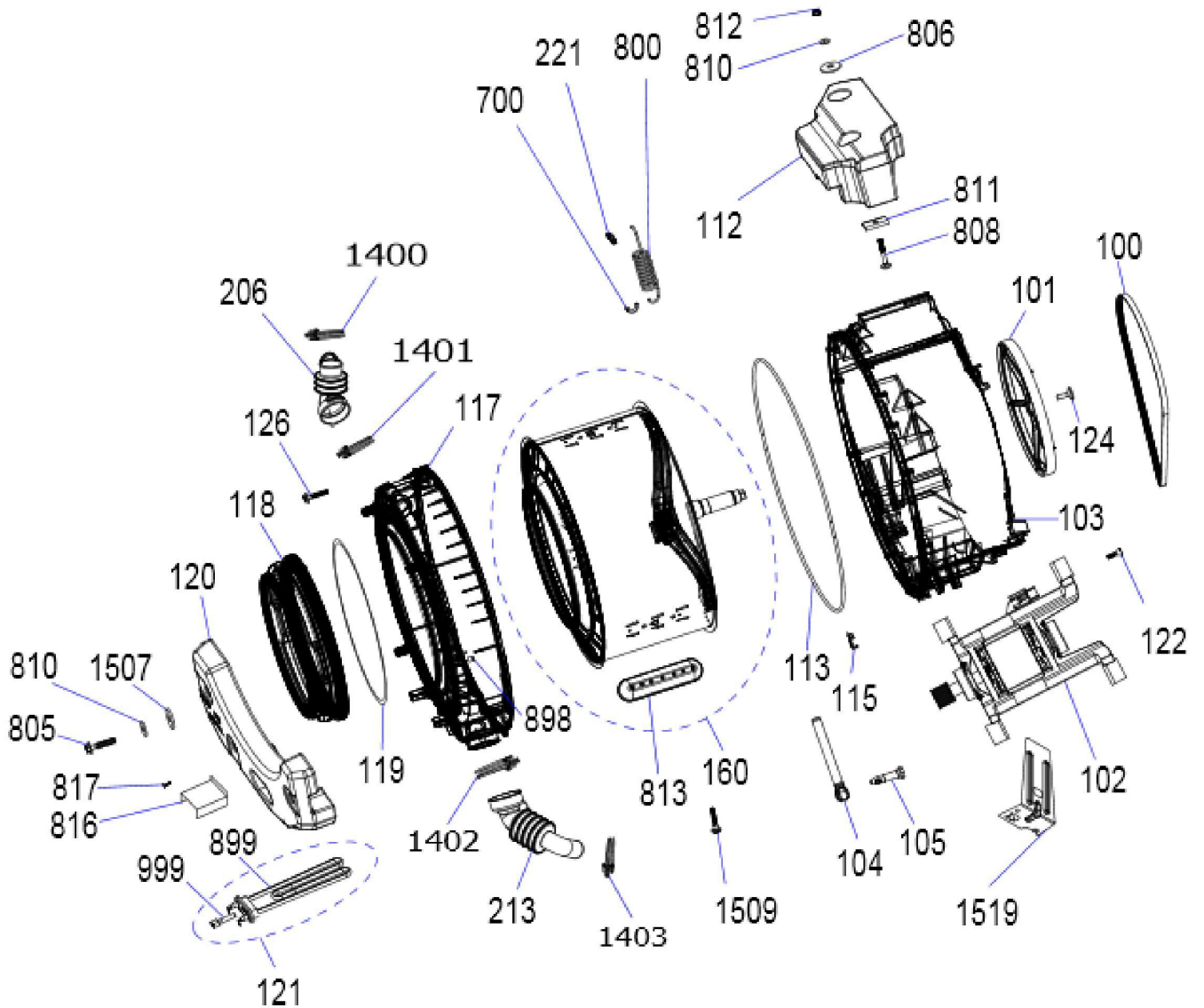
NO	PART NAME	QUANTITY
1	BODY GROUP PAINTED	1
2	UPPER TRAY GROUP	1
3	FRONT PANEL GROUP	1
5	ADJUSTABLE FEET	4
9	BODY-GASKET CLAMP	1
10	DOOR LOCK	1
24	UPPER SUPPORT BRAKET	1
410	SCREW 4X12 TORX PAN HE.W.COL.UND.HE.SER.	1
701	PUMP COVER HOUSING	1
702	PUMP COVER	1
*1103	EMERGENCY LOCK RELEASE	1
1200	HINGE SUPPORT SHEET	1
*1315	FLOOR PLASTIC GR	1
1500	ST 4,8X9,5 PAN HE.WITH COL.TORX UN.SER.E	4
1501	ISO 7049 ST 4,2X16 TORX	2
1504	ISO 7049 ST 4,2X13 TORX	2
1505	ST 4,2X9,5 TRTSB	5
*1506	SCREW TT M4X8 TSB	1
1511	FRONT PANEL DROP FIXING PLASTIC-I-B	2
*1522	FLOOR PLASTIC GR	1

***1103 - 1315 – 1506 - 1522 “This spare part is optional and depends on agreed specifications. Therefore you may not find this position number in product’s spare part list.”**

TFT WIFI JOGDIAL BLDC EXPLODED VIEW

3 - WASHING DRYER GROUP PARTS

3.1. Exploded View



TFT WIFI JOGDIAL BLDC EXPLODED VIEW

3.2. Spare Part List

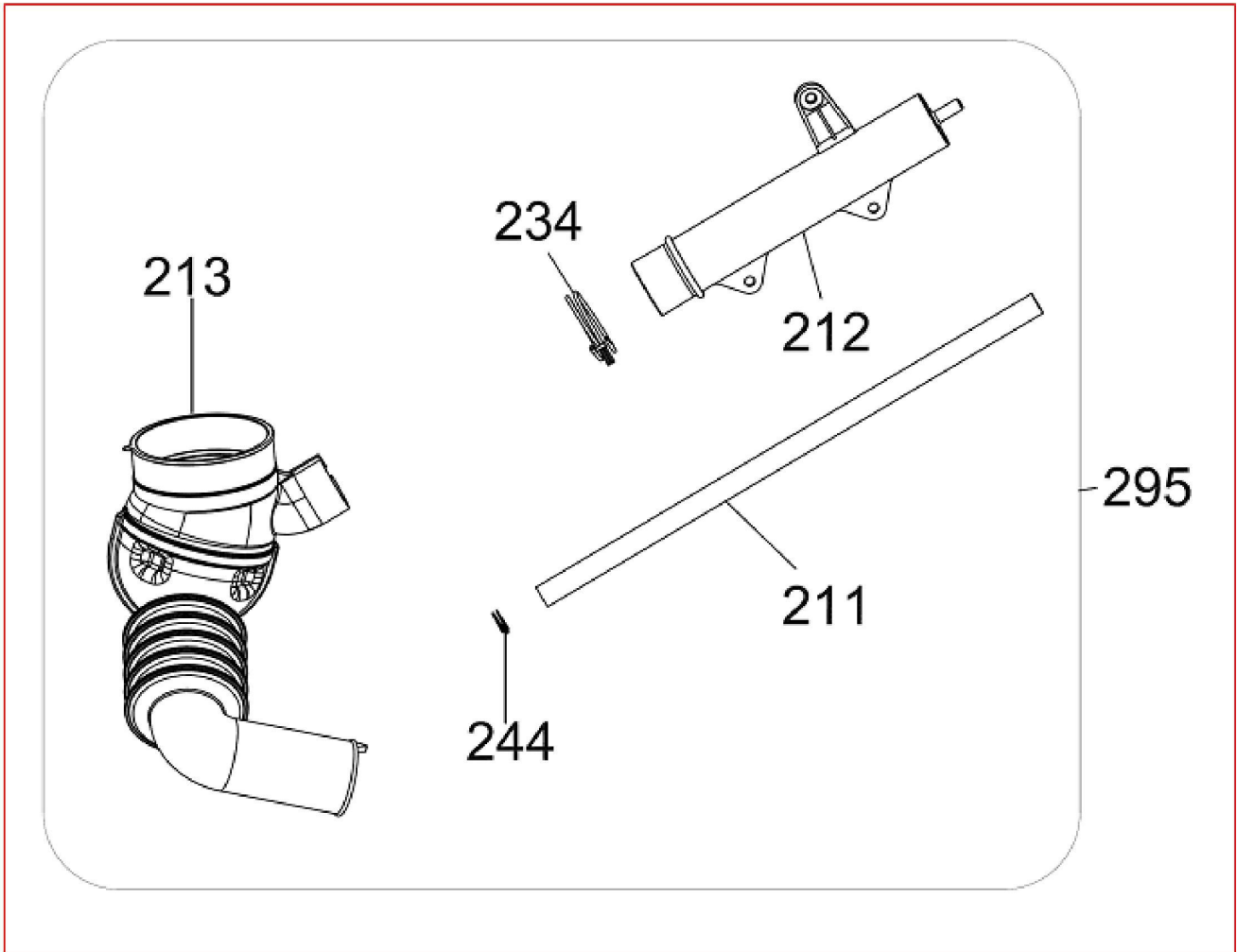
REF. NO	PART NAME	QTY
100	BELT	1
101	DRIVEN PULLEY	1
102	MOTOR	1
103	REAR TUB GROUP	1
104	SHOCK ABSORBER	2
105	SHOCK ABSORBER PIN	4
112	UPPER CONCRETE WEIGHT	1
113	TUB SEAL	1
115	RESISTANCE FIXING WIRE	1
117	FRONT TUB	1
118	TUB BELLOWS SEAL	1
119	TUB GASKET CLIP	1
120	FRONT CONCRETE WEIGHT	1
121	RESISTANCE GR	1
122	SCREW FIXING MOTOR-REAR TUB ASSY.(COUNTERSUNK HEAD BOLT 8X28 TORX)	4
124	BOLT FIXING DRIVEN PULLEY-DRUM SHAFT ASSY. (37020184 SCREW M8x29 THB)	1
*126	BOLT FIXING FRONT TUB-REAR TUB ASSY.(HEXAGON HEAD BOLT 6X30 PT)	*19/24
160	DRUM GROUP	1
206	TUB ENTERANCE WITH BELLOW HOSE	1
213	TUB EXIT BELLOW HOSE WITH BALL	1
221	HANGER SPRING SHEETIRON PLS	2
700	TUB HANGER SPRING PART	2
800	TUB SPRING-PYTHON	2
805	HEXAGON HEAD BOLT 10 X 52	4
806	PLAIN WASHER 8.4X28X3	2
808	MUSHROOM HEAD SQUARE NECK BOLT M 8X65	2
810	WASHER USED AT COUNTERWEIGHT-TUB ASSYS. (CONICAL SPRING WASHER 8.4X18X2 (DIN 6796) (SAFETY))	6
811	UPPER COUNTERWEIGHT BOLT SUPPORT SHEET	2
812	NUT FIXING UPPER COUNTERWITGHT-TUB ASSY. (HEX.NUT WITH FLANGE SERRATED M8 DIN6923)	2
813	PLASTIC LIFTER	3
*816	RESISTANCE PROTECTION FOIL-1-C	1
*817	SCREW FIXING RES. PROT. FOIL-TUB ASSY.(SCREW 3,5X7PAN HEAD WITH COLAR CROSS RE.)	2
898	PSW HOSE MOUNTING RUBBER-10MM	1
899	RESISTANCE WITHOUT NTC	1
999	NTC	1
1400	SCREWED HOSE CLAMP Ø65	1
1401	SPRING TYPE BANT CLAMP	1
1402	HOSE CLAMP SCREW TYPE Ø72	1
1403	HOSE CLAMP Ø38,8	1
1507	WASHER USED TO FIX FRONT COUNTERWEIGHT(PLAIN WASHER 10.5X40X2.5)	4
*1509	SCREW 4X14 PAN HEAD TORX INOX	3
1519	BRACKET_BLDC	1

***816 – 817-1400 -1509 “This spare part is optional and depends on agreed specifications. Therefore you may not find this position number in product’s spare part list.”**

***126 – “Mentioned material varies due to product capacity. Please control the amount of material over product then order.”**

4. PRESSURE SWITCH HOSE GROUP

4.1. Exploded View



4.2. Spare Part List

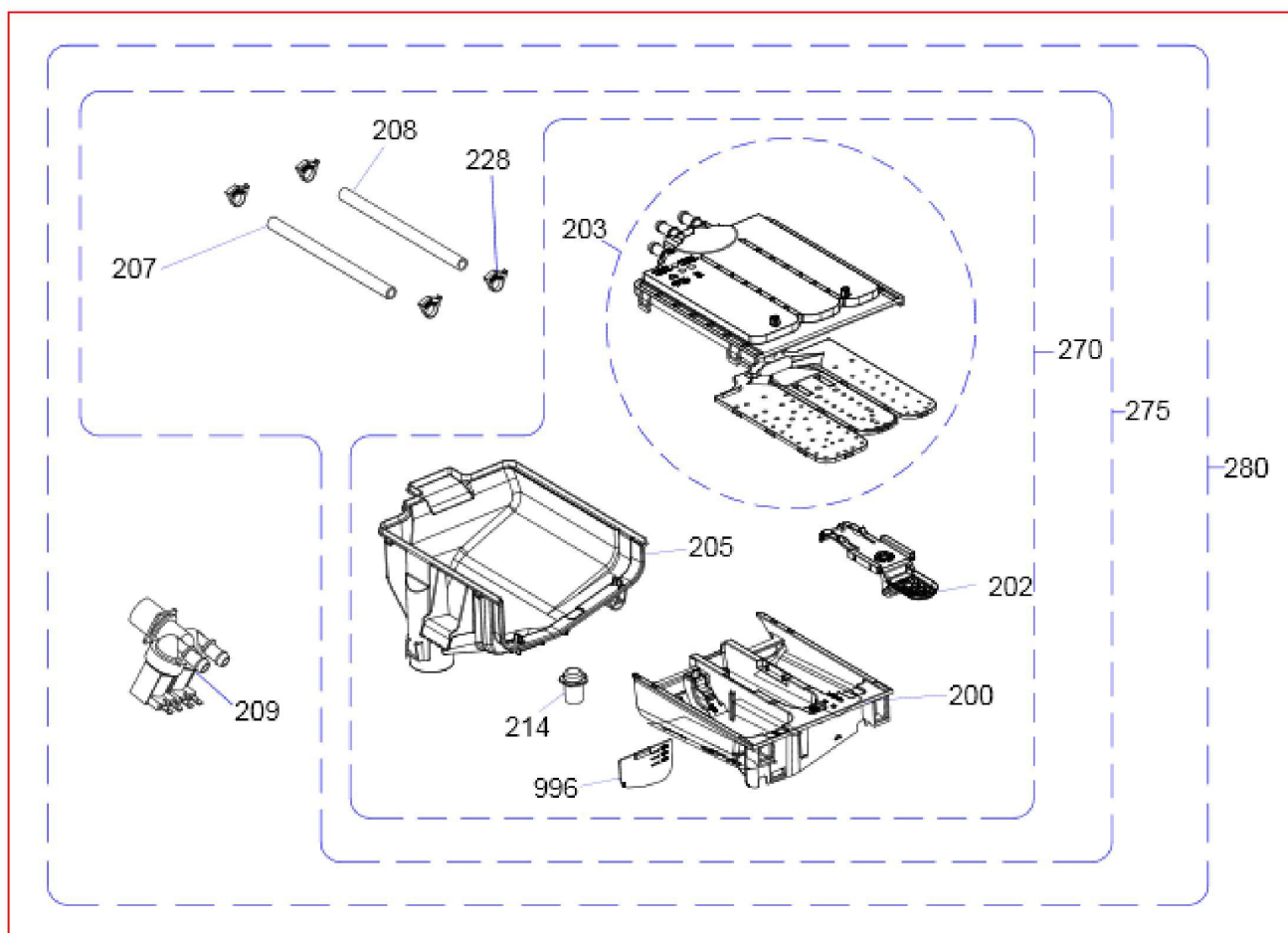
NO	PART NAME	QUANTITY
213	TUB EXIT WITH BELLOW HOSE	1
212	PRESSURE SWITCH WATER RESERVOIR	1
211	PRESSURE SWITCH HOSE	1
234	HOSE CLAMP Ø32,7	1
244	HOSE CLAMP Ø9,6	1
295	PRESSURE SWITCH HOSE GROUP	1

213-212-211-234-244----- PRESSURE SWITCH HOSE GROUP

TFT WIFI JOGDIAL BLDC EXPLODED VIEW

5 - DETERGENT DRAWER GROUP

5.1. Exploded View



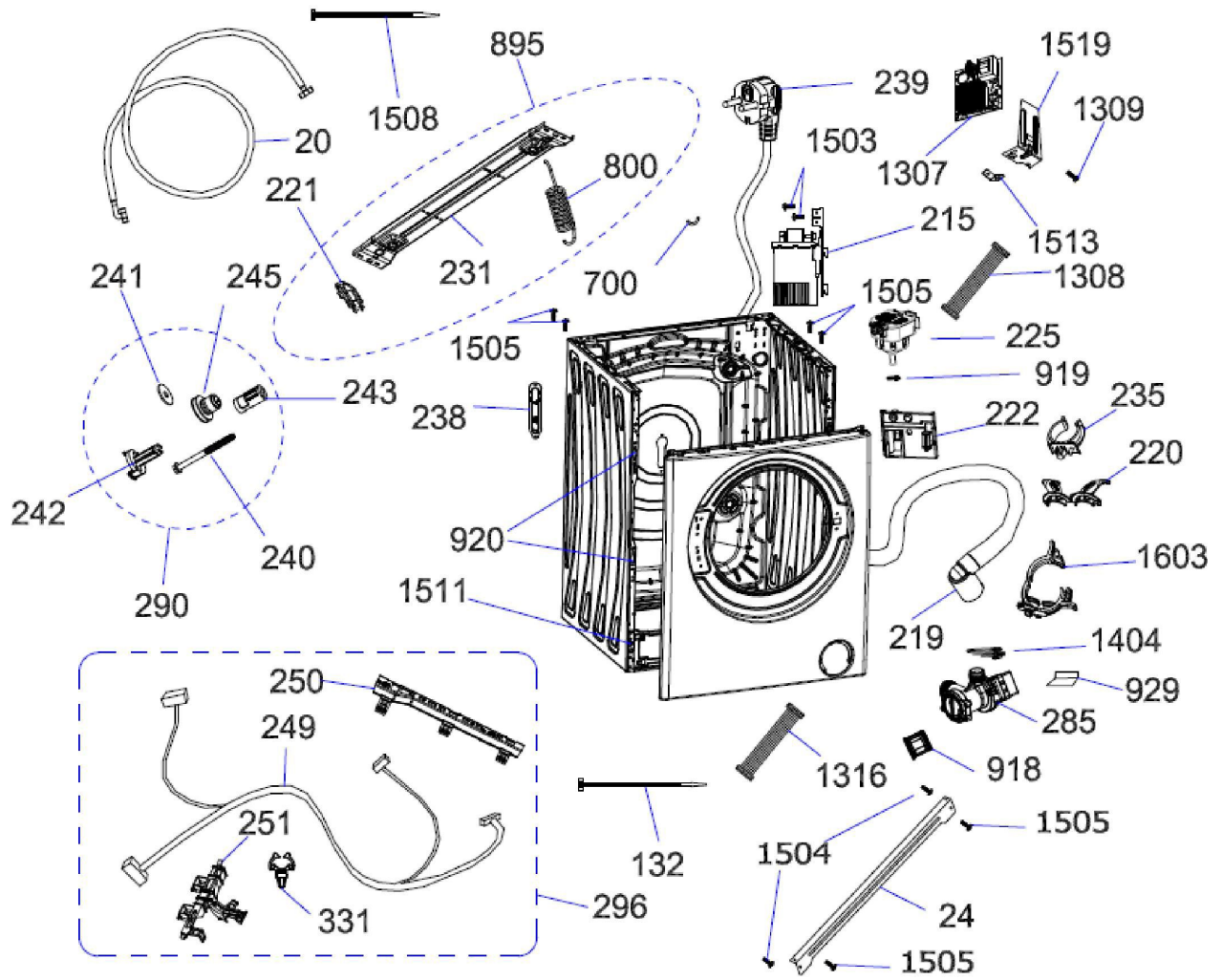
5.2. Spare Part List

NO	PART NAME	QUANTITY
200	DETERGENT DRAWER	1
202	SIPHON COVER	1
203	WATER DISTRIBUTION PLATE GROUP	1
205	DETERGENT DRAWER HOUSING	1
207	VALVE-DETERGENT BOX HOSE - 260	1
208	VALVE-DETERGENT BOX HOSE - 240	1
209	VALVE(TWO EXIT)	1
214	DETERGENT DRAWER LOCKING PART	1
228	PLASTIC HOSE CLAMP	6
996	LIQUID DETERGENT LEVEL PLATE	1
270	DETERGENT BOX GROUP	1
275	DETERGENT BOX GROUP/HOSE	1
280	DETERGENT BOX GROUP/FULL	1

TFT WIFI JOGDIAL BLDC EXPLODED VIEW

6 - BODY GROUP PARTS

6.1. Exploded View



TFT WIFI JOGDIAL BLDC EXPLODED VIEW

6.2. Spare Part List

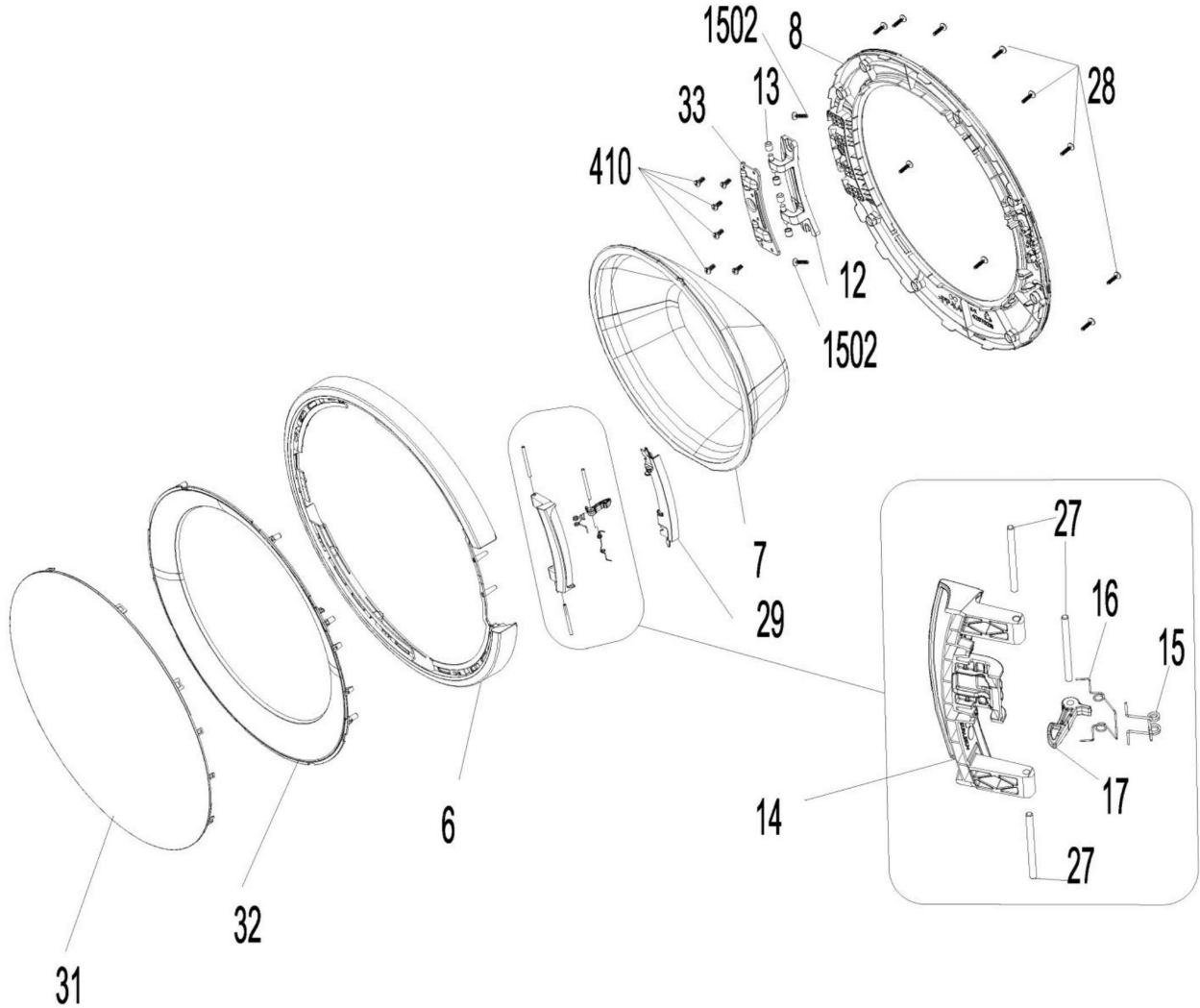
REF. NO	PART NAME	QTY
20	WATER ENTRY HOSE GROUP	1
24	UPPER SUPPORT BRACKET	1
132	CABLE TIE(YKB150)	7
215	EMI FILTER	1
219	DRAIN HOSE	1
220	DRAIN HOSE ROUTER PLASTIC	1
221	HANGER SPRING BRACKET PLS.	2
222	PRESSURE SWITCH MOUNTING CLIP	1
225	ELECTRONIC PRESSURE SENSOR	1
231	SPRING HANGER BRACKET	1
235	DRAIN HOSE HOLDING PLS	4
238	SPEED CONTROL HOLE STOPPER	1
239	POWER CORD GROUP	1
240	TRANSPORT SCREW	4
241	PLAIN WASHER 8,30X29X2	4
242	TRANSPORT SCREW PLASTIC-A-II	4
243	TRANSPORT SCREW PLASTIC-B-II	4
245	TRANSPORT SCREW EPDM	4
249	CABLE HARNESS	1
250	CABLE HARNESS HOLDER PLS	1
251	CABLE HOLDER AND ROUTER PLASTIC-L	1
285	PUMP GROUP	1
290	TRANSPORT SCREW GROUP-II	4
296	CABLE GR	1
331	LOCKING WIRE SADDLE (BLUE)	1
700	TUB HANGER SPRING PART (PLASTIC HOUSING PART BETWEEN TUB AND SPRING HOOK)	2
800	TUB SPRING	2
895	SPRONG HANGER BRACKET GROUP	1
918	PUMP FILTER	1
919	HOSE CLAMP Ø8,6	1
920	FRONT PANEL DROP FIXING PLASTIC-II	4
*929	PUMP PROTECTION FOIL	1
1307	PCB BOX GR BLDC	1
1308	EGO BLDC EARTH CABLE	1
1309	THREAD ROL.SCREW M4X8 PAN H.TORX UN.H.S.	1
1316	EGO BLDC COMMUNICATION	1
1404	HOSE CLAMP	1
1503	ST 4,2X9,5 PAN HEAD W.COL.T.UNDER.SER.EA	2
1504	ISO 7049 ST 4,2X13 TORX	2
1505	ST 4,2X9,5 TRTSB	2
1508	CABLE TIE	1
1511	FRONT PANEL DROP FIXING PLASTIC	2
1513	MALE GROUND TERMINAL(STEEL)	1
1519	BRACKET_BLDC	1
1603	INTERNAL HOSE HOLDER PLASTIC	1

*929 “This spare part is optional and depends on agreed specifications. Therefore you may not find this position number in product’s spare part list.”

TFT WIFI JOGDIAL BLDC EXPLODED VIEW

7 - DOOR GROUP (You can select the door group according to your model)

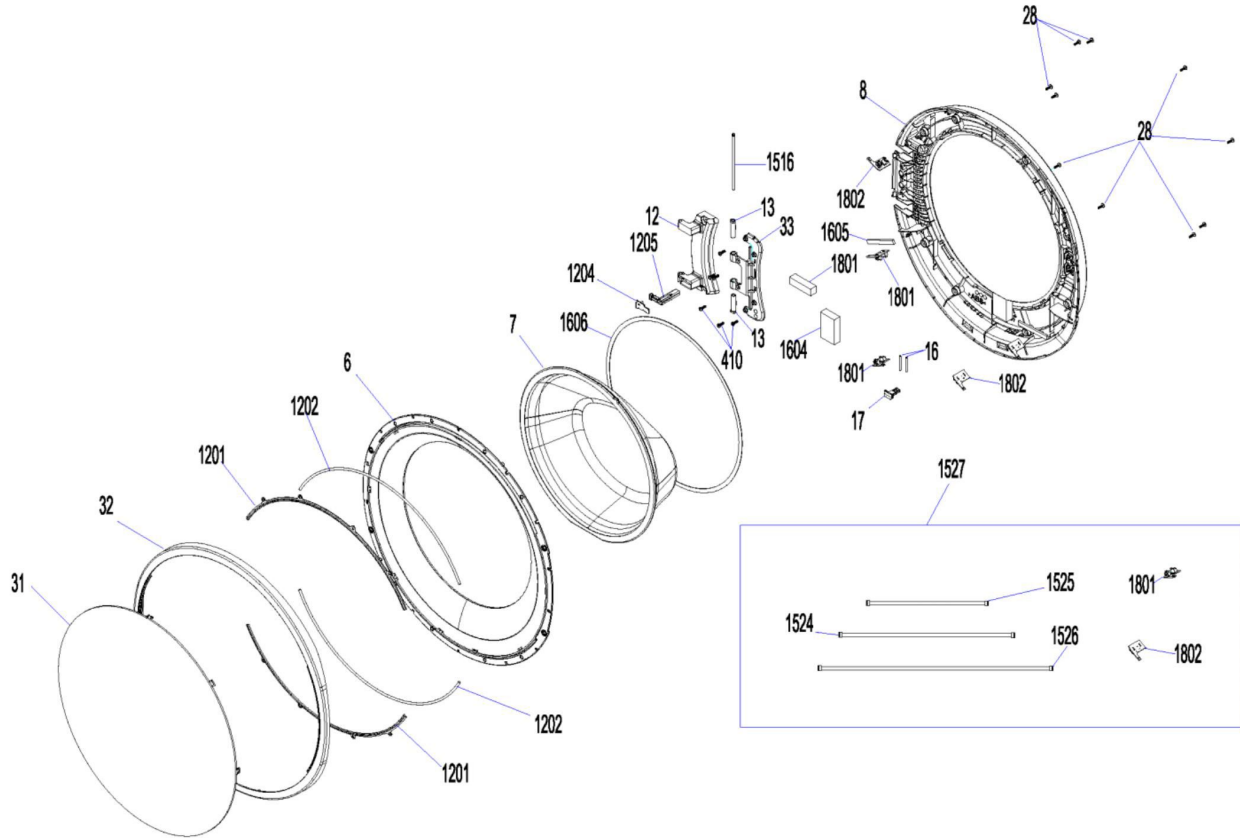
7.1. Exploded View ((Door group with door handle)



NO	PART NAME	QUANTITY
6	OUTER DOOR PLASTIC	1
7	DOOR GLASS	1
8	INNER DOOR PLASTIC	1
12	HINGE	1
13	HINGE BUSH	4
14	DOOR HANDLE	1
15	HOOK SPRING	1
17	DOOR HOOK	1
26	HANDLE SPRING	1
27	HANDLE PIN	3
28	SCREW 3,5X16 PAN HEAD WITH COLLAR UNDER HEAD SERRATED	9
29	OUTER DOOR PLASTIC INSERT PART	1
31	FRONT DOOR COVER	1
32	OUTER DOOR PLASTIC INNER FRAME	1
33	DOOR HINGE SUPPORT SHEET	1
410	SCREW 4X12 PAN HEAD WITH COLLAR UNDER HEAD SERRATED	6
1502	SCREW M5X8 TSB	2
50	PORTHOLE GROUP (all parts)	1

TFT WIFI JOGDIAL BLDC EXPLODED VIEW

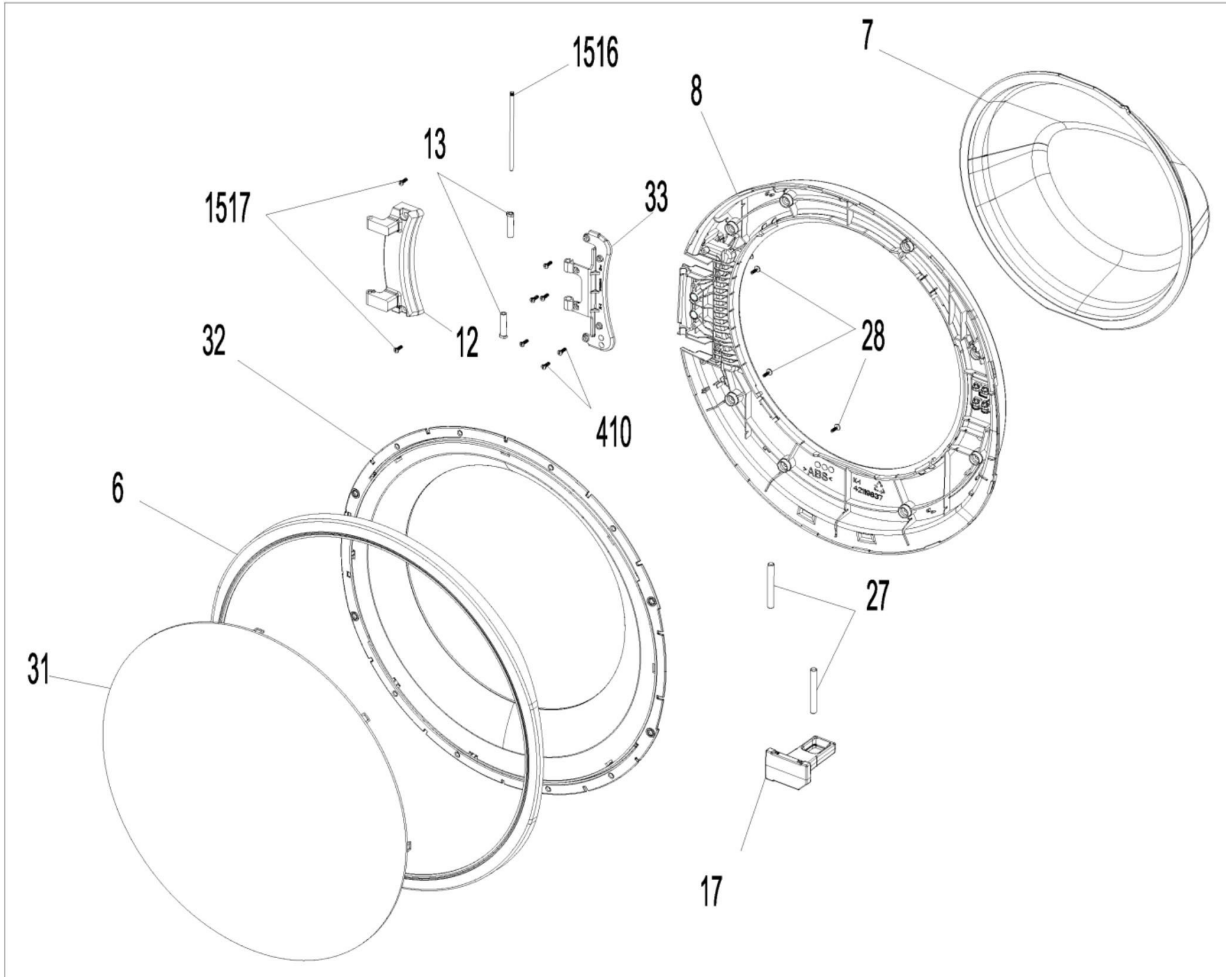
7.2. Exploded View (With Door Light)



POZ NO	PART NAME	QYT
6	BACK PORTHOLE FRAME-D180-V1	1
7	DOOR GLASS/PYTHON	1
8	BACK PORTHOLE FRAME/7.0	1
12	HINGE 5-V1-CHROME	1
13	HINGE BUSHING 4	2
16	DOOR TONGUE PIM D181	1
17	DOOR HOOK/FIXED	1
28	SCREW 3.5X16PAN.HE.WITH COL.CR.RE.UN.HE.	10
31	DOOR FRONT COVER/D180	1
32	FRONT PORTHOLE FRAME-D180-V1	1
33	SUPPORT SHEET D510	1
410	SCREW 4X12 PAN HEAD WITH COLLAR UNDER HE	6
1202	LIGHTGUIDE COVER-D181	2
1203	LIGHTGUIDE D181	2
1204	CABLE ROAD PLS/COVER	1
1205	CABLE ROAD PLS/BODY	1
1516	HINGE PIM D180	1
1524	DOOR LIGHT CABLE 30CM	1
1525	DOOR LIGHT CABLE	1
1526	DOOR LIGHT CABLE 50 CM	2
1527	DOOR LIGHT CABLE GR (1524+1525+1526+1801+1802)	1
1604	DOOR HOOK FOAM D181	1
1605	E.CARD PROTECT FOAM D181	2
1606	DOOR GLASS SUPPORT TAPE D181	1
1607	HINGE SUPPORT FOAM D181	1
1801	DOOR LIGHT LED PCB	2
1802	DOOR LIGHT LED PCB_LEFT	2

TFT WIFI JOGDIAL BLDC EXPLODED VIEW

7.3. Exploded View (Without Door Handle)

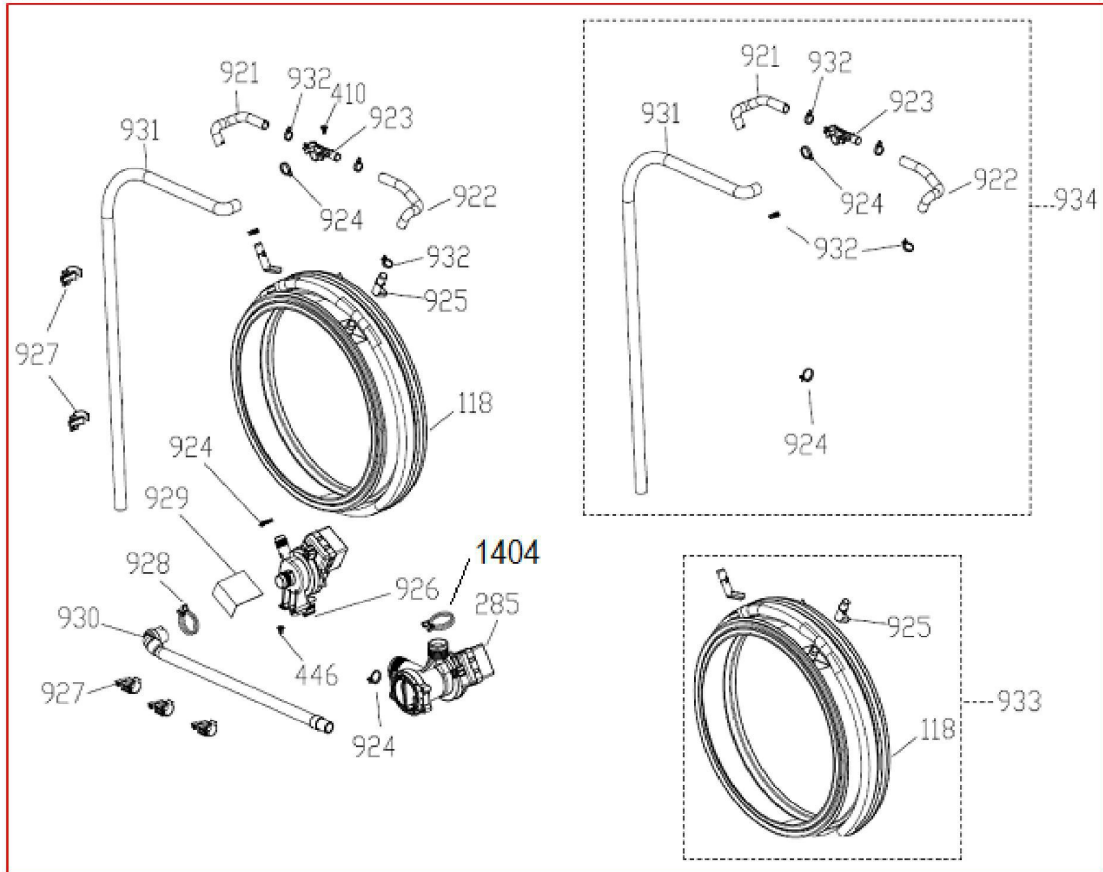


NO	PART NAME	QUANTITY
6	OUTER DOOR PLASTIC	1
7	DOOR GLASS	1
8	INNER DOOR PLASTIC	1
12	HINGE	1
13	HINGE BUSH	4
17	DOOR HOOK	1
27	HANDLE PIN	3
28	SCREW 3,5X16 PAN HEAD WITH COLLAR UNDER HEAD SERRATED	9
31	FRONT DOOR COVER	1
32	OUTER DOOR PLASTIC INNER FRAME	1
33	DOOR HINGE SUPPORT SHEET	1
410	SCREW 4X12 PAN HEAD WITH COLLAR UNDER HEAD SERRATED	6
1516	HINGE PIM	1
1517	SCREW M6X20 TSB SPIRAL FORM	2
50	PORTHOLE GROUP (all parts)	1

TFT WIFI JOGDIAL BLDC EXPLODED VIEW

8 - CIRCULATION GROUP

8.1. Exploded View



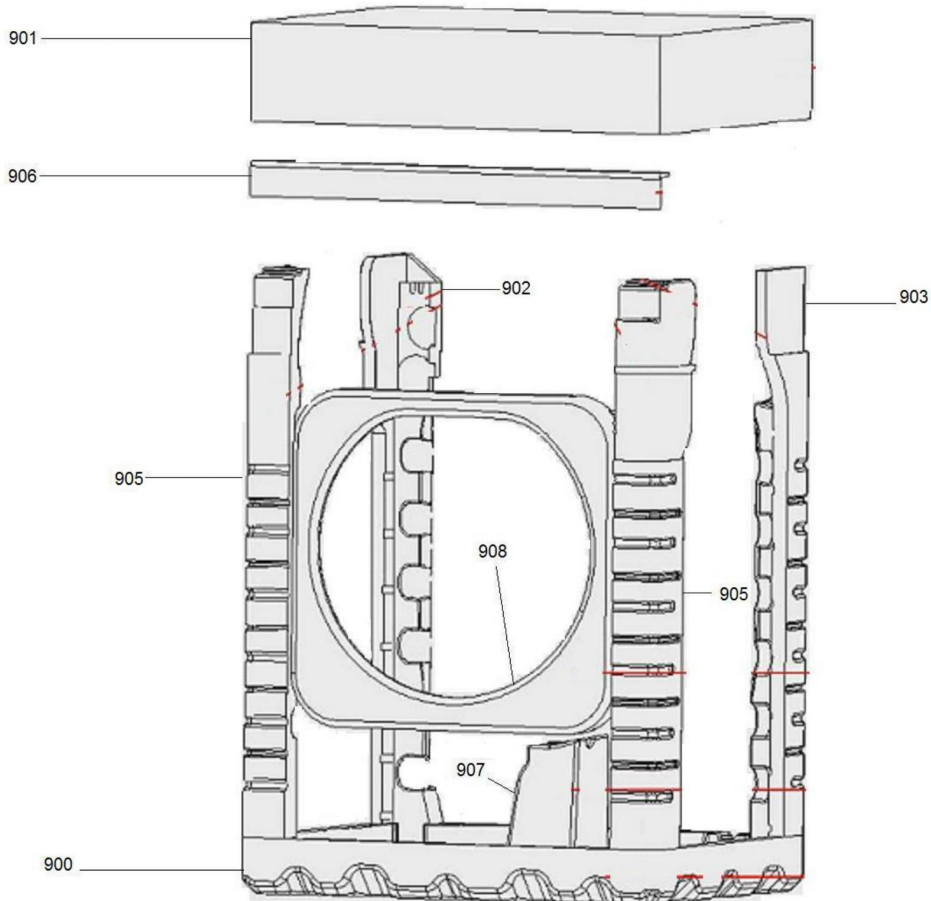
8.2. Spare Part List

NO	PART NAME	QUANTITY
118	TUB BELLOWS SEAL	1
285	PUMP GROUP(FILTER)(THER. PROTECT.)	1
410	SCREW 4X14 PAN HEAD TYPE 2	1
446	ISO 7049 ST 4,2x13 TYPE 2	1
921	TWIN JET HORN/LEFT	1
922	TWIN JET HORN/RIGHT	1
923	TWIN JET T-ELBOW	1
924	HANDCUFFS Ø20.2	3
925	TWIN JET NOZZLE	2
926	CIRCULATION PUMP	1
927	TWIN JET CABLE HOSE HOLDER PLASTIC	5
928	HANDCUFFS Ø26.8	1
929	PUMP PROTECTION FOIL-3	1
930	TWIN JET HOSE_ N NO:1	1
931	TWIN JET HOSE_ H NO:2	1
932	HANDCUFFS Ø15.88	4
933	PYTHON-CIRCULATION TUB GASKET GR	1
934	TWIN_ JET HOSE GROUP	1
1404	HOSE CLAMP Å~35,0	1

TFT WIFI JOGDIAL BLDC EXPLODED VIEW

9 - PACKING GROUP

9.1. Exploded View



9.2. Spare Parts List

NO	PART NAME	QTY
900	BOTTOM STYROFOAM	1
901	TOP CARTON	1
902	REAR STYROFOAM(LEFT)	1
903	REAR STYROFOAM(RIGHT)	1
905	FRONT STYROFOAM RIGHT - LEFT	1
906	CORNER CARDBOARD	1
907	TUB SUPPORT STYROFOAM	1
908	PORTHOLE PRO. STYROFOAM	1
909	PACKAGE CARTON	1

**** 909 - "This spare part is optional and depends on agreed specifications. Therefore you may not find this position number in product's spare part list."**

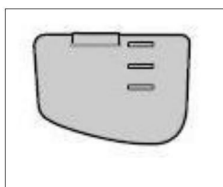
**** 908 "This spare part is optional and depends on agreed specifications. Therefore you may not find this position number in product's spare part list."**

TFT WIFI JOGDIAL BLDC EXPLODED VIEW

10. ACCESSORIES



995



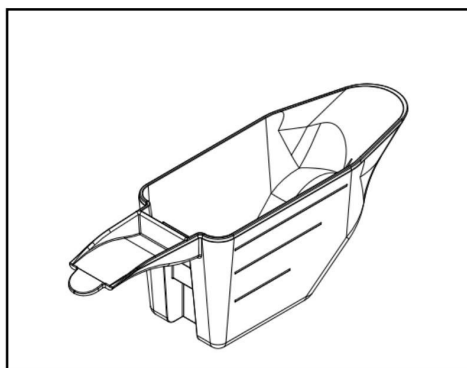
996



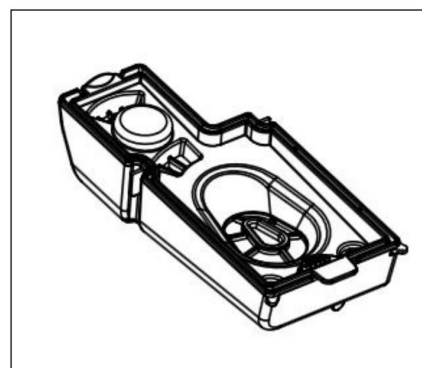
997



998



1900



1901

NO	PART NAME	QUANTITY
995	ENERGY LABEL	1
**996	LIQUID DETERGENT LEVEL PLATE	1
**997	DRAIN HOSE COAT RACK	1
998	TRANSPORT SCREW STOPPER	4
**1900	DETERGENT POWDER SCALE	1
**1901	LIQUID DET. RESERVOIR	1

**** 996 - 997 – 1900 - 1901 "This spare part is optional and depends on agreed specifications. Therefore you may not find this position number in product's spare part list."**